

Specifications

Specifications and appearance are subject to change without notice.

Vertical tilt range	+5° (upward), -17° (downward)
Horizontal tilt range	±2.5°
Panning range	±1.2°
External dimensions	Width 350 mm [13 25/32 in] Height 420 mm-540 mm [16 17/32 in-21 17/64 in] Length 535 mm [21 1/16 in]
Weight	Approx.13.6 kg (29.2 lbs) ¹
Compatible projectors	GroupA: PT-RQ25K/PT-RQ18K/PT-RZ24K/PT-RZ17K GroupB: PT-RQ22K/PT-RZ21K/PT-RS20K/PT-RZ16K GroupC: PT-RQ13K/PT-RZ12K/PT-RS11K

¹ Average value. May differ depending on the actual unit.

<Structural components>ET-PKD520H

- | | | | | | |
|---------------------------------|---|----------------------------------|---|---|----|
| • Attachment plate | 1 | • Pole brace1 | 1 | • Flat washer (M6) | 2 |
| • Adjustment pole1 | 1 | • Pole brace2 | 1 | • Hex head bolt (M6) | 1 |
| • Adjustment pole2 | 1 | • pole base | 1 | • Hex head bolt, captive washer (M6 x 16) ... | 32 |
| • Angle adjusting bracket | 1 | • Hex head bolt (M6 x 110) | 1 | • Hex head bolt, captive washer (M8 x 20) ... | 4 |
| | | • Spring washer (M6) | 1 | | |

<Structural components>ET-PKD521B

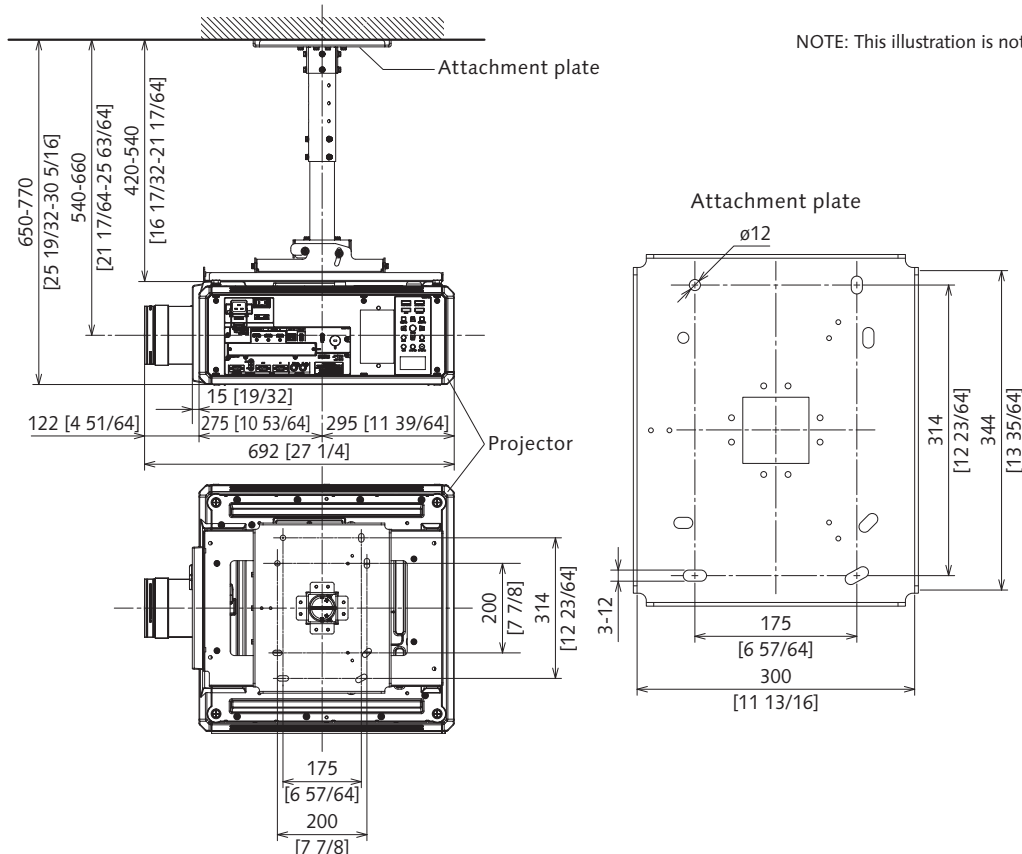
- Projector Mount Bracket
- Hex head bolt, captive washer (M6 x 16) ...
- Hex head bolt, captive washer (M10 x 40) ...
- Wire rope

Caution

- Installation work should only be carried out by the certified personnel.
- Do not install in a location that is not strong enough.
- Read the "Installation Instructions" thoroughly and then perform the operation correctly and safely.
- When tightening up the screws, use a tool such as a torque screwdriver or torque wrench.
Do not use electric screwdrivers or impact screwdrivers.
- If products are no longer being used, they should be dismantled and removed by the certified personnel as soon as possible.

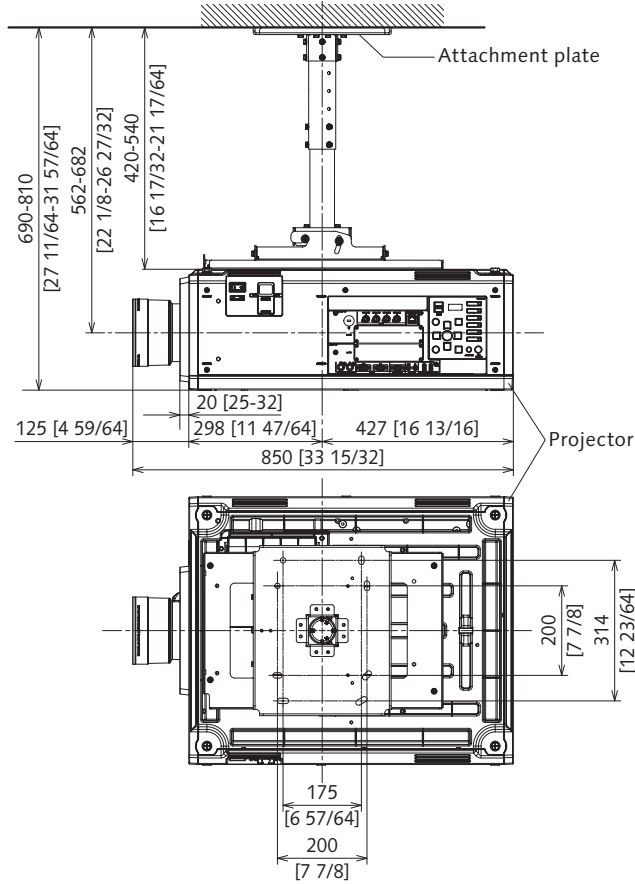
Dimensional relationship diagram

The illustration shows the ET-PKD520H ceiling mount bracket mounted on Group A projectors (PT-RQ25K/PT-RQ18K/PT-RZ24K/PT-RZ17K).



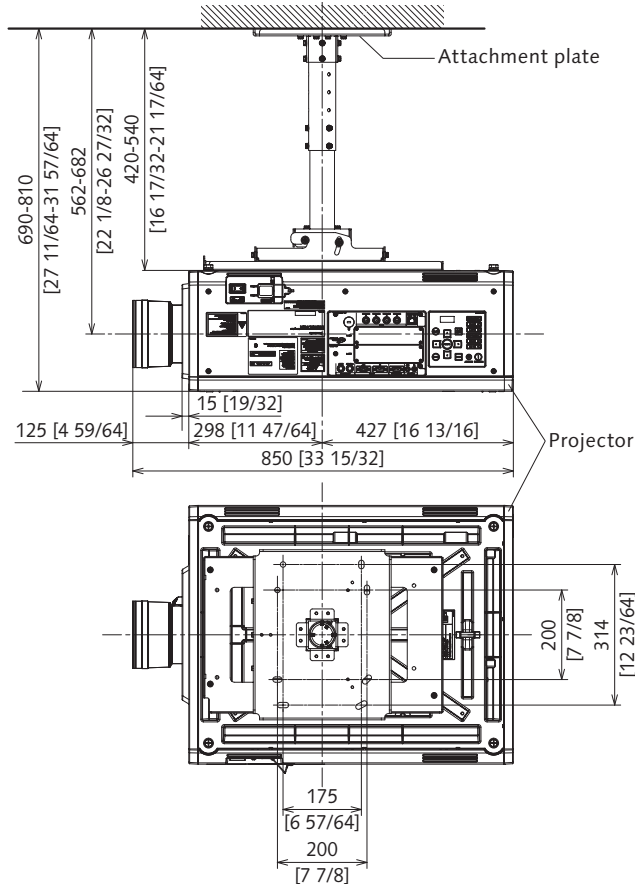
ET-PKD520H/ET-PKD521B

The illustration shows the ET-PKD520H ceiling mount bracket mounted on Group B projectors (PT-RQ22K/PT-RZ21K/PT-RS20K/PT-RZ16K)



unit : mm [inch]
NOTE: This illustration is not drawn to scale.

The illustration shows the ET-PKD520H ceiling mount bracket mounted on Group C projectors (PT-RQ13K/PT-RZ12K/PT-RS11K)



unit : mm [inch]
NOTE: This illustration is not drawn to scale.