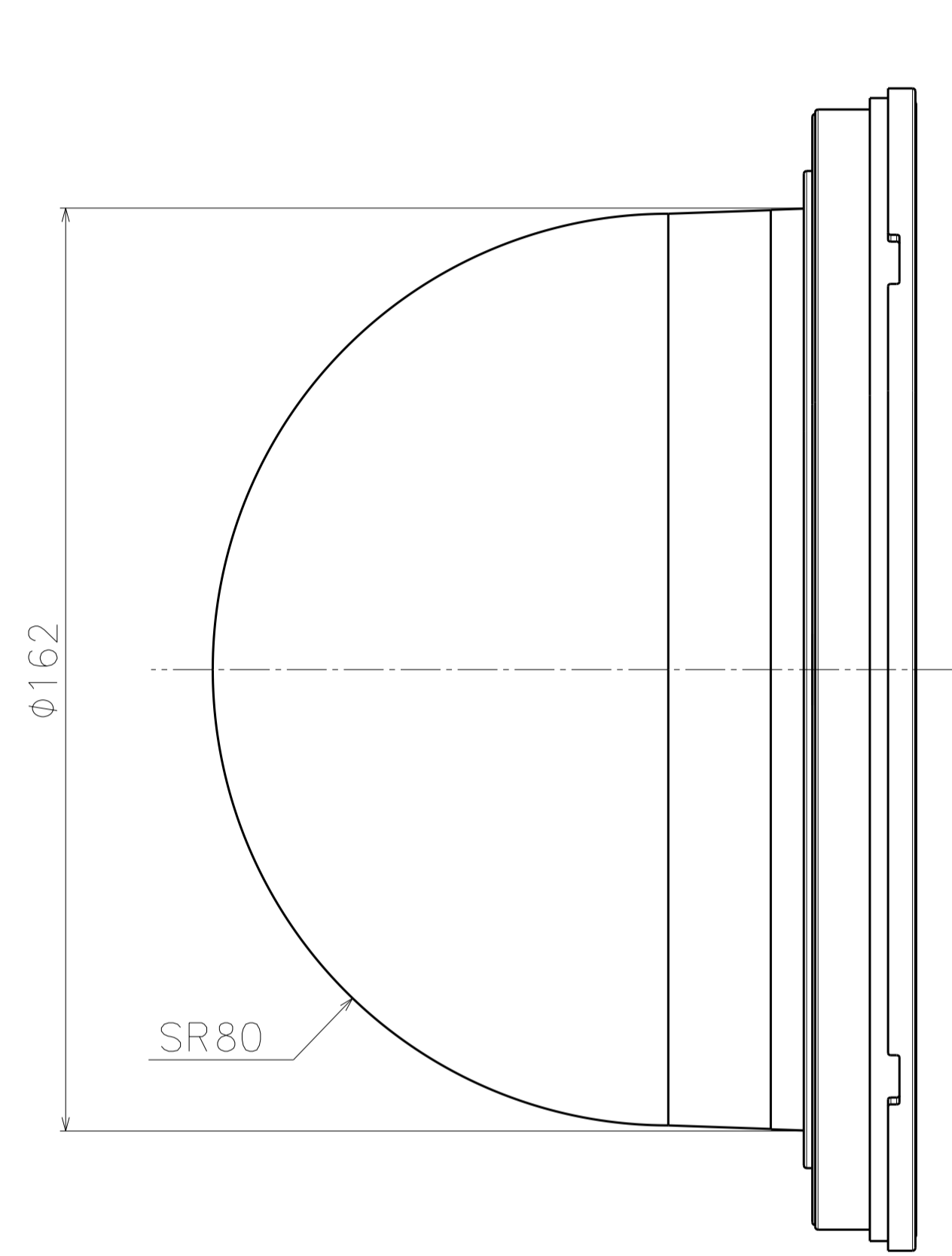
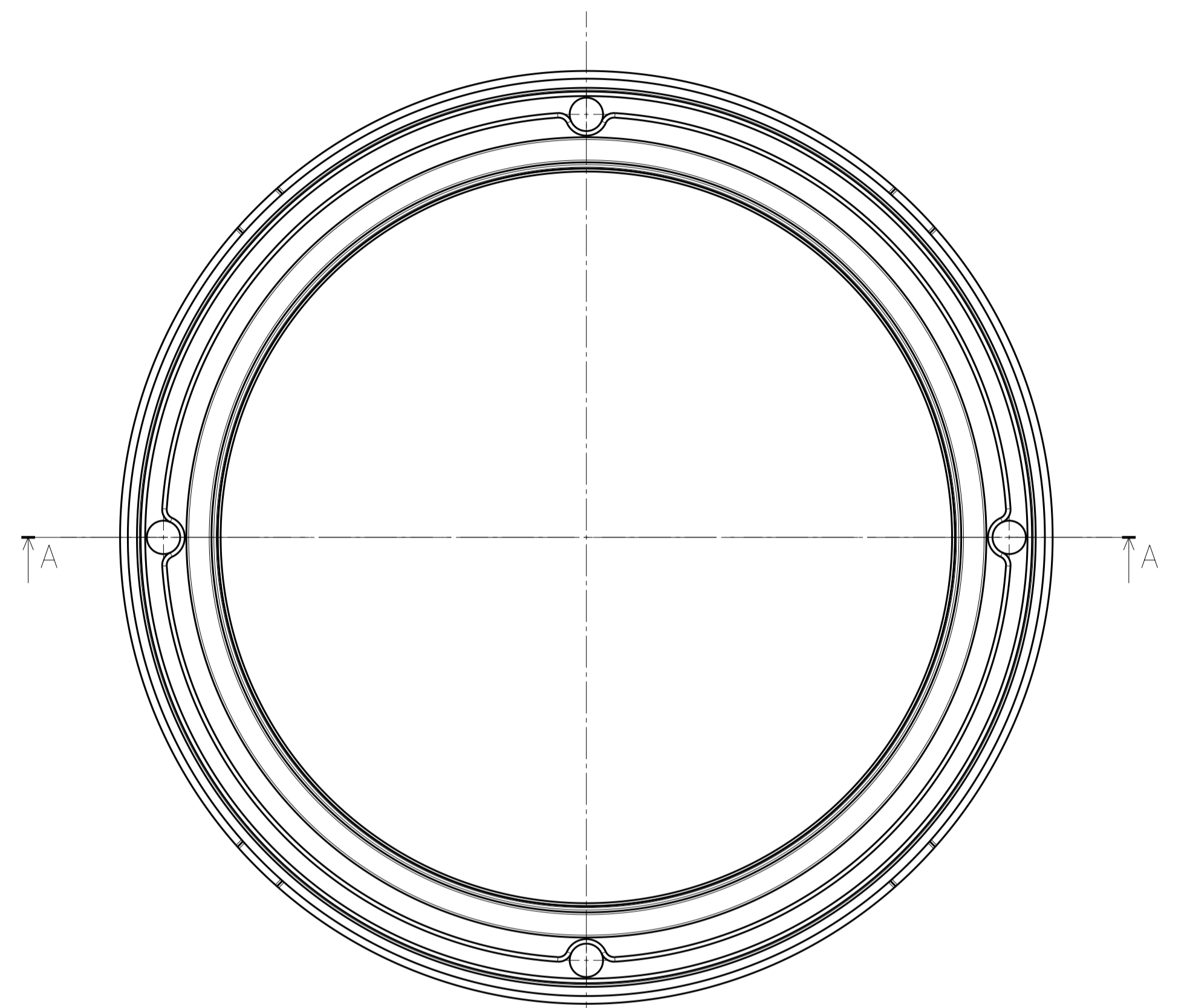
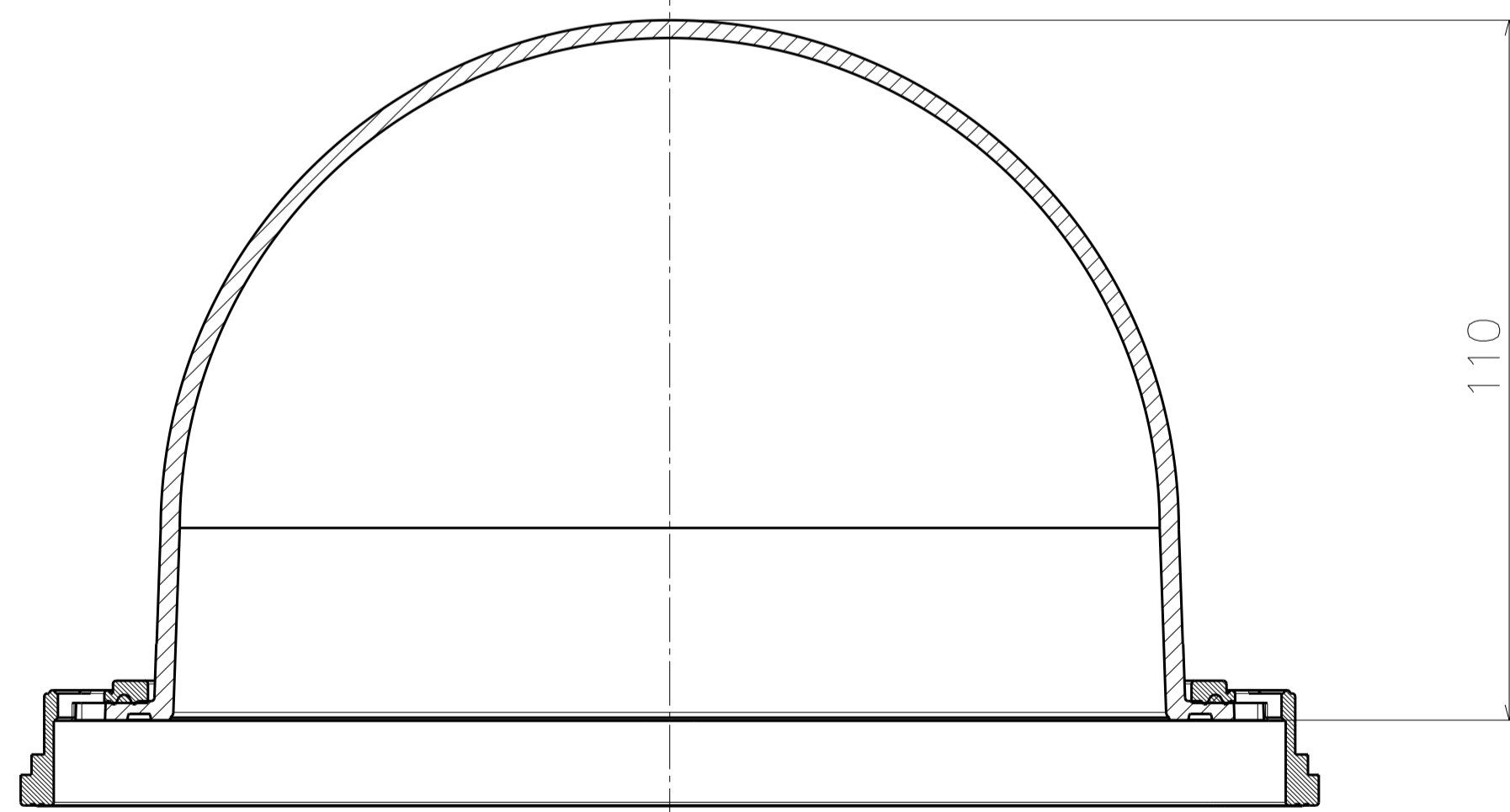
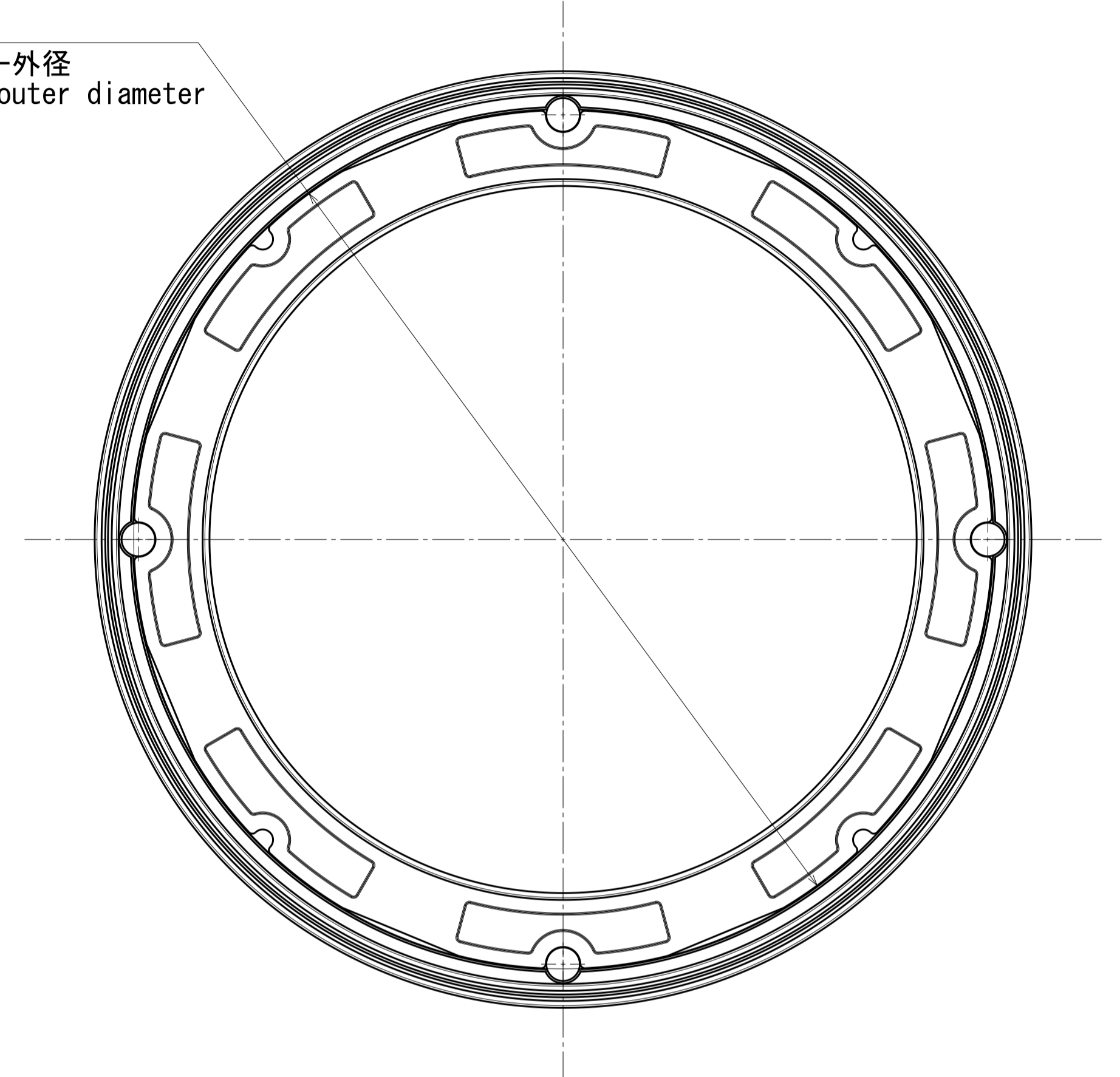


本図は付属の防水ラバーを含めた図である
This figure includes the attached waterproof rubber.



$\phi 187$
ドームカバー外径
Dome cover outer diameter



Sec A-A

Mass : Approx. 215 g {0.47 lbs} (Does not include waterproof rubber)
Approx. 276 g {0.61 lbs} (Including Waterproof rubber)