

PoE injector compliant with industry standards

60W Single Port Power over Ethernet

Gigabit support

Over-voltage/current protection functions

Key Features

1. Compliant with industry standards

- IEEE802.3bt/at/af

2. PoE power supply capabilities up to 60W with RJ45 models

3. Installation improvement

- A single cable to supply power and data. 100 to 240 V electrical installation qualifications is not required.

Key i-PRO Spec.

- Compliant with IEEE802.3bt Standard
- Limited Power Source
- Compliant with Phihong Proprietary 12.5K Detection
- Single Source 4 Pair Power Current Sharing
- Non-Vented Case
- Broken Wire Detection
- 4 Pair Powering +3,6,4,5 / - 1,2,7,8
- Gigabit Compatible
- Full Protection OVP, OCP

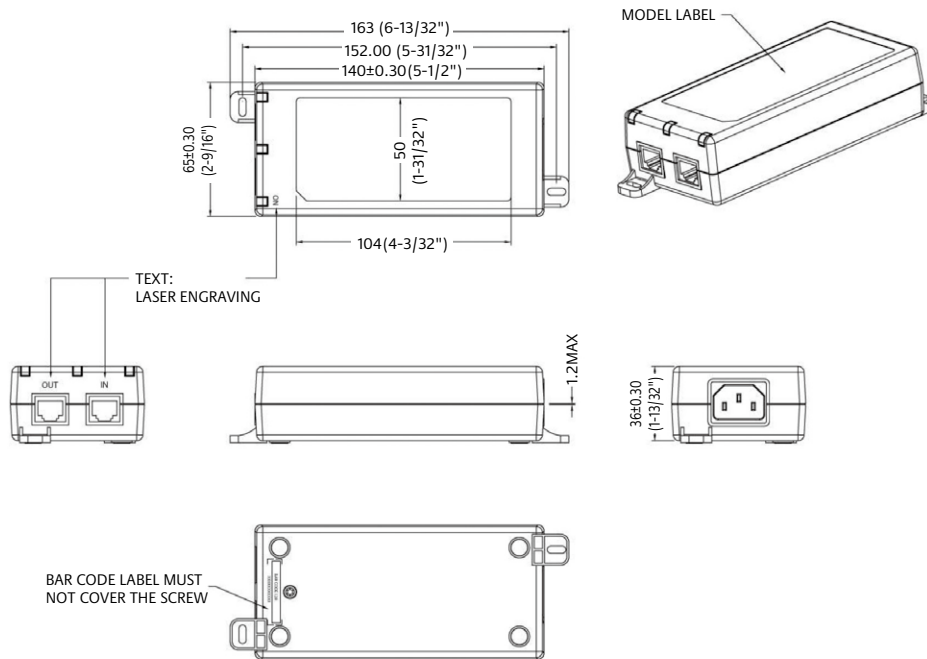


Specifications

General	Safety	UL (UL62368-1), c-UL (CSA C22.2 No.62368-1), CE, IEC62368-1	
	Power source	100 to 240 V AC (50 Hz/60 Hz)	
	AC Input Current	2.0 A (RMS) max for 90 V AC 1.2 A (RMS) max for 240 V AC	
	Output power consumption	56 V DC: Approx. 1.07A / 60 W (Combined output on data pairs and spare pairs.)	
	Ambient operating temperature	60 W output: -10 °C to +40 °C {14 °F to 104 °F} 30 W output: -10 °C to +50 °C {14 °F to 122 °F}	
	Ambient operating humidity	10 % to 90 % (no condensation)	
	Storage temperature	-20 °C to +65 °C {-4 °F to +149 °F}	
	Storage humidity	10 % to 90 % (no condensation)	
	Dimension	65 mm (W) × 36 mm (H) × 163 mm (D) {2-9/16 inches (W) × 1-13/32 inches (H) × 6-13/32 inches (D)} (excluding cord and plug)	
	Mass	Approx. 300 g {0.66 lbs}	
	Finish	PC/ABS resin, Matte black	
	Network	Network I/F	10BASE-T/100BASE-TX/1000BASE-T, RJ45 connector (×2) Compliant with IEEE802.3bt/at/af Standard
	Indicator	LED Indicator	LED indicator (×1)
Standard Accessories		Operating Instructions Power cord (A type) 1pc.	

Appearance

Unit : mm (inches)



Trademarks and registered trademarks

- All other trademarks identified herein are the property of their respective owners.

Important

- Safety Precautions : Carefully read the Basic Information, Installation Guide and Operating Instructions before using this product.
- i-PRO Co., Ltd. cannot be held responsible for the performance of the network and/or other manufacturers' products used on the network.

• Masses and dimensions are approximate. • Specifications are subject to change without notice.