

## New U-series compact network camera with enhanced functions and affordability

# 2MP (1080p) Outdoor Dome Network Camera

The new U series is an entry model that achieves high quality and reliability at an affordable price to meet the needs of a wide range of customers. The compact and slim design allows it to be installed in a various locations.

It newly supports ONVIF G / S / T profile and H.265 / H.264, and can be widely used for connecting various VMS and recorders. It also comes pre-installed with secure certificates, enabling device authentication and end-to-end communication encryption to counter the threat of advanced cyberattacks.

### Key features

- Compact and slim design allows installation in various locations
- Compliant with ONVIF G / S / T profile and H.265 / H.264, and can support a wide range of connections to VMS and recorders
- Uses "Easy Kitting Packing" that allows you to set the camera without removing it from the box
- Strengthen cyber security by pre-installing digital certificates issued by a third party organization (GlobalSign)

### Key i-PRO Spec.

- 2MP (1080p) up to 30fps
- iA (intelligent Auto)
- Super Dynamic 120dB
- Color night vision (0.006 to 0.1 lx)
- H.265 Smart Coding
- Corridor mode  
(90 degrees or 270 degrees in image rotation)
- Built-in IR LED
- ONVIF® Profile G / S / T  
\*ONVIF is a trademark of ONVIF, Inc.
- Genetec Stratocast compatible

### Industry examples

- Safe Cities
- Transportation (Airport / Train, Subway station)
- Bank (ATM, Entrance)
- Retail / Logistics / Education / Hospital / Building



# Specifications

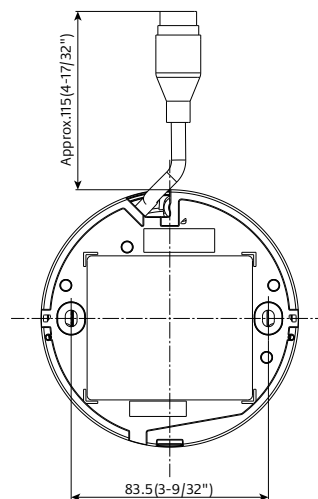
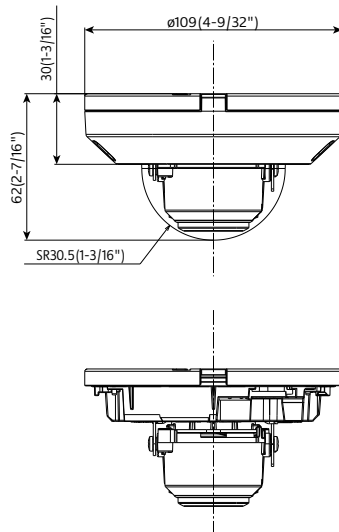
<b>Camera</b>	Image Sensor	Approx. 1/3 type CMOS image sensor					
	Minimum Illumination	Color : 0.1 lx, BW: 0.04 lx (50IRE, F2.0, Maximum shutter: Off (1/30s), AGC: 11) BW : 0 lx (50IRE, F2.0, Maximum shutter: Off (1/30 s), AGC: 11, when the IR LED is lit) Color : 0.006 lx, BW: 0.0025 lx (50IRE, F2.0, Maximum shutter: max. 16/30s, AGC: 11) *1					
	White Balance	ATW1/ ATW2/ AWC					
	Maximum shutter	<b>[30fps mode]</b> Max. 1/10000 s to Max. 16/30 s <b>[25fps mode]</b> Max. 1/10000 s to Max. 16/25 s					
	Intelligent Auto	On / Off					
	Super Dynamic	On / Off, The level can be set in the range of 0 to 31.					
	Dynamic Range	Max.120 dB (Super Dynamic: On, Level: 31)					
	Adaptive Black Stretch	The level can be set in the range of 0 to 255.					
	Back light compensation / High light compensation	BLC (Back light compensation) / HLC (High light compensation) / Off The level can be set in the range of 0 to 31. (only when Super Dynamic / Intelligent auto: Off)					
	Fog compensation	On / Off, The level can be set in the range of 0 to 8. (only when Intelligent auto / auto contrast adjust: Off)					
	Maximum gain (AGC)	The level can be set in the range of 0 to 11.					
	Color/BW (ICR)	Off/ On (IR Light Off) / On (IR Light On) / Auto1 (IR Light Off) / Auto2 (IR Light On) / Auto3 (SCC)					
	IR LED Light	High/ Middle/ Low/ Off Maximum irradiation distance: 30 m (Approx. 100 ft)					
	Digital Noise Reduction	The level can be set in the range of 0 to 255.					
	Video Motion Detection (VMD)	On / Off, 4 areas available					
	Scene Change Detection (SCD)	On / Off, 1 area available					
	Privacy Zone	On / Off, Up to 8 zones available					
	VIQS	On / Off, Up to 8 zones available					
	Image rotation *2	0° (Off) / 90° / 180° (Upside-down) / 270°					
	Camera Title (OSD)	On / Off, Up to 20 characters (alphanumeric characters, marks)					
<b>Lens</b>	Focal length	3.2 mm (1/8 inches)					
	Optical zoom	1x					
	Extra zoom	1.0x - 1.5x (when resolution is 1280x720)					
	Digital (electronic) zoom	Choose from 3 levels of x1, x2, x4					
	Angular Field of View	<b>[16 : 9 mode]</b> Horizontal : 97°, Vertical : 53° <b>[ 4 : 3 mode]</b> Horizontal : 71°, Vertical : 53°					
	Maximum Aperture Ratio	1 : 2.0					
Focus range	1 m (39-3/8 inches) - ∞						
<b>DORI</b>	Detect (25ppm / 8ppf)	37.5 m / 122.9 ft					
	Observe (62.5ppm / 19ppf)	15.0 m / 49.2 ft					
	Recognize (125ppm / 38ppf)	7.5 m / 24.6 ft					
	Identify (250ppm / 76ppf)	3.7 m / 12.3 ft					
<b>Adjusting Angle</b>		Horizontal (PAN) angle: -175 °~ +175 °, Vertical (TILT) angle: -30 °~ +80 ° Azimuth (YAW) angle: ±100°					
<b>Browser GUI</b>	Camera Control	Brightness					
	GUI / Setup Menu Language	English, Italian, French, German, Spanish, Portuguese, Russian, Chinese, Japanese					
<b>Network</b>	Network IF	10Base-T / 100Base-TX, RJ45 connector					
	Resolution H.265/H.264	<b>[16 : 9 mode]</b> 1920×1080, 1280×720, 640×360, 320×180 <b>[ 4 : 3 mode]</b> 1600×1200, 1280×960, VGA, QVGA					
	H.265/ H.264	Transmission Mode Constant bit rate / VBR / Frame rate / Best effort					
	H.264	Transmission Type Unicast port(AUTO) / Unicast port(MANUAL) / Multicast					
		Max. frame rate for each stream *3	<b>Stream(1)</b>	<b>Stream(2)</b>	<b>Stream(3)</b>	<b>JPEG(1)</b>	<b>JPEG(2)</b>
			1920x1080(30fps)	640x360(30fps)	Off	1920x1080(1fps)	1280x720(1fps)
		1280x720(30fps)	1280x720(30fps)	Off	1920x1080(1fps)	1280x720(1fps)	
		1600x1200(30fps)	640x480(30fps)	Off	1600x1200(1fps)	1280x960(1fps)	
JPEG	Image Quality	10 steps					

<b>Network</b>	Smart Coding	<b>GOP(Group of pictures) control:</b> On(Frame rate control) / On(Advanced) / On(Mid.) / On(Low) / Off *Frame rate control and Advanced are only available with H.265. <b>AUTO VIQS: On / Off</b>	
	Audio Compression	—	
	Audio transmission mode	—	
	Supported Protocol	IPv6 : TCP/IP, UDP/IP, HTTP, HTTPS, SSL/TLS, SMTP, DNS, NTP, SNMPv1/v2/v3, DHCPv6, RTP, MLD, ICMP, ARP, IEEE 802.1X, DiffServ, MQTT*4, LLDP*4 IPv4 : TCP/IP, UDP/IP, HTTP, HTTPS, SSL/TLS, RTSP, RTP, RTP/RTCP, SMTP, DHCP, DNS, DDNS, NTP, SNMPv1/v2/v3, UPnP, IGMP, ICMP, ARP, IEEE 802.1X, DiffServ, MQTT*4, LLDP*4	
	No. of Simultaneous Users	Up to 14 users (Depends on network conditions)	
	SDXC/SDHC/SD Memory Card	H.265/H.264 recording: Manual REC / Alarm REC (Pre/Post) / Schedule REC Compatible SDXC/SDHC/SD Memory Card : microSDXC memory card: 64 GB, 128 GB, 256 GB, 512 GB microSDHC memory card: 4 GB, 8 GB, 16 GB, 32 GB microSD memory card: 2 GB	
	Mobile Terminal Compatibility	iPad, iPhone, Android™ terminals	
	ONVIF® Profile	G / S / T	
	<b>Alarm</b>	Alarm Source	VMD alarm, SCD alarm, Command alarm
		Alarm Actions	SDXC/SDHC/SD memory recording, E-mail notification, HTTP alarm notification, Indication on browser, TCP alarm notification output
<b>Input/ Output</b>	Monitor Output(for adjustment)	—	
	Audio input	—	
	Audio Output	—	
	External I/O Terminals	—	
<b>General</b>	Safety	UL (UL60950-1), c-UL (CSA C22.2 No.60950-1), CE, IEC60950-1	
	EMC	FCC (Part15 ClassA), ICES003 ClassA, EN55032 ClassB, EN55024	
	Power Source and Power Consumption	PoE (IEEE802.3af compliant) Device: DC48 V 100 mA, Approx. 4.8 W (Class 2 device)	
	Ambient Operating Temperature	-30 °C to +50 °C (-22 °F to +122 °F) {Power On range: -20 °C to +50 °C (-4°F to +122 °F)}	
	Ambient Operating Humidity	10 to 100 % (no condensation)	
	Anti-Condensation System	Temish element	
	Water and Dust Resistance*5	IP66 (IEC 60529), Type 4X (UL50E), NEMA 4X compliant	
	Shock Resistance	IK10 (IEC 62262)	
	Wind Resistance	Up to 40 m/s {approx. 89 mph}	
	Dimensions	ø109 mm (W) x 62 mm (H) {ø4-9/32 inches x 2-7/16 inches (H)} Dome radius 30.5 mm (1-3/16 inches)	
	Mass (approx.)	270 g (0.60 lbs)	
	Finish	Main body : Aluminum die cast / Polycarbonate resin, i-PRO white Outer fixing screws : Stainless steel (Corrosion-resistant treatment) Dome cover : Polycarbonate resin, Clear	

\*1 Converted value  
\*2 When "4:3(30fps mode)" or "4:3(25fps mode)" is selected for "Image capture mode", "90 °" and "270 °" cannot be selected.  
\*3 Smart Coding (GOP and AUTO VIQS) is not available when setting 30fps.  
\*4 It may be necessary to upgrade the firmware to use these protocols.  
\*5 Only when installation work is properly performed according to the Installation Guide and appropriate waterproof treatment is performed.








# Appearance

Unit : mm (inches)



## Optional Accessories

### Mount Bracket / Other

		WALL		POLE	CORNER
		1	2	1	1
combination	Wall Mount Bracket <b>WV-QWL500-W</b> (White) 	Base bracket <b>WV-QJB502-W</b> (White) 	Pole Mount Bracket <b>PAPM4W</b> (White) 	Corner Mount Bracket <b>PACA4W</b> (White) 	
	Adapter Box <b>WV-QJB500-W</b> (White)  *If needed.	/	Wall Mount Bracket <b>WV-QWL500-W</b> (White) (+ WV-QJB500-W) 	Wall Mount Bracket <b>WV-QWL500-W</b> (White) (+ WV-QJB500-W) 	

		HANGING	CEILING	DOUBLE/OCTAGON GANG BOX
		1	1	1
combination	Ceiling Mount Bracket <b>WV-QCL101-W</b> *1 (White)  *For indoor installation only.	Base bracket <b>WV-QJB502-W</b> (White) 	Gangbox Adapter <b>WV-QAT502-W</b> (White) 	
	This bracket requires 1 1/2" NPT pipe.			

\*1: It's possible to be used on the camera side and ceiling side. If used on both side, 2pieces are required.

### Dome Cover



#### Trademarks and registered trademarks

- iPad and iPhone are trademarks of Apple Inc., registered in the U.S. and other countries.
- Android is a trademark of Google LLC.
- ONVIF is a trademark of ONVIF, Inc.
- All other trademarks identified herein are the property of their respective owners.

#### Important

- Safety Precautions : Carefully read the Basic Information, Installation Guide and Operating Instructions before using this product.
- i-PRO Co., Ltd. cannot be held responsible for the performance of the network and/or other manufacturers' products used on the network.

• Masses and dimensions are approximate. • Specifications are subject to change without notice.