

How to adjust the angle of view

There are 2 ways to make adjustment;
“Automatically adjust” and “Manually adjust”.

* PGQW2303YA *

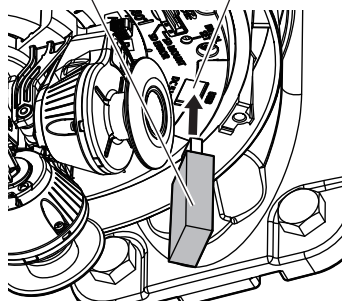
avs0221-1031
Printed in China

Preparation for adjustment

[1] Turn on the power of the camera.

[2] Insert the Wi-Fi USB adapter (locally procured) to the USB terminal (for installation constructor).

Wi-Fi USB adapter
USB terminal (for installation constructor)



Be sure to use a Wi-Fi USB adapter that is checked its operability by us. Refer to the our support website <Control No.: C0114> for operation check information of Wi-Fi USB adapter.

- When not using the Wi-Fi USB adapter (when adjusting using a PC directly connected with an Ethernet cable), download and launch the IP Setting Software and connect to the network by following information described on our support website <Control No.: 0123>.

Display the “Easy Installation” tab of “Easy Setup” from the menu of the camera and then go to “Adjustment (Auto)” (Below) or “Adjustment (Manual)” (Below on the right).

[3] Select “Wi-Fi” from the setting of a tablet or smart phone and then connect with the Wi-Fi USB adapter attached to the camera.

Refer to the manual of the Wi-Fi- USB adapter and device in use for how to connect them.

SSID : “Product No._Serial No. of the camera”

Password : “cam_” + “Serial No. of the camera”

[4] Launch the browser on a tablet or smart phone and then enter the following URL to connect with the camera.
http://192.168.12.10

If access to http://192.168.12.10 fails, try http://10.0.0.10.

In case of “Automatically adjust” ⇒ Go to “Adjustment (Auto)” (Below on the left)

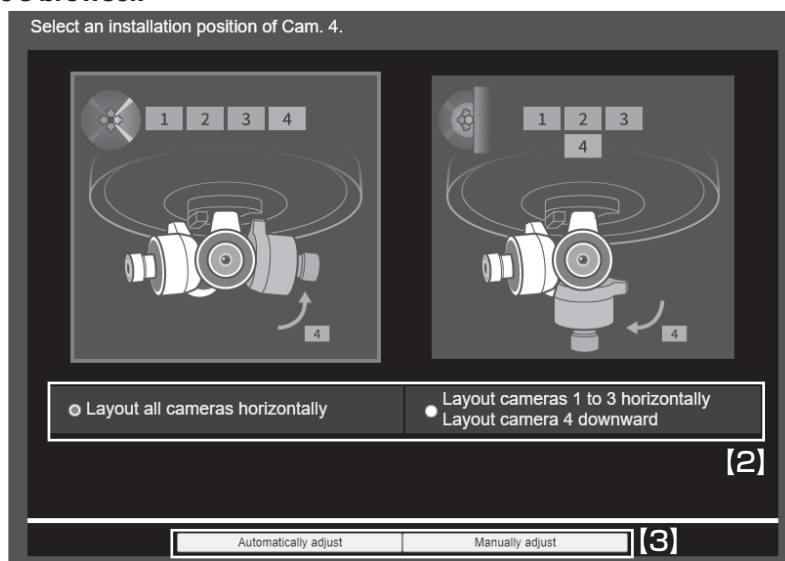
* It can be used only when the vertical (TILT) angle of the camera capturing images horizontally is the most upward angle (80°). Otherwise, adjust manually.

* Refer to our support website <Control No.: C0129> for further information.

In case of “Manually adjust” ⇒ Go to “Adjustment (Manual)” (Below)

Adjustment (Auto)

[1] The initial screen of the camera will be displayed on the tablet’s or smart phone’s browser.



[2] Select a layout of cameras.

Layout all cameras horizontally (hereinafter referred to as “horizontal layout”):

Select when installing the camera 4 horizontally in order to shoot the surrounding widely.

Layout cameras 1 to 3 horizontally/ Layout camera 4 downward (hereinafter referred to as “horizontal + downward layout”):

Select when installing the camera 4 facing downward in order to shoot the surrounding and below. Flips only images of camera 4 vertically.

Note:

- Due to effectiveness of the ClearSight coating, drops are likely to be accumulated right under the camera and it may cause a partial distortion of the video. Refer to our support website <Control No.: C0130> for further information.

[3] Click the [Automatically adjust] button.

[4] When the following screen is displayed, select a shooting range.

Note:

- When the [Back] button is pressed, the screen will return to the previous setup screen.

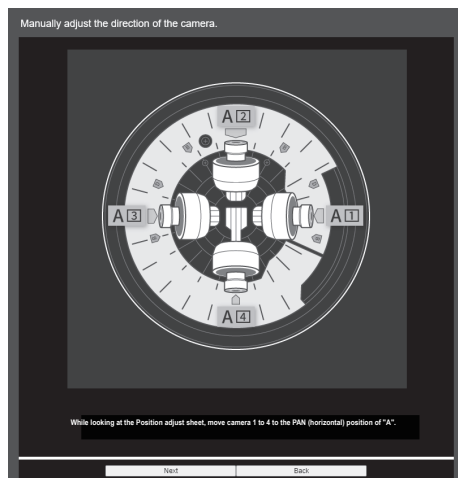


When selecting “horizontal layout”

When selecting “horizontal + downward layout”

[5] Click the [Next] button.

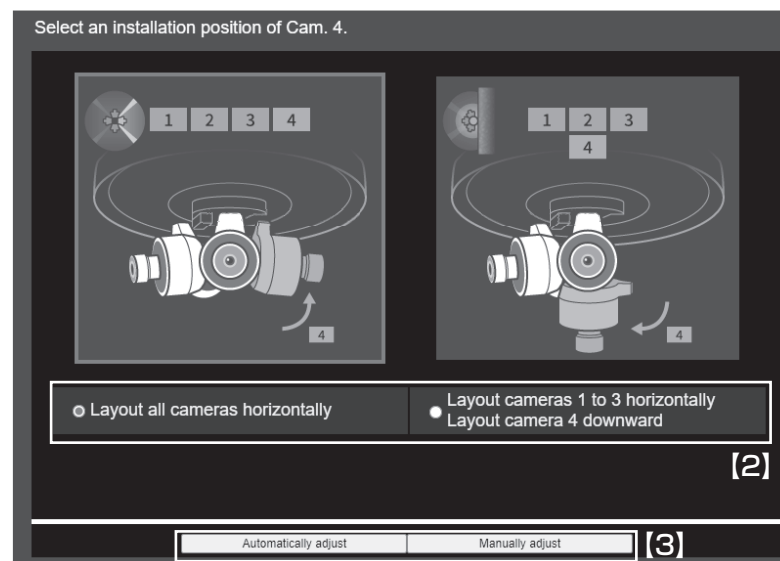
The following window will be displayed. (When selecting “horizontal layout” and then “Shoot a 360° range.”)



⇒ Go to “Adjustment (Auto) continued” (left side on the back)

Adjustment (Manual)

[1] The initial screen of the camera will be displayed on the tablet’s or smart phone’s browser.



[2] Select a layout of cameras.

Layout all cameras horizontally (hereinafter referred to as “horizontal layout”):

Select when installing the camera 4 horizontally in order to shoot the surrounding widely.

Layout cameras 1 to 3 horizontally/ Layout camera 4 downward (hereinafter referred to as “horizontal + downward layout”):

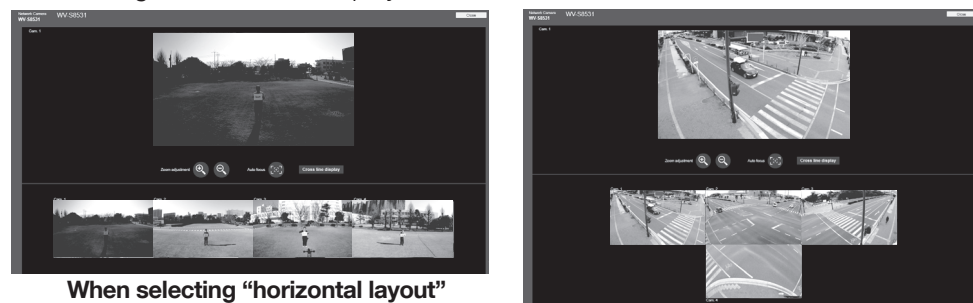
Select when installing the camera 4 facing downward in order to shoot the surrounding and below. Flips only images of camera 4 vertically.

Note:

- Due to effectiveness of the ClearSight coating, drops are likely to be accumulated right under the camera and it may cause a partial distortion of the video. Refer to our support website <Control No.: C0130> for further information.

[3] Click the [Manually adjust] button.

The following screen will be displayed.



When selecting “horizontal layout”

When selecting “horizontal + downward layout”

[4] Adjust the angle of the camera.

- ① When “horizontal + downward layout” (camera 4 is installed with the shooting direction downward) is selected, turn the direction of camera 4 vertically downward by referring to <How to adjust the vertical (TILT) angle> on the right side of the back of this document
- ② Referring to <How to adjust the horizontal (PAN) angle> on the right side of the back of this document, adjust the horizontal (PAN) angle of camera 2 so that the camera 2 faces the center of the screen to be shot.
- ③ Adjust the horizontal (PAN) angle of cameras 1, 3 and 4 to eliminate dead angle in the shooting range.
- ④ If necessary, adjust the TILT (vertical) angle and the YAW (inclination) angle of each camera by referring to the adjustment method shown on the right side of the back.
- ⑤ If necessary, repeat steps ② to ④ to adjust the direction of each camera.

Note:

- To display or hide the auxiliary line on the screen, click the [Cross line display] button. The auxiliary line helps to check the horizontality and verticality of the displayed image. (Refer to “Adjust with manual zoom” on the lower side of the back.)
- When selecting “horizontal + downward layout”, in order to eliminate dead angle in the shooting range, set the vertical (TILT) angle of the camera 1, 2, and 3 between +30° and +65° (X8571) +30° and +60° (S8531), and the vertical (TILT) angle of the camera 4 as close as possible to that of the camera 2.
- If necessary, perform the focus adjustment by pressing the auto focus button. (Refer to “Adjust with manual zoom” on the lower side of the back.) (S8531)

⇒ Go to “Adjustment (Manual) continued” (right side on the back)

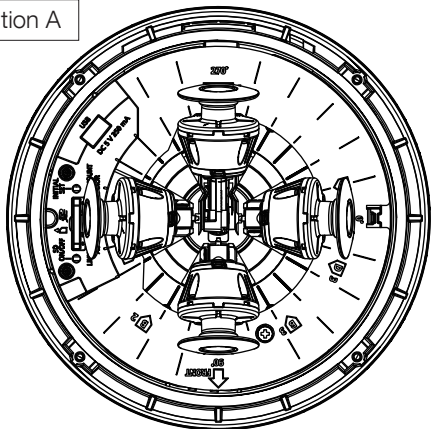
Adjustment (Auto) continued

[6] Adjust the horizontal (PAN) position of four cameras using the position adjust sheet attached inside the camera.

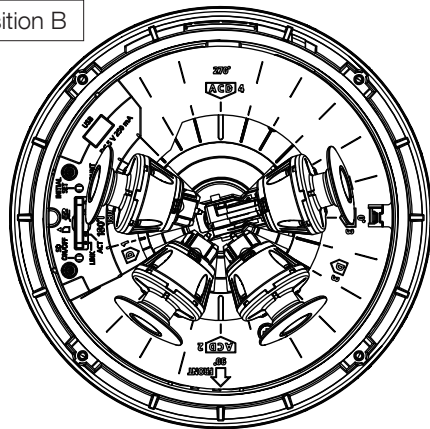
- Refer to “<How to adjust the vertical (TILT) angle>” on the right, and adjust the vertical (TILT) direction of all four cameras to the most upward angle (80°).
- Refer to “<How to adjust the horizontal (PAN) angle>” on the right, and manually adjust the horizontal (PAN) direction of the camera to the following position. The camera positions of each case are as follows.

■ When selecting “horizontal layout”, move the camera to the position as shown below.
“Shoot a 360° range” → Position A / “Shoot a 270° range” → Position B

Position A



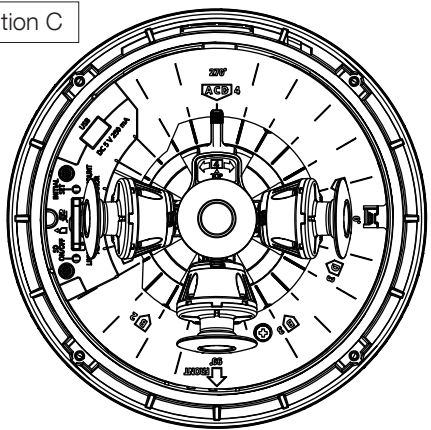
Position B



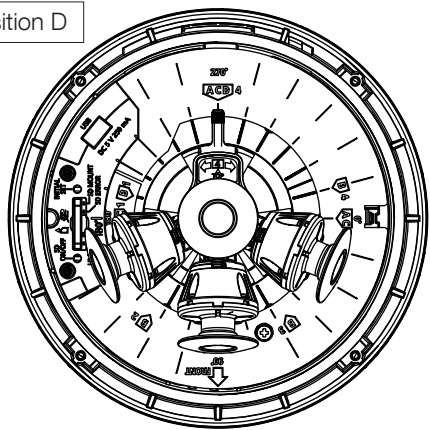
■ When selecting “horizontal + downward layout”, move the camera to the position as shown below.

“Shoot a 270° range” → Position C / “Shoot a 180° range” → Position D

Position C



Position D



[7] When the [Next] button is clicked, coarse adjustment for zoom (X8571) or zoom/focus (S8531) will automatically be performed.

Note:

- When camera 4 is installed facing downward, coarse adjustment will be made only for cameras 1, 2 and 3 of the horizontal layout. (As a result of the coarse adjustment, a dead angle may be formed between camera 2 and camera 4.) If necessary, refer to “Adjustment (Manual) continued” on the right and adjust camera 4 manually.
- When the [Back] button is pressed, the screen will return to the previous setup screen.

[8] After the automatic adjustment is completed, the image capturing/adjusted screen will be displayed on the tablet screen. If necessary, perform fine adjustment with manual zoom.

Refer to “Adjust with manual zoom” below for how to adjust with manual zoom.

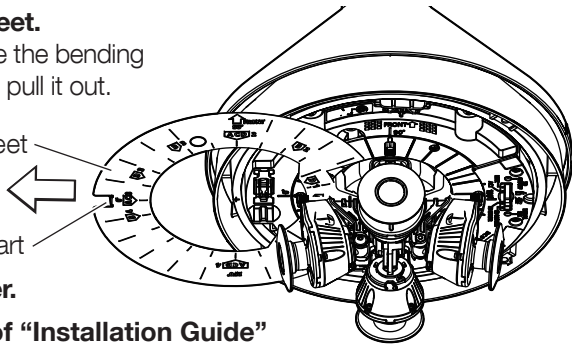
[9] When the boundary of the screens does not match properly, refer to “<How to adjust the inclination (YAW) angle>” and adjust the inclination (YAW) angle of the camera.

[10] Remove the position adjust sheet.

After removing the blue tape, release the bending part of the position adjust sheet and pull it out.

Position adjust sheet

bending part



[11] Remove the Wi-Fi USB adapter.

⇒ Go to “Step 5 Fix the camera” of “Installation Guide”

Adjustment (Manual) continued

The following explanation is an example of how to adjust camera 2. The adjustment angle described below is when all the cameras are in their factory-set positions. The adjustable angle of each camera varies according to the positional relationship with other cameras.

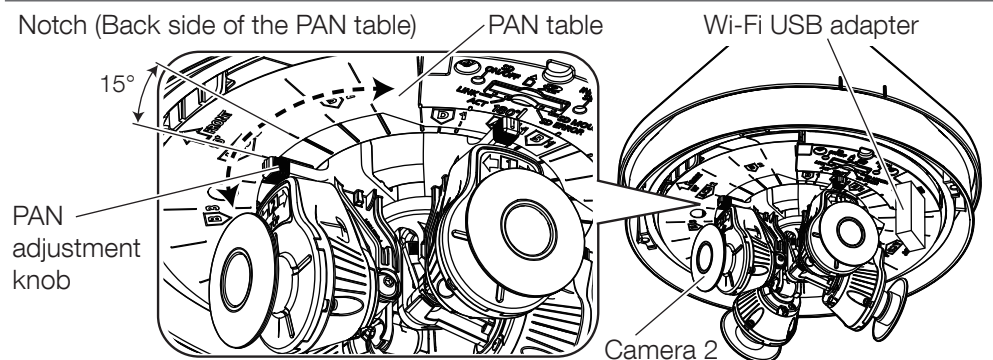
- Be careful not to touch the lens part of the camera during the adjustment.
- Depending on the adjusted position of each camera unit, the Wi-Fi USB adapter may be seen in the screen.

<How to adjust the horizontal (PAN) angle>

Hold and move the PAN adjustment knob to change the direction of each camera unit.
Camera 1-4: ±30° (when each camera is in the factory-set position) / Notch interval: 2.5°

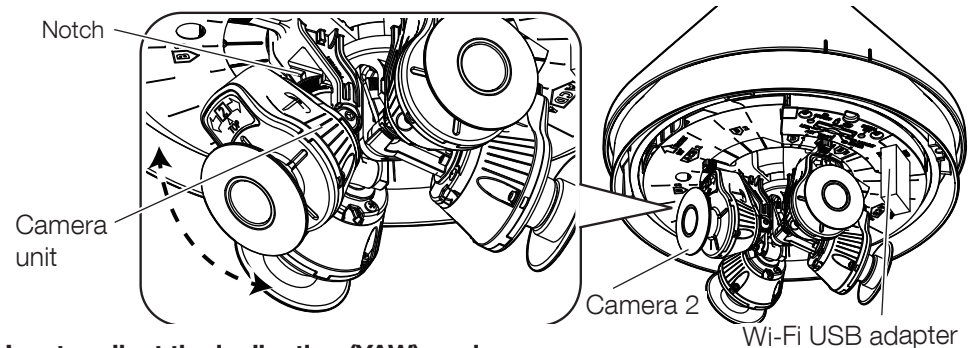
Note:

- 360° horizontal (PAN) movement of each camera is available by moving each camera unit in order.



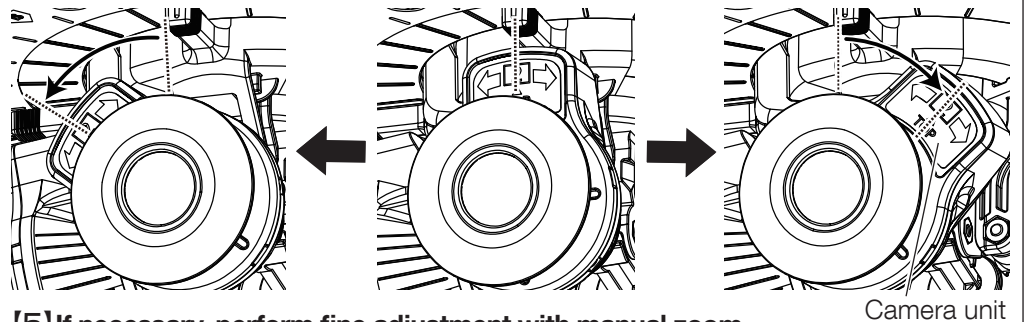
<How to adjust the vertical (TILT) angle>

Hold and move the camera unit to change the direction of each camera unit.
Camera 1-3: 30° to 80° / Camera 4: -15° to +80° / Notch interval: 2.5°



<How to adjust the inclination (YAW) angle>

Hold and move the camera unit to change the inclination of each camera unit.
Camera 1-4: ±50° / Notch interval: 2.5°



[5] If necessary, perform fine adjustment with manual zoom.

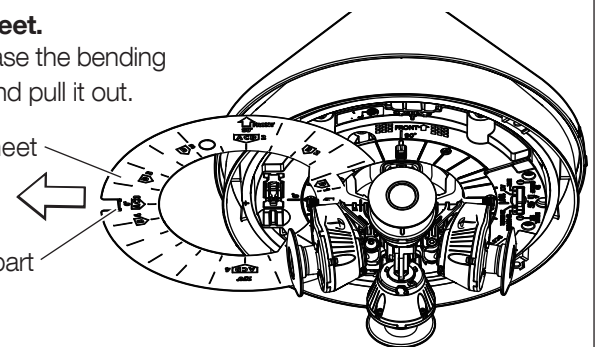
Refer to “Adjust with manual zoom” below for how to adjust with manual zoom.

[6] Remove the position adjust sheet.

After removing the blue tape, release the bending part of the position adjust sheet and pull it out.

Position adjust sheet

bending part



[7] Remove the Wi-Fi USB adapter.

⇒ Go to “Step 5 Fix the camera” of “Installation Guide”

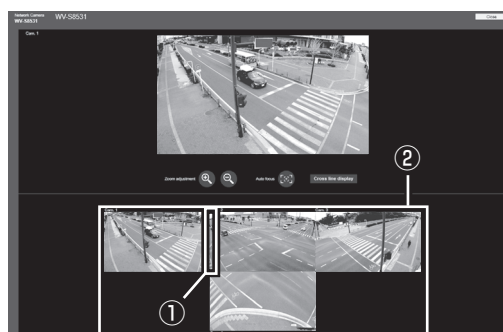
Adjust with manual zoom

When checked the screen and found that the boundary between the screens is not well aligned, adjust with manual zoom. The following explanation is an example of how to adjust between cameras 1 and 2.

- Check the boundary of the screens of cameras 1 and 2, determine which camera is to be adjusted.
- When adjusting camera 1, click and select the screen of camera 1.



When selecting “horizontal layout”



When selecting “horizontal + downward layout”

③ Adjust by pressing the zoom adjustment buttons (+/- buttons).

④ If necessary, press the auto focus button to perform the focus adjustment. (S8531)

Note:

- To display or hide the auxiliary line on the screen, click the [Cross line display] button. The auxiliary line helps to check the horizontality and verticality of the displayed image.

⑤ When the adjustment is completed, click the [Close] button at the upper right corner of the screen to exit. The screen will return to the initial screen.

