



Installation Guide

Included Installation Instructions

Network Camera For professional use only

Model No. **WV-X4173**

Indoor use

WV-X4172

Indoor use

WV-S4151

Indoor use



About the user manuals

Product documentation is composed of the following documents.

- Installation Guide (this document):** Provides information about "Precautions", "Precautions for installation" and the installation method.
- Basic Information (in the following website):** Provides information about "Precautions for use" and "Detail specifications".
- Operating Instructions (in the following website):** Explains how to perform the settings and how to operate this camera. https://i-pro.com/global/en/surveillance/documentation_database



*<Control No.: C****> used in these documents should be used to search for information on our support website (https://i-pro.com/global/en/surveillance/training_support/support/technical_information) and will guide you to the right information.



- Before attempting to connect or operate this product, please read these instructions carefully and save this manual for future use.
- SDXC/SDHC/SD memory card is described as SD memory card.
- The external appearance and other parts shown in this manual may differ from the actual product within the scope that will not interfere with normal use due to improvement of the product.

For U.S. and Canada:

i-PRO Americas Inc.
<https://www.i-pro.com/>

For Europe and other countries:

i-PRO Co., Ltd. Fukuoka, Japan
<https://www.i-pro.com/>

i-PRO EMEA B.V. UK Branch
1010 Cambourne Business Park,
Cambridgeshire CB23 6DP

Authorised Representative in EU:
i-PRO EMEA B.V.
Laarderhoogtweg 25, 1101 EB
Amsterdam, Netherlands



PGQX2435YA



Cs1020-1042
Printed in China

Disposal of Old Equipment and Batteries

Only for European Union and countries with recycling systems

These symbols on the products, packaging, and/or accompanying documents mean that used electrical and electronic products and batteries must not be mixed with general household waste. For proper treatment, recovery and recycling of old products and used batteries, please take them to applicable collection points in accordance with your national legislation.

By disposing of them correctly, you will help to save valuable resources and prevent any potential negative effects on human health and the environment. For more information about collection and recycling, please contact your local authority. Penalties may be applicable for incorrect disposal of this waste, in accordance with national legislation.

Note for the battery symbol (bottom symbol)

This symbol might be used in combination with a chemical symbol. In this case it complies with the requirement set by the Directive for the chemical involved.

For U.S.A.

NOTE: This equipment has been tested and found to comply with the limits for a Class A digital device, pursuant to Part 15 of the FCC Rules. These limits are designed to provide reasonable protection against harmful interference when the equipment is operated in a commercial environment. This equipment generates, uses, and can radiate radio frequency energy and, if not installed and used in accordance with the instruction manual, may cause harmful interference to radio communications. Operation of this equipment in a residential area is likely to cause harmful interference in which case the user will be required to correct the interference at his own expense.

FCC CAUTION: Changes or modifications not expressly approved by the party responsible for compliance could void the user's authority to operate the equipment.

Supplier's Declaration of conformity
Trade name : i-PRO
Model No. : WV-X4173 / WV-X4172 / WV-S4151
Responsible Party :
i-PRO Americas Inc.
8550 Fallbrook Drive, Suite 200 Houston,
Texas 77064
Support Contact : 1-800-513-5417



For U.S.A.

The model number and serial number of this product may be found on the surface of the unit. You should note the model number and serial number of this unit in the space provided and retain this book as a permanent record of your purchase to aid identification in the event of theft.

Model No. _____
Serial No. _____

For U.S.A.

This device complies with part 15 of the FCC Rules. Operation is subject to the following two conditions: (1) This device may not cause harmful interference, and (2) this device must accept any interference received, including interference that may cause undesired operation.

For Canada
CAN ICES-3(A)/NMB-3(A)

Méthode d'installation	Vis de fixation recommandée	La capacité de traction minimale requise
Quand la caméra vidéo est directement installée au plafond ou sur le mur.	M4/ 4 él.	196 N [44 lbf]

Caution:

- The DC power supply connected to the camera must be in the same building.
- The network camera is only intended for a connection to an ethernet or PoE network without routing to the outside plant.
- This product has no power switch. Be sure to install disconnect devices such as a circuit breaker to shut down the main power of power supplying equipment to this product.
- Only connect 12 V DC Class 2 power supply (UL 1310/CSA 223) or limited power source (IEC/EN/UL/CSA 60950-1 or IEC/EN/UL/CSA 62368-1 Annex Q).
- Before attempting to connect or operate this product, please read these instructions carefully.

Notice:

- This product is not suitable for use in locations where children are likely to be present.
- Do not install this product in locations where ordinary persons can easily reach.
- This product is a professional equipment.
- For information about screws and other parts required for installation, refer to the corresponding section of this document.

☐☐☐☐ : Direct current symbol

Precautions

Do not insert any foreign objects.

Fire or electrical shock may be caused if water or any foreign objects, such as metal objects, enter inside the unit. Turn the power off immediately and contact qualified service personnel for service.

Do not use this product in an inflammable atmosphere.

Failure to observe this may cause an explosion resulting in injury.

Avoid installing this product in the locations where salt damage occurs or corrosive gas is produced.

Otherwise, the mounting portions will deteriorate and injury or accidents due to a fall of the product may occur.

Do not strike or give a strong shock to this product.

Failure to observe this may cause injury or fire.

Keep SD memory cards away from infants and children.

Otherwise, they may swallow the cards by mistake.

In this case, consult a doctor immediately.

Do not hang down from this product or use this product as a pedestal.

Failure to observe this may cause injury or accidents.

Do not damage the power cable.

Do not damage, fabricate, twist, stretch, bundle, or forcibly bend the power cable. Do not place heavy objects on it, and keep it away from heat sources.

Use of a damaged power cable may cause electric shock, short circuit, or fire.

Consult the dealer for repair.

Do not attempt to disassemble or modify this product.

Failure to observe this may cause fire or electric shock. Consult the dealer for the repair or inspections.

Do not install or clean the camera, or touch this product, the power cable or the connected cables during thunder storms.

Failure to observe this may cause electric shock.

Refer installation work to the dealer.

Installation work requires technique and experience. Failure to observe this may cause fire, electric shock, injury, or damage to the product. Be sure to consult the dealer.

Stop the operation immediately when something is wrong with this product.

When smoke goes up from the product, the smell of smoke comes from the product, or the exterior of the product has deteriorated, continued use will cause a fire or fall of the product resulting in injury, or damage to the product. In this case, turn the power off immediately and contact qualified service personnel for service.

Select an installation area that can support the total weight.

Selecting an inappropriate installation surface may cause this product to fall down or topple over, resulting in injury or accidents. Installation work shall be started after sufficient reinforcement.

Periodic inspections shall be conducted.

Rust on the metal parts or screws may cause a fall of the product resulting in injury or accidents. Consult the dealer for the inspections.

The exclusively designed mount bracket shall be used.

Failure to observe this may cause a drop resulting in injury or accidents.

Use the exclusively designed mount bracket for installation.

The screws and bolts must be tightened to the specified torque.

Failure to observe this may cause a drop resulting in injury or accidents.

Turn the power off when do wiring of this product.

Failure to observe this may cause electric shock. In addition, short circuit or wrong wiring may cause fire.

Install this product in a location high enough to avoid people and objects from bumping the product.

Failure to observe this may cause injury.

The measures of protection against a fall of this product shall be taken. (in the case of installing without using attachment plate (accessory)).

Failure to observe this may cause a drop resulting in injury or accidents. Be sure to install the safety wire.

Do not install this product in locations subject to vibration.

Loosening of mounting screws or bolts may cause a fall of the product resulting in injury or accidents.

Correctly perform all wiring.

Short circuits in the wiring or incorrect wiring may cause fire or electrical shock.

Install the product securely on a wall or a ceiling in accordance with the installation instructions.

Failure to observe this may cause injury or accidents.

Do not rub the edges of metal parts with your hand.

Failure to observe this may cause injury.

Do not touch the metal part of the bottom side of the product.

The metal part of the bottom side may become hot while the product is in use. Direct skin contact with high-temperature parts of the product may cause burns.

Turn the power off when cleaning this product.

Failure to observe this may cause injury.

About notations

The following notations are used when describing the functions limited for specified models. The functions without the notations are supported by all models.

X4173 The functions with this notation are available when using the model WV-X4173 (9-megapixel model).

X4172 The functions with this notation are available when using the model WV-X4172 (9-megapixel model).

S4151 The functions with this notation are available when using the model WV-S4151 (5-megapixel model).

Open Source Software

- This product contains open source software licensed under GPL (GNU General Public License), LGPL (GNU Lesser General Public License), etc.
- Customers can duplicate, distribute and modify the source code of the software under license of GPL and/or LGPL.
- For details concerning licensing and source code of open source software, click "Click here for OSS information" on "Support" page of the setup menu of this product and read the displayed content.
- Please note that we shall not respond to any inquiries regarding the contents of the source code.

Copyright

Except for open source software licensed under GPL/LGPL and so on, distributing, copying, disassembling, reverse compiling and reverse engineering of the software provided with this product are all expressly prohibited. In addition, exporting any software provided with this product violating export laws is prohibited.

Trademarks and registered trademarks

- Microsoft, Windows, Windows Media, Internet Explorer, Microsoft Edge, and ActiveX are either registered trademarks or trademarks of Microsoft Corporation in the United States and/or other countries.
- Intel and Intel Core are trademarks of Intel Corporation or its subsidiaries in the U.S. and/or other countries.
- Adobe, Acrobat, and Reader are either registered trademarks or trademarks of Adobe in the United States and/or other countries.
- SDXC Logo is a trademark of SD-3C, LLC.
- iPad and iPhone are trademarks of Apple Inc., registered in the U.S. and other countries.
- Android and Google Chrome are trademarks of Google LLC.
- Firefox is a trademark of the Mozilla Foundation in the US and other countries.
- The word "QR Code" is a registered trademark of DENSO WAVE INCORPORATED in Japan and other countries.
- All other trademarks identified herein are the property of their respective owners.

Precautions for installation

i-PRO Co., Ltd. assumes no responsibility for injuries or property damage resulting from failures arising out of improper installation or operation inconsistent with this documentation.

In order to prevent injury, the product must be securely mounted to a ceiling or wall according to Installation Guide.

Installation area for this product

- Select an appropriate place for the installation area (such as a strong wall or ceiling) in your particular environment.
- Make sure that the installation area is strong enough to hold this product, such as a concrete ceiling.
- Install the camera in the foundation area of the architecture or where sufficient strength is assured.
- Do not mount the product on a plaster board or a wooden section because they are too weak. If the product is unavoidably mounted on such a section, the section shall be sufficiently reinforced.

This camera is designed to be used indoors

This product is not operable outdoors. Do not expose this camera to direct sunlight for hours and do not install the product near a heater or an air conditioner. Otherwise, it may cause deformation, discoloration and malfunction. Keep this camera away from water and moisture.

Do not place this product in the following places

- Locations where a chemical agent is used such as a swimming pool
- Locations subject to moisture or oil smoke such as a kitchen
- Locations that have a specific environment that is subject to an inflammable atmosphere or solvents
- Locations where a radiation, an X-ray, a strong radio wave or a strong magnetic field is generated
- Locations near coasts directly subjected to sea breezes, or locations subject to corrosive gases such as from hot springs, volcanic regions, etc.

- Locations where the temperature is not within the specified range
- Locations subject to vibrations, such as on vehicles, marine vessels, or above product lines (This product is not designed for on-vehicle use.)
- Locations where it may get directly wet from rain or water splash (including under the eaves, etc.)
- Locations subject to moisture or dust
- Locations subject to sudden changes in temperature such as near air discharge vents of air conditioners or air circulation inlet doors
- Locations near rubber products (packing, rubber feet, etc.)

Screw tightening

Do not use an impact driver. Use of an impact driver may damage the screws or cause tightening excessively.

About reflection of light from outside or IR light

A ghost may appear on the screen depending on the incident angle of external light. In the case of using the IR light, installation of a camera near a wall may cause reflection of infrared rays resulting in a part of the screen or the entire screen turning whitish. Refer to our support website <Control No.: C0109> for image examples and measures to take.

Protection from lightning

When cables are used outdoors, there is a chance that they may be affected by lightning. In such a case, install a lightning arrestor close to the camera, and make the length of the network cable between the camera and lightning arrestor as short as possible to prevent the camera from being affected by lightning.

When noise disturbance may happen

Noise may appear in video or audio near a strong electric field from a TV or radio antenna, motors and transformers, or a strong electric field/magnetic field from a power line (lamp line) of AC100 V or more. Conduct the power distribution work to keep 1 m (3.28 feet) away from them or conduct the electric conduit work using metal pipes. (Be sure to make ground connection of the metal pipes.)

Make sure to remove this product if it will no longer be used.

This product has no power switch.

When turning off the power, disconnect the power supply from the 12 V DC power supply **X4173** **S4151** or the PoE device.

About the battery

A battery is installed inside the camera. Do not leave the battery exposed in environments of excessive heat as a result of sunlight or fire.

Equipment classification and power source indication label

Refer to the indication label on the bottom side of this unit for the equipment classification, power source, and other information.

Troubleshooting

Before requesting service, refer to "Troubleshooting" of Basic Information and Operating Instructions. Then, confirm the trouble.

Specifications* *For further information, refer to the Basic Information.

Power source *1:	X4173 S4151 DC 12 V PoE (IEEE802.3af compliant)
Power consumption *1:	X4173 DC 12 V: 560 mA/Approx. 6.7 W PoE DC 48 V: 150 mA/Approx. 7.2 W (Class 0 device) X4172 PoE DC 48 V: 150 mA/Approx. 7.2 W (Class 0 device) S4151 DC 12 V: 400 mA/Approx. 4.8 W PoE DC 48 V: 110 mA/Approx. 5.3 W (Class 2 device)
Operating environment	X4173 S4151 Ambient operating temperature: -10 °C to +50 °C [14 °F to 122 °F] Ambient operating humidity: 10 % to 90 % (no condensation) X4172 0 °C to 40 °C [32 °F to 104 °F] 10 % to 90 % (no condensation)
Storage environment	Storage temperature: -30 °C to +60 °C [-22 °F to +140 °F] Storage humidity: 10 % to 95 % (no condensation)
Monitor output *2 (for adjustment):	X4173 S4151 VBS: 1.0 V [p-p]/75 Ω, composite, ø3.5 mm mini jack (Audio output terminal) An NTSC or PAL signal can be outputted from camera (use software to select NTSC or PAL signal).
EXT I/O terminals:	X4173 S4151 ALARM IN1 (Alarm input 1/Auto time adjustment input): x1 ALARM IN2 (Alarm input 2/ALARM OUT): x1 ALARM IN3 (Alarm input 3/AUX OUT): x1
Built-in microphone:	X4173 S4151 Nondirectional electret condenser microphone
Audio input:	X4173 S4151 ø3.5 mm stereo mini jack For microphone input: Recommended applicable microphone: Plug-in power type (Sensitivity of microphone: -48 dB±3 dB (0 dB=1 V/Pa, 1 kHz)) Input impedance: Approx. 2 kΩ (unbalanced) Supply voltage: 2.5 V ±0.5 V Input level: Approx. -10 dBV For line input:
Audio output *2:	ø3.5 mm stereo mini jack (Audio output is monaural.) Output impedance: Approx. 600 Ω (unbalanced) Output level: -20 dBV
Dimensions:	X4173 X4172 ø150 mm × 49.5 mm (H) [ø5-29/32 inches × 1-15/16 inches (H)] S4151 ø150 mm × 50.5 mm (H) [ø5-29/32 inches × 2 inches (H)]

Mass:	X4173 Approx. 420 g [0.93 lbs] X4172 Approx. 400 g [0.88 lbs] S4151 Approx. 390 g [0.86 lbs]
Finish:	Main body: ABS resin, i-PRO white

- *1 Refer to our support website <Control No.: C0106> for further information about Power source and Power consumption information.
- *2 The audio output can be switched to the monitor output. Refer to the Operating Instructions on the our support web site for descriptions of how to switch the output.

Optional accessories*1

Ceiling mount bracket: WV-Q105A

<i-PRO white brackets>

Ceiling Mount Bracket (ISO) WV-QCL100-W Wall Mount Bracket: WV-QWL500-W

Ceiling Mount Bracket (ANSI) WV-QCL101-W

*1 Refer to our support website <Control No.: C0501> for other optional accessories that can be installed.

Standard accessories

Installation Guide (this document) 1 pc. Code label*1 1 pc.
IMPORTANT SAFETY INSTRUCTIONS..... 1 pc.

*1 This label may be required for network management. Use caution not to lose this label.

The following parts are used during installation procedures.

Attachment plate 1 pc. Cable tie **X4173** **S4151** 2 pcs. (of them, 1 for spare)

Template A 1 sheet

Audio cable **X4173** **S4151** 1 pc. Safety wire lug **X4173** **S4151** 1 pc.

Power cord plug *2 **X4173** **S4151** 1 pc. Safety wire **X4173** **S4151** 1 pc.

EXT I/O terminal plug *2 **X4173** **S4151** 1 pc. Washer **X4173** **S4151** 1 pc.

Cable for easy kitting *3 1 pc. Spring washer **X4173** **S4151** 1 pc.

*2 The power cord plug and EXT I/O terminal plug are attached to the camera.

*3 The cable for easy kitting is attached to the camera.

Other items that are needed (not included)

- Fixing screw

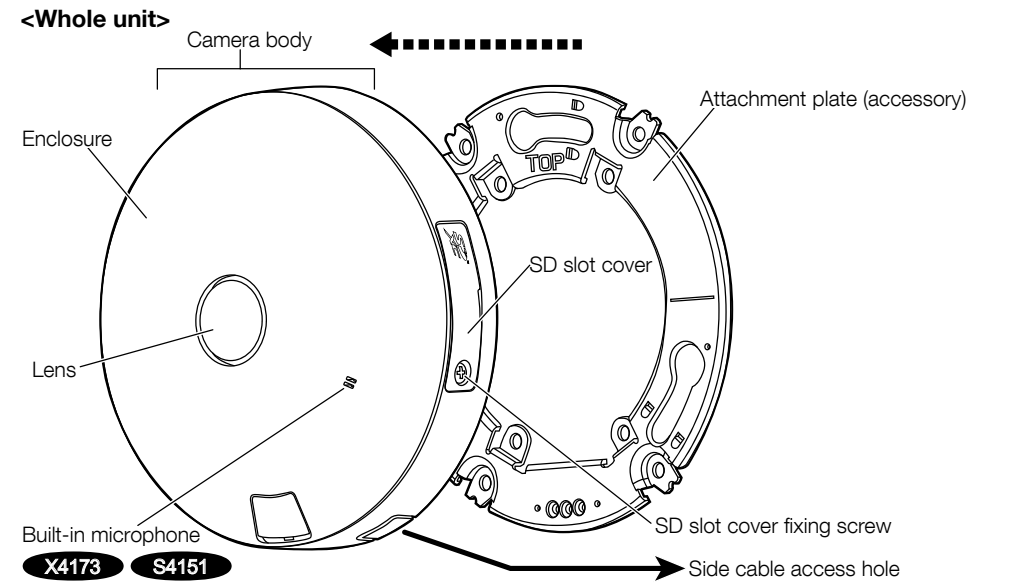
Installation method	Recommended screw*1	Minimum pull-out strength*2
Junction box : Mount the camera on the two-gang junction box using the attachment plate		
Directly mount : Directly mount the camera onto the ceiling or wall using the attachment plate	M4/ 4 pcs.	196 N [44 lbf]
When mounting the camera using the optional bracket	Refer to the Installation Guide for each bracket	

*1 Select screws according to the material of the location that the camera will be mounted to. In this case, wood screws and nails should not be used.

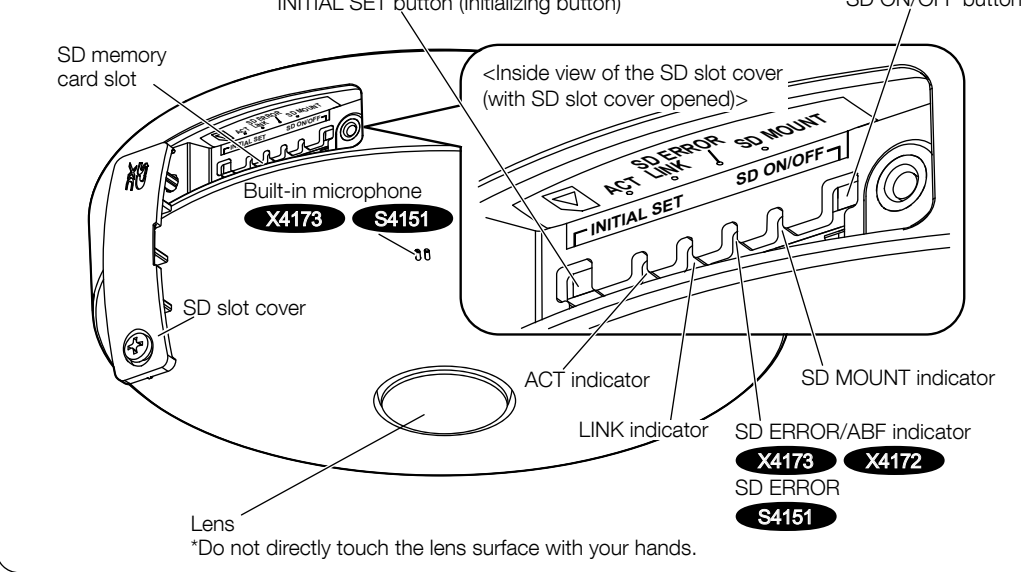
*2 For information about the minimum pull-out strength, refer to our support website <Control No.: C0120>.

- RJ45plug, Ethernet cable (category 5e or better, straight, all 4 pairs (8 pins))
- As necessary, audio input cable, audio output cable, alarm I/O cables, power supply cable
- Tools

Parts and functions



<Indicators and buttons>



■ Indicators

Note:

- Lighting/blinking LED can be turned off with the software settings at any time. (The initial state is lighting or blinking.) Refer to the Operating instructions for information about settings.

LINK indicator When the camera is able to communicate with the connected device	Lights orange
ACT indicator When data is being sent via the network camera	Blinks green (accessing)
SD MOUNT indicator When an SD memory card is inserted and could be recognized	Lights off → Blinks green → Lights off
When data can be saved after the SD memory card is inserted and the SD ON/OFF button is pressed (less than 1 second)	Lights off → Lights green
When data can be saved to the SD memory card	Lights green
When the SD memory card is removed after holding down the SD ON/OFF button (about 2 seconds)	Lights green → Blinks green → Lights off
(waiting for recording)	Lights green → Lights off
When data cannot be saved to the SD memory card because an abnormality was detected or the SD memory card is configured not to be used	Lights off
SD ERROR/ABF indicator (X4173 X4172) SD ERROR indicator (S4151)	Blinks red (Interval of 1 time/second)
When the network camera is being started	Lights red
When an SD memory card is recognized normally	Lights red → Lights off
When the SD slot is not used or an abnormality is detected in SD card after the camera has started	Lights red → Stays red

■ Buttons

INITIAL SET button (Initializing)

Follow the steps below to initialize the network camera. Retry if the camera does not start up normally.

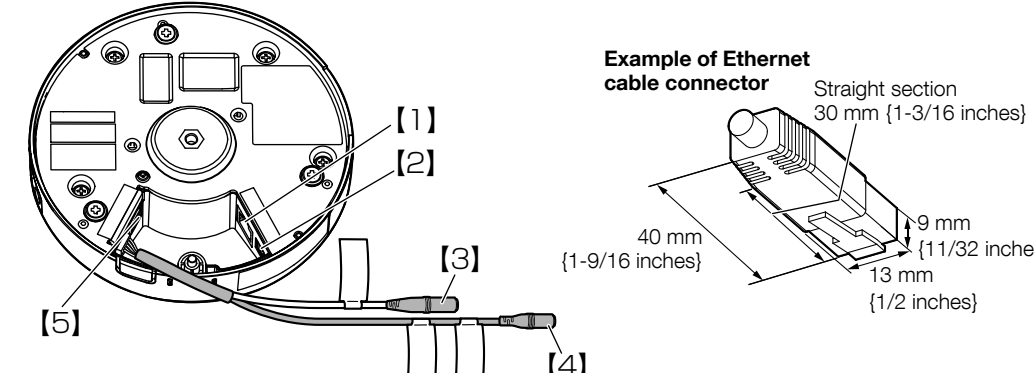
SD ON/OFF button

- When the SD ON/OFF button is pressed (less than 1 second), the SD MOUNT indicator lights up in green and data can be saved to the SD memory card.
- When the SD ON/OFF button is held down (about 2 seconds), the SD MOUNT indicator lights off and the SD memory card can be removed.

Step3 Making connections

IMPORTANT:

- Devices to which power can be supplied to this product are PoE hub, PoE power supplying equipment, and external 12 V DC power supply. (X4173 S4151)
- Turn off each system's power supply before making a connection.



- Connect an Ethernet cable to the RJ45 network terminal.
- When connecting an AC adaptor or an external power supply, use the power cord plug (accessory) to connect it to the camera. (X4173 S4151)
 - Strip 3 mm to 7 mm {1/8 inches to 9/32 inches} from the end of the output cable of the AC adaptor. Twist the stripped part of the wire sufficiently to avoid short circuit. When connecting an external power supply to the camera, use the 16 AWG to 24 AWG singlewired or stranded wired cables.
 - Loosen the screws of the power cord plug and then insert the output cable of the AC adaptor into the power cord plug.
 - Tighten the screws of the power cord plug. (Recommended tightening torque: 0.34 N·m {0.25 lbf·ft})
 - Attach the power cord plug to the Power supply terminal (12 V DC) of the camera.

- If needed, connect a microphone or the line out of an external device to the audio input terminal. (X4173 S4151)
 - If needed, connect a powered speaker to the audio output terminal. (X4173 S4151)
- Note:**
- This camera can change the audio output to the monitor output. Refer to the Operating Instructions for information about changing the audio output.

- If needed, connect the alarm I/O cables to the EXT I/O terminal plug (accessory). (X4173 S4151)
 - Remove 8 mm - 9 mm {5/16 inches - 11/32 inches} of the outer jacket of the cable and twist the cable core to prevent the short circuit first. Specification of cable (wire): 20 AWG - 26 AWG, Single core, twisted
 - Push down the button of the desired terminal on the EXT I/O terminal plug with a ballpoint pen, and release the button when the cable of the external device is fully inserted into the terminal hole.
 - Connect the EXT I/O terminal plug to the EXT I/O terminal of the camera.

- Note:**
- Do not connect 2 wires or more directly to a terminal. When it is necessary to connect 2 or more wires, use a splitter.
 - Check whether the stripped part of the wire is not exposed and is securely connected.
 - The default of EXT I/O terminals is "Off". Refer to the Operating Instructions for further information about the EXT I/O terminal settings.
- As necessary, use a cable tie (accessory) to tie the cables together.

Step4 Mount the camera

- Align the OPEN mark of the side of the camera with the nail of the attachment plate, insert 3 attachment mounting screws into the attachment plate, and rotate the camera by approximately 20° and temporarily fix it. (Align with the "I" at the center of the LOCK mark with the position of the nail of the attachment plate.)

Note:

 - After the camera has been installed, the orientation of the video can be finely adjusted. For information on how to make adjustments, refer to "Step 5 Adjustment".

- Secure the camera.
 - Use a slotted head screwdriver to open the camera fixing screw cover. (see the lower left illustration)
 - Secure the camera by tightening the camera fixing screw.
 - Close the camera fixing screw cover.

IMPORTANT:

 - Be sure to tighten the camera fixing screw. Failure to observe this may cause camera trouble due to camera falling. (Recommended tightening torque: 0.78 N·m {0.58 lbf·ft})

Step1 Preparations

- Remove the cable for easy kitting. Do not use for actual installation.
- Remove the power cable plug (accessory) and the EXT I/O terminal plug (accessory) attached to the camera. (X4173 S4151)
- If needed, connect the audio cable (accessory) to the audio cable connector. (X4173 S4151)

Note:

 - When disconnecting the audio cable (accessory), pull out the audio cable while holding down the hook of the connector.

- When mounting the camera on using the ceiling mount bracket (locally procured). (X4173 S4151)
 - Remove the wire lug fixing screw from the bottom of this product, and attach the safety wire lug (accessory) to the camera with the screw.
 - Engage the safety wire (accessory) with the wire engaging hole.

IMPORTANT:

 - Attach the safety wire lug (accessory) in the direction that is shown in the enlarged illustration at right.
 - Use the wire lug fixing screw to attach the safety wire lug (accessory). When using different length screws, it may damage the camera or cause the camera to fall. (Recommended tightening torque: 0.39 N·m {0.29 lbf·ft})
- If necessary, insert an SD memory card beforehand by referring to "Insert an SD memory card" in "Insert / remove an SD memory card" in the lower right.

Step5 Adjustment

See the captured image on a PC, and follow the procedure described below for fine adjustment of the upper direction of the screen (camera direction). For camera fixation, three points are available considering "I" of the LOCK mark as 0°: 0° (center), +5° (rightward), and -5° (leftward).

- Download and launch the IP Setting Software and connect to the network by following information described on our support website <Control No.: C0123>.
- Use a slotted head screwdriver to open the camera fixing screw cover, and then use a cross slot screwdriver to loosen the camera fixing screw.

IMPORTANT:

 - Loosening the camera fixing screw allows the camera to be in the temporary fixed state.

- Move the LOCK position of the camera clockwise or counterclockwise to finely adjust the image direction while seeing the captured image on a PC.

IMPORTANT:

 - Turning the camera counterclockwise too much removes the camera from the attachment plate. Be careful not to do so.
- Secure the camera by tightening the camera fixing screw, and then close the camera fixing screw cover.

IMPORTANT:

 - Be sure to tighten the camera fixing screw. Failure to observe this may cause camera trouble due to camera falling. (Recommended tightening torque: 0.78 N·m {0.58 lbf·ft})

Step2 Processing the installation surface (process according to the installation type)

Common Minimum pull-out strength: 196 N {44 lbf} (per 1 pc.)

Junction box Mount the camera on the two-gang junction box using the attachment plate (accessory).

Directly mount Drill a hole in the installation surface using template A (accessory). Directly mount the camera onto the ceiling or wall surface using the attachment plate.

Note:

- Attach the attachment plate (accessory) so that the "TOP" mark faces toward the opposite side of the attachment face (camera installation side).
- Align the TOP direction of the attachment plate (accessory) with the shooting direction (upper direction of the screen), and make holes for securing the camera and holes for wiring (if necessary). When using a double panorama, align the TOP2 direction of the template with the shooting direction (upper direction of the screen). ⇒Refer to our support website <Control No.: C0126> After installation is complete, the camera body can be adjusted by ±5° in the PAN direction.

46 mm {1-13/16 inches}

83.5 mm {3-9/32 inches}

46 mm {1-13/16 inches}

Wiring hole: φ30 mm {φ1-3/16 inch}

Attachment plate (accessory)

Two-gang junction box

Attachment plate (accessory)

Fixing screw (4 pcs.) (M4, locally procured)

Junction box

Directly mount

Insert / remove an SD memory card

Insert an SD memory card

- Loosen the SD slot cover fixing screw, and open the SD slot cover.
- Push the back end of the SD memory card until it is inserted up to the upper part of the SD guide rib, and confirm that a clicking sound is made.
- Take your fingers off the SD memory card and check that its rear end of SD memory card does not protrude over the upper part of the SD guide rib.
- After the SD memory card has been inserted, press the SD ON/OFF button, and make sure the SD MOUNT indicator is continually lit. (If you do not press the SD ON/OFF button after inserting the SD memory card, the SD MOUNT indicator is automatically lit approximately 5 minutes later.)
- Attach the SD slot cover to its original position.

Rear end of the SD memory card

SD memory card (with the label side facing the bottom)

SD ON/OFF button

SD guide ridge

SD MOUNT indicator

Remove an SD memory card

When removing an SD memory card, reverse the procedure for inserting an SD memory card. Press and hold the SD ON/OFF button for approx. 2 seconds, and then remove the SD memory card after checking that the SD MOUNT indicator has changed from blinking to off.

IMPORTANT:

- Before turning off the power supplying equipment, make sure that the SD MOUNT indicator is turned off.

Note:

- When using an SD memory card, format it using this product. Refer to the Operating Instructions for how to format an SD memory card.
- Use compatible SD memory cards. Refer to our support website <Control No.: C0107> for latest information about the compatible SD memory cards.