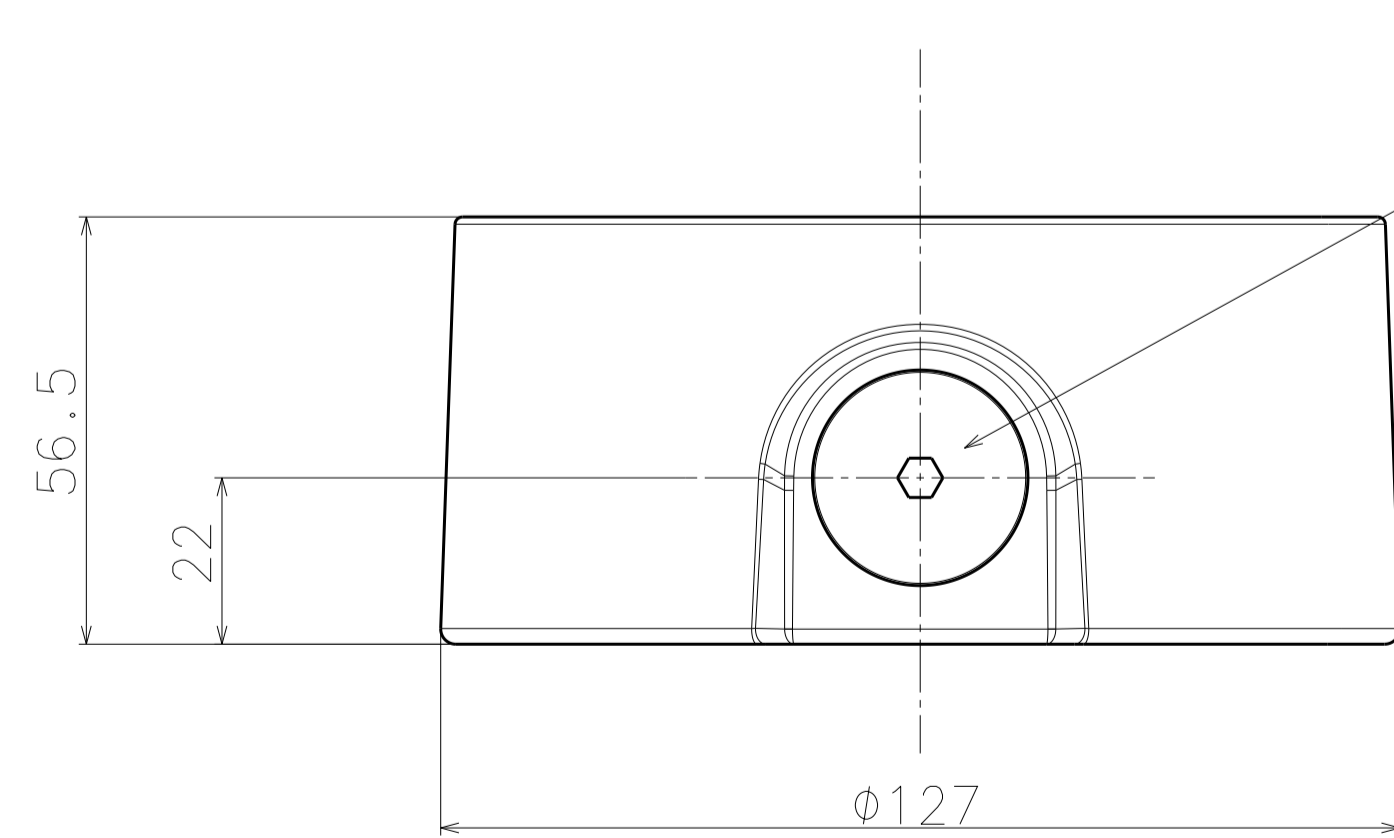


Sec A-A



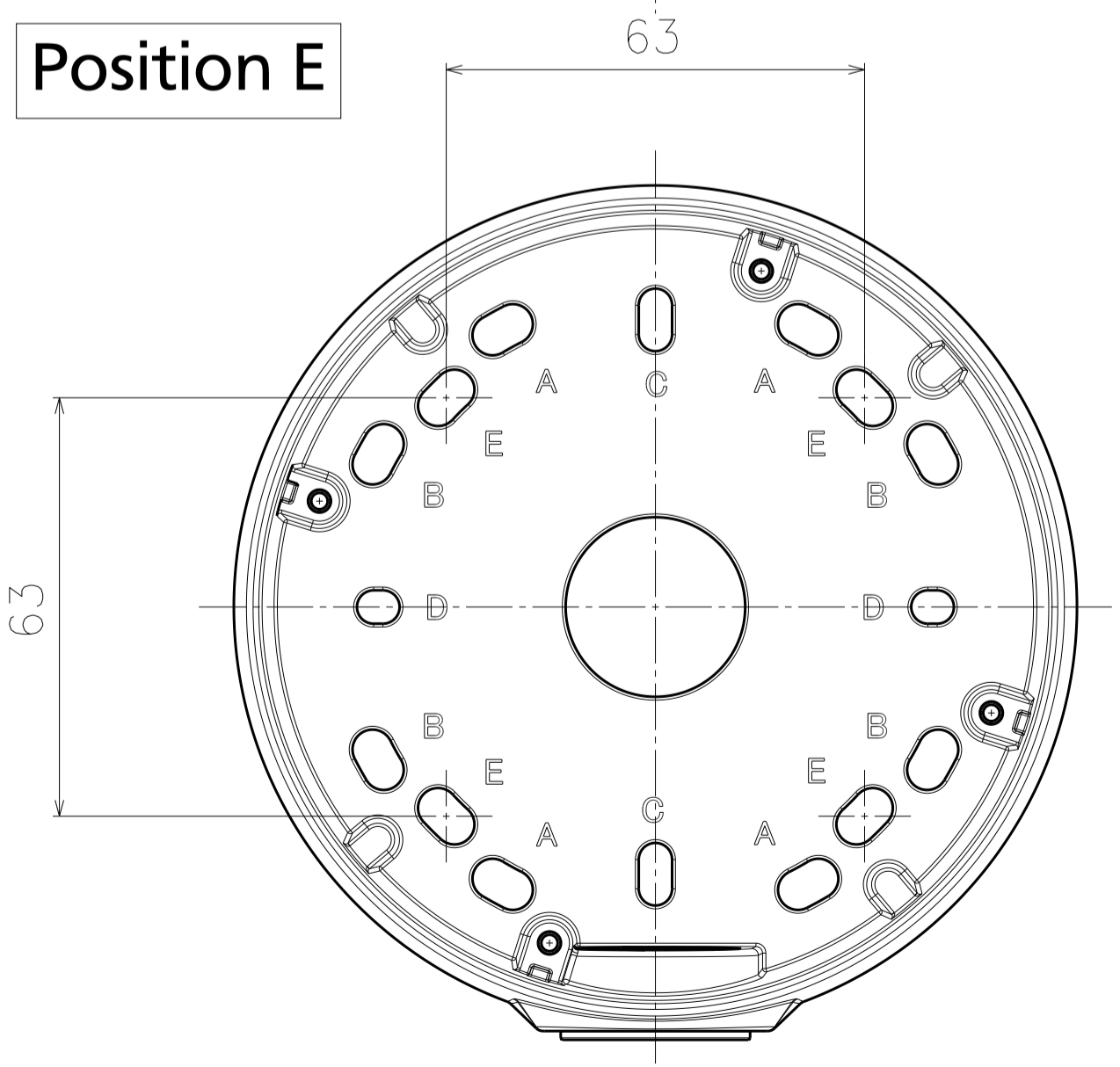
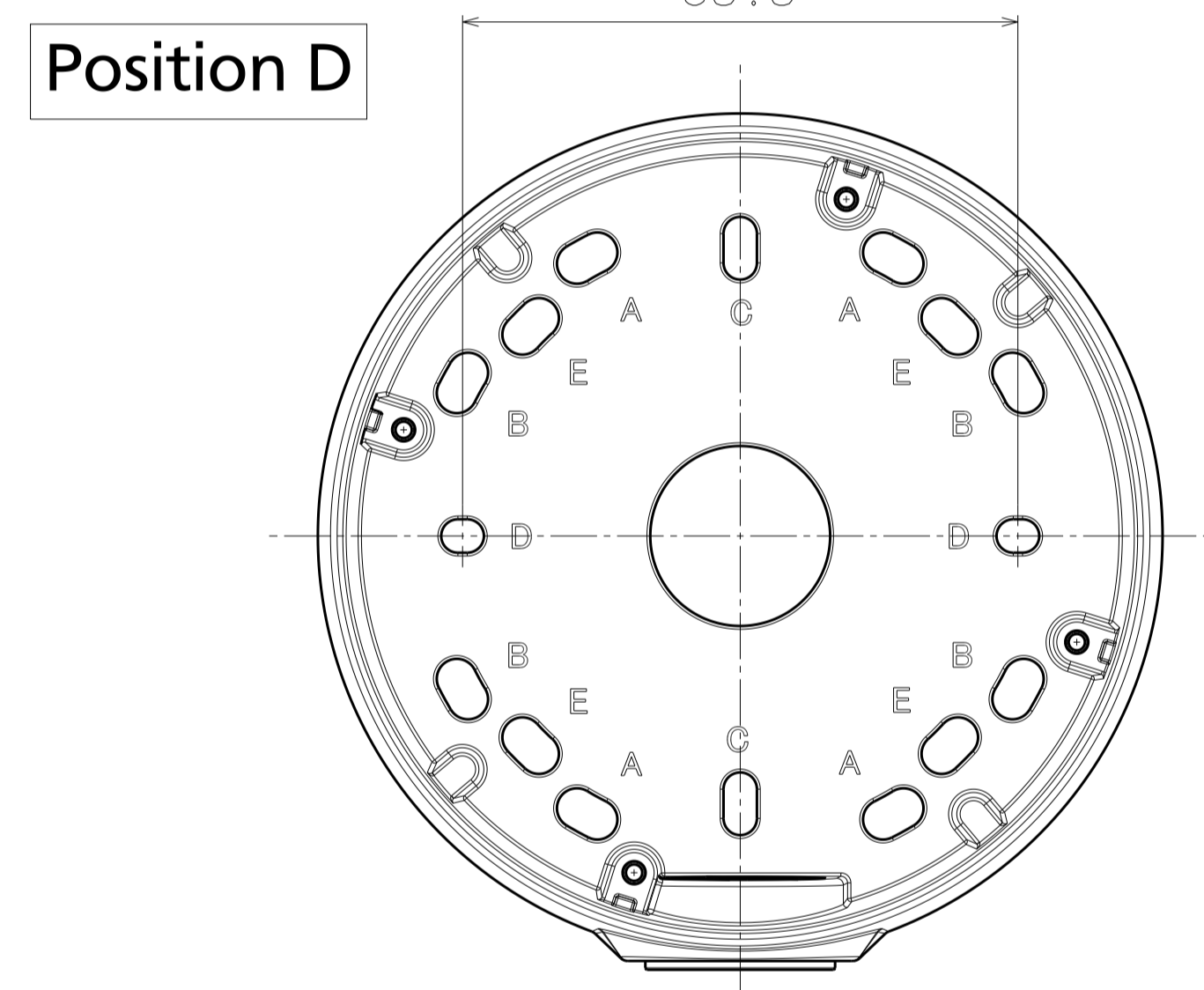
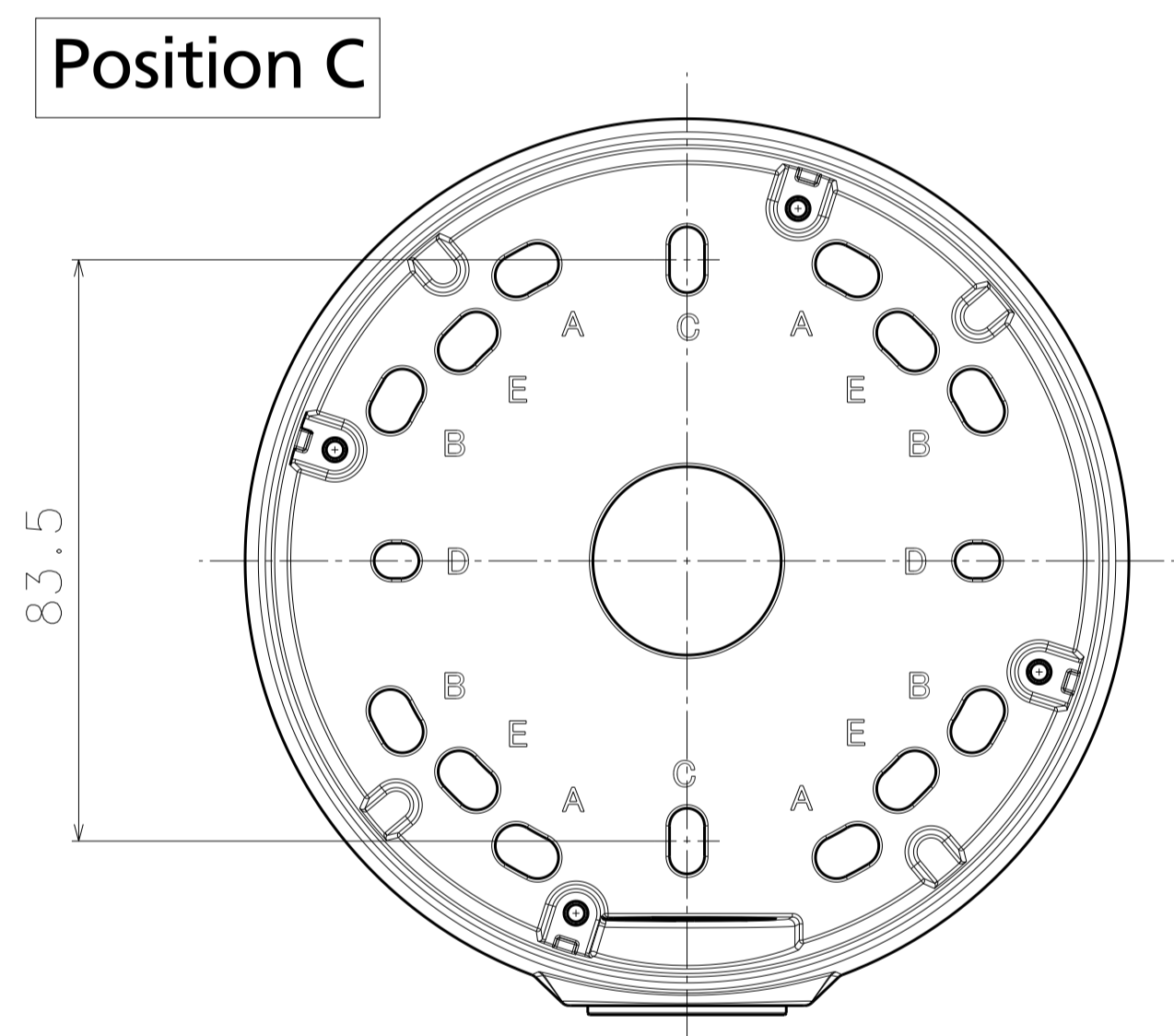
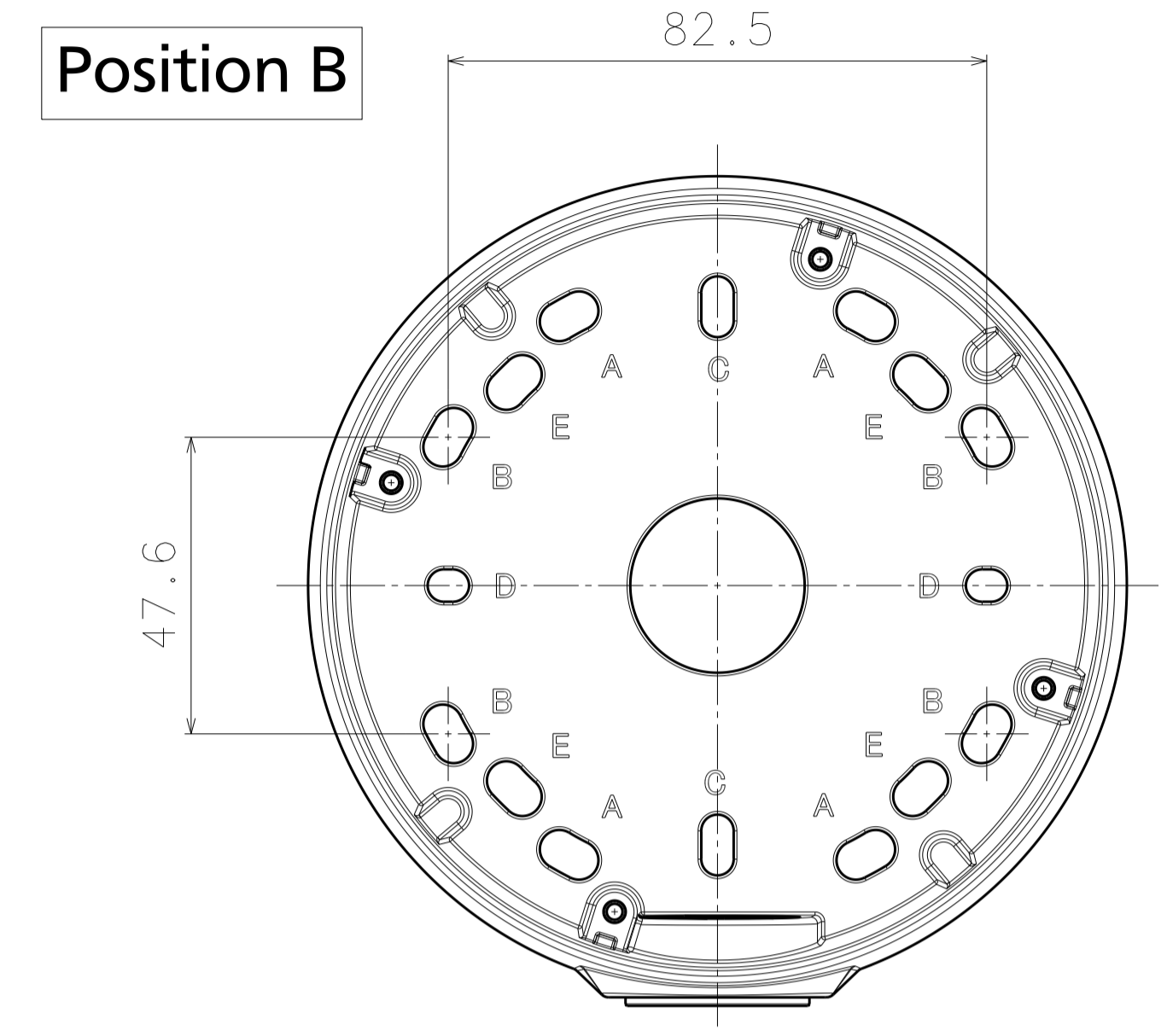
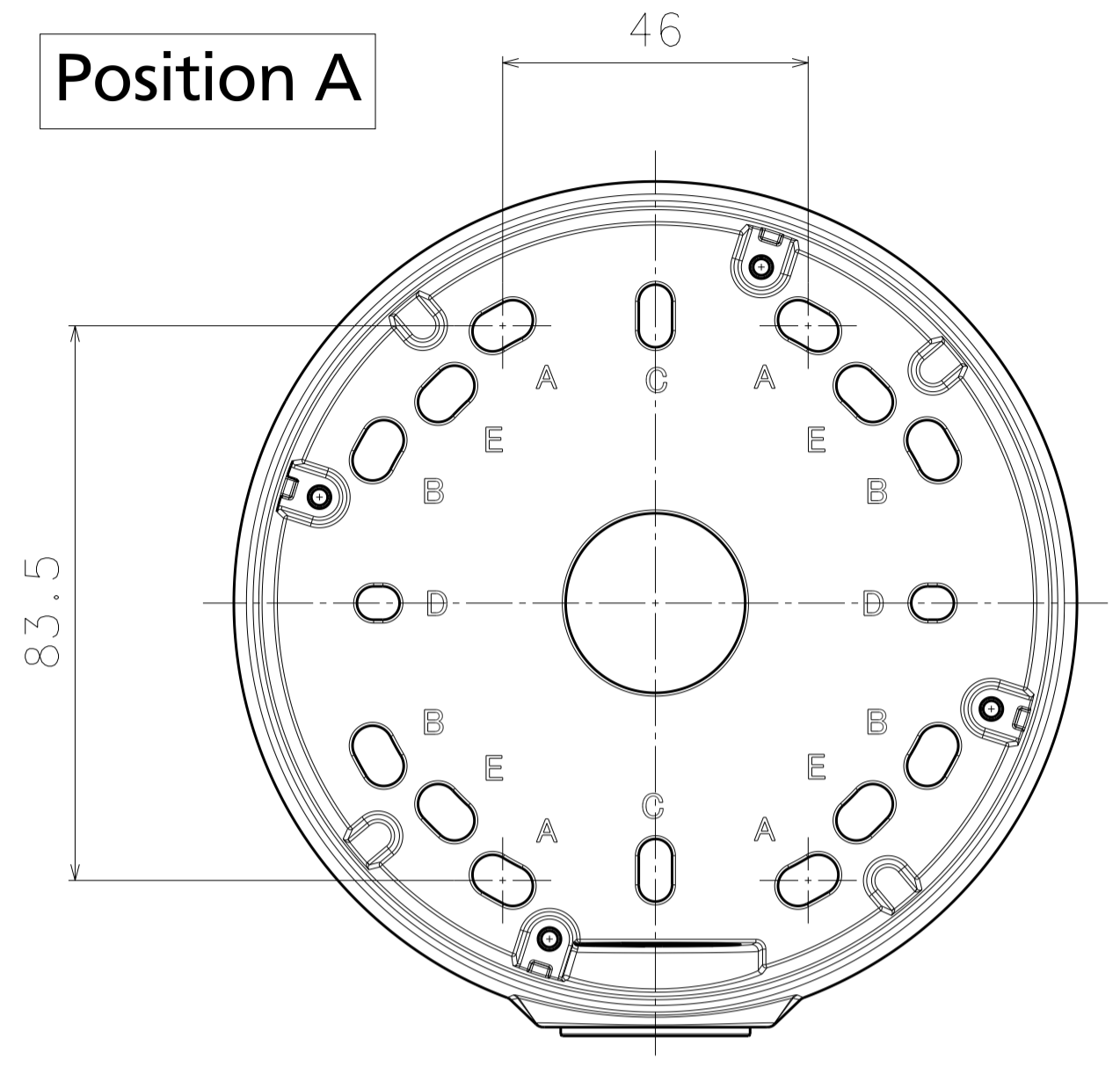
接続管用めねじ
 Cap for the female thread for the conduit
 JIS C 8305(電線管ねじ)のCTG22、または
 JIS B 0202(管用平行ねじ)のG3/4に対応しています。
 The female thread for conduit is compliant with
 ANSI NPSM (parallel pipe threads) 3/4 or
 ISO 228-1 (parallel pipe threads) G3/4.

| 投影面積/Projected area | |
|---------------------|-----------|
| 側面図/Side-view | 0.007 (㎡) |

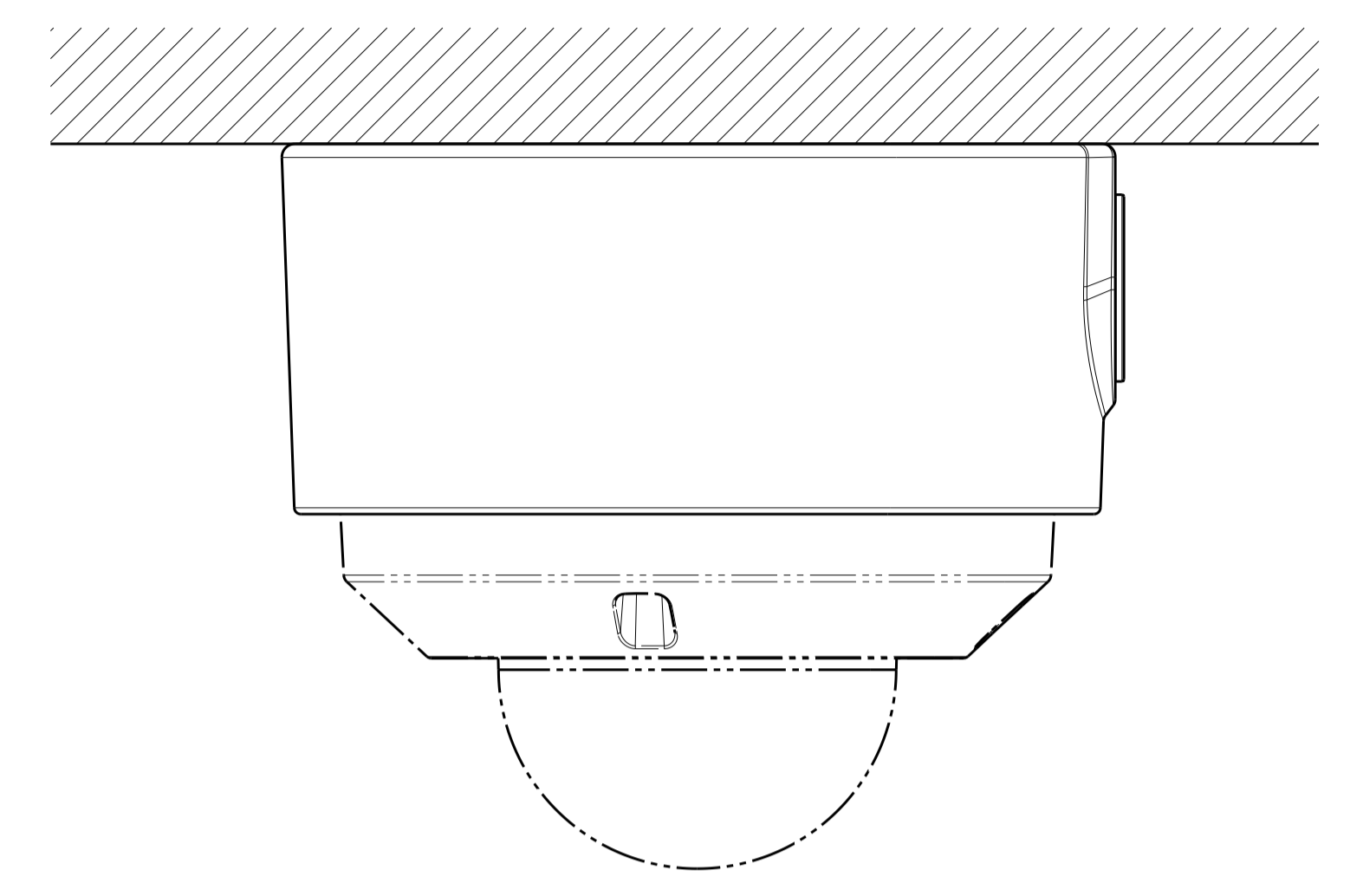
Weight : Approx. 460 g {1.02 lbs}

| Model number | Color |
|------------------------------|-------------|
| WV-QJB502-G (WV-QJB502-GZYS) | Light gray |
| WV-QJB502-W (WV-QJB502-WZYS) | i-PRO white |

Maounting hole layout



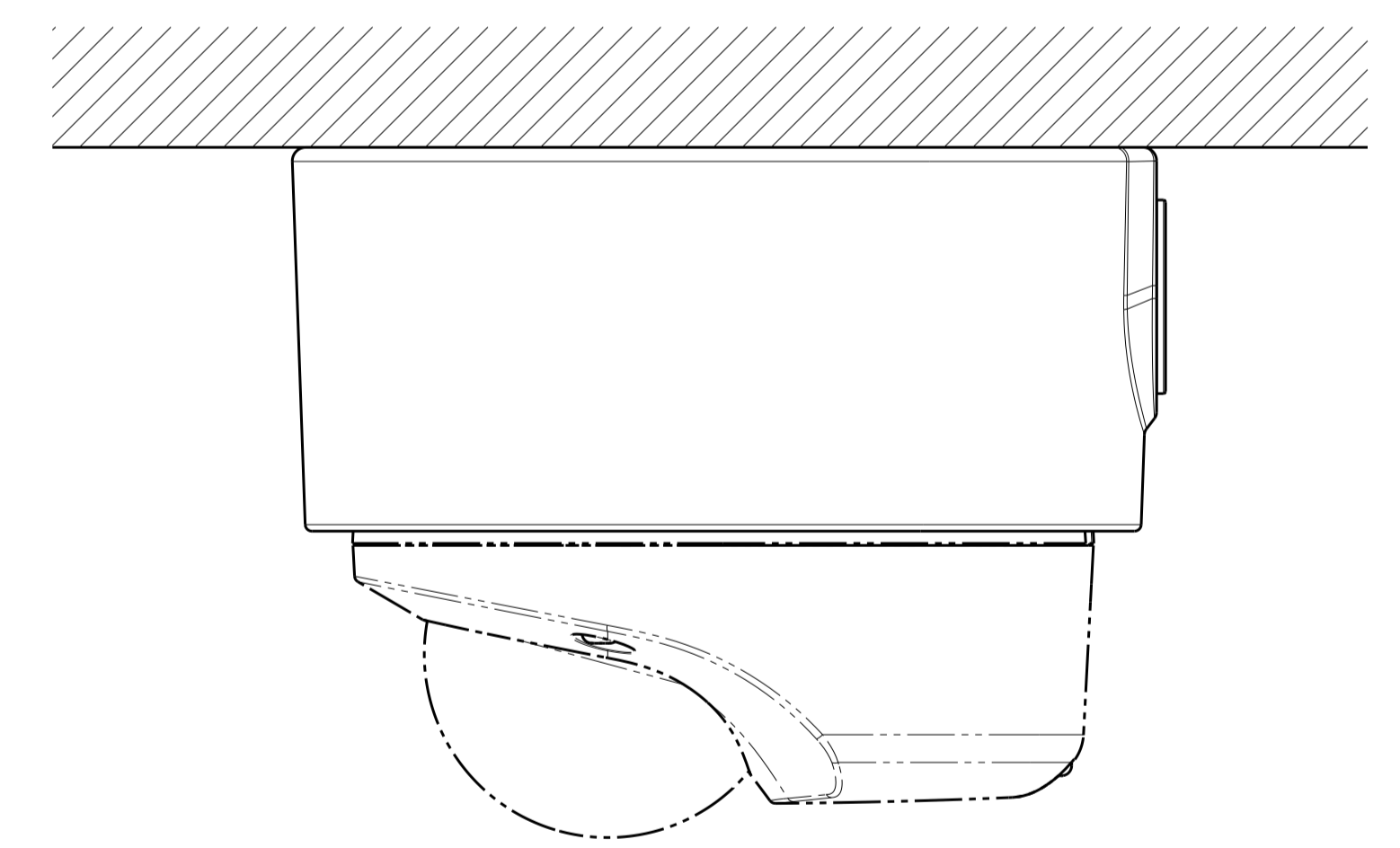
Attach to WV-U2530L



| 側面図/Side-view | 投影面積/Projected area |
|-----------------------|---------------------|
| WV-QJB502-W+WV-U2530L | 0.011 (㎡) |

注) WV-U2530Lを含む
Note) Include WV-U2530L

Attach to WV-S3531L



| 側面図/Side-view | 投影面積/Projected area |
|-----------------------|---------------------|
| WV-QJB502-G+WV-S3531L | 0.011 (㎡) |

注) WV-S3531Lを含む
Note) Include WV-S3531L