

4MP Indoor Dome Network Camera

Panasonic WV-U2140L captures the highest quality 4MP resolution images in even very challenging and dynamic environments. Intelligent Auto (iA) monitors scene dynamics and motion to adjust key camera settings automatically in real-time reducing distortion such as motion blur on moving objects. By adopting H.265 Smart Coding technology, bandwidth efficiency is intelligently increased for longer recording and less storage.

Extreme image quality allows evidence to be captured even under challenging conditions

- Auto Shutter speed control for fast moving objects
- Sharp and clear images of a walking person day & night
- Outstanding low light performance in true color with low noise for night time applications
- Super Dynamic 102dB for backlit situations involving headlights and shadows on night streets

Extreme bandwidth compression with Panasonic H.265 Smart Coding

- Longer recording and less storage compared to any H.264 based compression techniques
- Self-learning ROI* encoding (Auto VIQS) detects movement within the image and compresses the areas with little motion in order to reduce transmitted data while maintaining the quality of the image.

*Region of Interest

Key Features

- Approx. 4-megapixel up to 30fps
- iA (intelligent Auto)
- Super Dynamic 102dB
- Color night vision (0.019 to 0.3 lx)
- H.265 Smart Coding
- Corridor mode
(90 degrees or 270 degrees in image rotation)
- Onvif Profile G / T

Industry examples

- Retail
- Education
- Public safety
- Bank / Hospital / Building

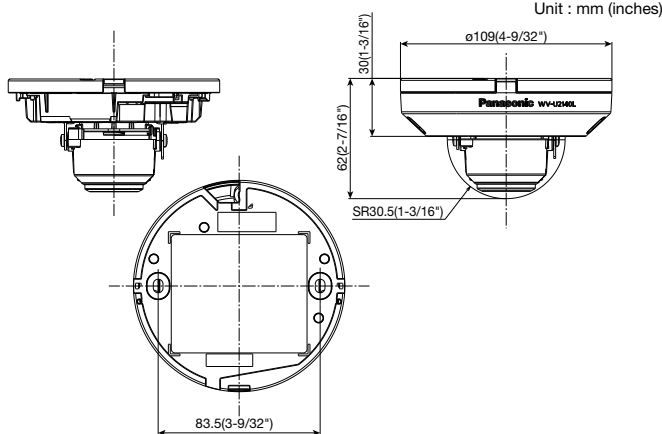


Specifications

Camera	Image Sensor	Approx. 1/2.7 type CMOS image sensor
	Effective pixels	Approx. 5.2 megapixels, 2688(H)×1944(V)
	Minimum Illumination	Color : 0.3 lx, BW : 0.12 lx (50IRE, F2.0, Maximum shutter : Off (1/30s), AGC : 11) BW : 0 lx (50IRE, F2.0, Maximum shutter : Off (1/30 s), AGC : 11, when the IR LED is lit) Color : 0.019 lx, BW : 0.0075 lx (50IRE, F2.0, Maximum shutter : max. 16/30s, AGC : 11) *1
	White Balance	ATW1 / ATW2 / AWC
	Maximum shutter	[30fps mode] Max. 1/10000 s to Max. 16/30 s [25fps mode] Max. 1/10000 s to Max. 16/25 s
	Intelligent Auto	On / Off
	Super Dynamic	On / Off, The level can be set in the range of 0 to 31.
	Dynamic Range	Max. 102 dB (Super Dynamic : On, Level: 31)
	Adaptive Black Stretch	The level can be set in the range of 0 to 255.
	Back light compensation / High light compensation	BLC (Back light compensation) / HLC (High light compensation) / Off The level can be set in the range of 0 to 31. (only when Super dynamic / Intelligent Auto : Off)
	Fog compensation	On / Off, The level can be set in the range of 0 to 8. (only when Intelligent auto / auto contrast adjust: Off)
	Maximum gain (AGC)	The level can be set in the range of 0 to 11.
	Color/BW (ICR)	Off / On (IR Light Off) / On (IR Light On) / Auto1 (IR Light Off) / Auto2 (IR Light On) / Auto3 (SCC)
	IR LED Light	High / Middle / Low / Off, Maximum irradiation distance : 20 m (Approx. 65 ft)
	Digital Noise Reduction	The level can be set in the range of 0 to 255.
	Video Motion Detection (VMD)	On / Off, 4 areas available
	Scene Change Detection (SCD)	On / Off, 1 area available
	Privacy Zone	On / Off, Up to 8 zones available
	VIQS	On / Off, Up to 8 zones available
	Image rotation ²	0° (Off) / 90° / 180° (Upside-down) / 270°
Camera Title (OSD)	On / Off, Up to 20 characters (alphanumeric characters, marks)	
Lens	Focal length	3.2 mm(1/8 inches)
	Optical zoom	1x
	Extra zoom	1.0x - 1.3x(when resolution is 1920x1080)
	Digital (electronic) zoom	Choose from 3 levels of x1, x2, x4
	Angular Field of View	[16 : 9 mode] * [4:3 mode] is not supported. Horizontal : 100° Vertical : 54°
	Maximum Aperture Ratio	1 : 2.0
DORI	Detect (25ppm / 8ppf)	43.0 m / 141.0 ft
	Observe (62.5ppm / 19ppf)	17.2 m / 56.4 ft
	Recognize (125ppm / 38ppf)	8.6 m / 28.2 ft
	Identify (250ppm / 76ppf)	4.3 m / 14.1 ft
Adjusting Angle	Horizontal (PAN) angle: -175 ° - +175 °, Vertical (TILT) angle: -30 ° - +80 ° Azimuth (YAW) angle: ±100 °	
Browser	Camera Control	
GUI	GUI /	English, Italian, French, German, Spanish, Portuguese, Russian,
	Setup Menu Language	Chinese, Japanese

Network	Network IF	10Base-T / 100Base-TX, RJ45 connector					
	Resolution H.265	[16:9 mode(2688x1520 30fps mode)], [16:9 mode(2688x1520 25fps mode)] 2688x1520, 1920x1080, 640x360, 320x180 [16:9 mode(30fps mode)], [16:9 mode(25fps mode)] 2560x1440, 1920x1080, 640x360, 320x180 *[4:3 mode] is not supported.					
	H.265	Transmission Mode	Constant bit rate / VBR / Frame rate / Best effort				
		Transmission Type	Unicast port(AUTO) / Unicast port(MANUAL) / Multicast				
	JPEG	Image Quality	Stream(1)	Stream(2)	Stream(3)	JPEG(1)	JPEG(2)
			2688x1520(30fps)	Off	Off	2560x1440(1fps)	1920x1080(1fps)
			2560x1440(30fps)	640x360(30fps)	Off	2560x1440(1fps)	1920x1080(1fps)
	Smart Coding	Audio Compression	GOP(Group of pictures) control: On(Frame rate control)/ On(Advanced)/ On(Mid.)/ On(Low)/ Off AUTO VIQS: On/ Off				
			Audio transmission mode -				
	Supported Protocol	No. of Simultaneous Users	IPV6 : TCP/IP, UDP/IP, HTTP, HTTPS, SMTP, DNS, NTP, SNMP, DHCPv6, RTP, MLD, ICMP, ARP, IEEE 802.1X, DiffServ IPV4 : TCP/IP, UDP/IP, HTTP, HTTPS, RTSP, RTP, RTP/RTCP, SMTP, DHCP, DNS, DDNS, NTP, SNMP, UPnP, IGMP, ICMP, ARP, IEEE 802.1X, DiffServ				
			Up to 14 users (Depends on network conditions)				
	Memory Card (Option)	Mobile Terminal Compatibility	H.265 recording: Manual REC / Alarm REC (Pre/Post) / Schedule REC Compatible microSDXC/microSDHC Memory Card: microSD speed class6 or higher Panasonic 32 GB*, 64 GB*model *microSDHC card, **microSDXC card				
			ONVIF Profile G / T				
	Alarm	Alarm Source	VMD alarm, SCD alarm, Command alarm				
		Alarm Actions	SDXC/SDHC/SD memory recording, E-mail notification, HTTP alarm notification, Indication on browser, Panasonic alarm protocol output				
	Input/Output	Monitor Output (for adjustment)	-				
		Audio input	-				
	General	Safety	UL (UL60950-1), c-UL (CSA C22.2 No.60950-1), CE, IEC60950-1				
		EMC	FCC (Part15 ClassA), ICES003 ClassA, EN55032 ClassB, EN55024				
	Power Source and Power Consumption	Power Source and Power Consumption	PoE (IEEE802.3af compliant) Device : DC48 V 110 mA, Approx. 5.3 W (Class 2 device)				
Ambient Operating Temperature		-10 °C to +50 °C (+14 °F to +122 °F) [Power On range: 0 °C to +50 °C (+32°F to +122 °F)]					
Ambient Operating Humidity		10 to 90 % (no condensation)					
Dimensions		ø109 mm x 62 mm (H) (ø4-9/32 inches x 2-7/16 inches (H)) Dome radius 30.5 mm (1-3/16 inches)					
Mass (approx.)		250 g (0.55 lbs)					
Finish		Main body : Aluminum die cast / Polycarbonate resin, i-PRO white Dome section : Polycarbonate resin, Clear					
		*1 Converted value					
		*2 When "4:3(30fps mode)" or "4:3(25fps mode)" is selected for "Image capture mode", "90 °" and "270 °" cannot be selected.					
		*3 Smart Coding(GOP and AUTO VIQS) is not available when setting 30fps.					

Appearance



Trademarks and registered trademarks

- iPad and iPhone are trademarks of Apple Inc., registered in the U.S. and other countries.
- Android is a trademark of Google LLC.
- ONVIF is trademarks or registered trademarks of Onvif Inc.
- All other trademarks identified herein are the property of their respective owners.

Important

- Safety Precautions : Carefully read the Basic Information, Installation Guide and Operating Instructions before using this product.
- Panasonic i-PRO Sensing Solutions Co., Ltd. cannot be held responsible for the performance of the network and/or other manufacturers' products used on the network.

Optional Accessories

Mount Bracket / Dome Cover / Other

Base bracket WV-QJB502-W (i-PRO white)	Ceiling Mount Bracket WV-QCL101-W (i-PRO white)	Wall Mount Bracket WV-QWL500-W (i-PRO white)
Adapter Box WV-QJB500-W (i-PRO white)	Pole Mount Bracket WV-QPL500-W (i-PRO white)	Corner Mount Bracket WV-QCN500-W (i-PRO white)
Dome Cover (Smoke type) WV-QDC500S		
*For indoor installation only		
(This bracket requires WV-QWL500-W.)		
(This bracket requires WV-QWL500-W.)		
(This bracket requires WV-QWL500-W.)		

- Brackets are available in four colors, Fine silver, Light gray, Gray and i-PRO white. It is possible to use them in different color combinations.

- Masses and dimensions are approximate. • Specifications are subject to change without notice.

Panasonic

Panasonic Corporation

Panasonic i-PRO Sensing Solutions Co., Ltd.

<https://ipro.panasonic.com>

<https://security.panasonic.com>

<https://www.linkedin.com/company/i-pro-sensing-solutions-co-ltd/>