

## 4MP Indoor Dome Network Camera

Panasonic WV-U2140L captures the highest quality 4MP resolution images in even very challenging and dynamic environments. Intelligent Auto (iA) monitors scene dynamics and motion to adjust key camera settings automatically in real-time reducing distortion such as motion blur on moving objects. By adopting H.265 Smart Coding technology, bandwidth efficiency is intelligently increased for longer recording and less storage.

### Extreme image quality allows evidence to be captured even under challenging conditions

- Auto Shutter speed control for fast moving objects
- Sharp and clear images of a walking person day & night
- Outstanding low light performance in true color with low noise for night time applications
- Super Dynamic 102dB for backlit situations involving headlights and shadows on night streets

### Extreme bandwidth compression with Panasonic H.265 Smart Coding

- Longer recording and less storage compared to any H.264 based compression techniques
- Self-learning ROI\* encoding (Auto VIQS) detects movement within the image and compresses the areas with little motion in order to reduce transmitted data while maintaining the quality of the image.

\*Region of Interest

### Key Features

- Approx. 4-megapixel up to 30fps
- iA (intelligent Auto)
- Super Dynamic 102dB
- Color night vision (0.019 to 0.3 lx)
- H.265 Smart Coding
- Corridor mode  
(90 degrees or 270 degrees in image rotation)
- Onvif Profile G / T

### Industry examples

- Retail
- Education
- Public safety
- Bank / Hospital / Building



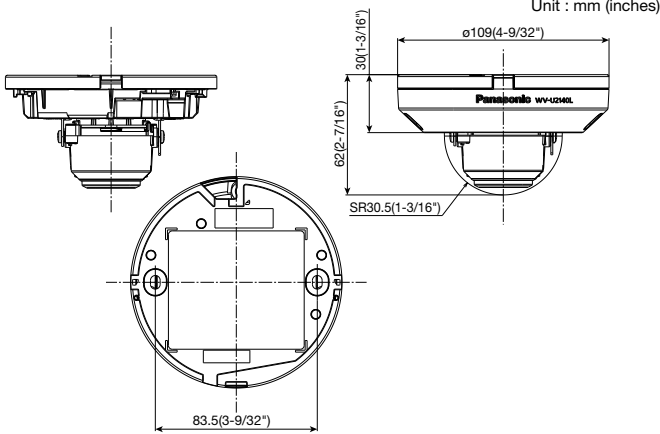
# Specifications

|                        |   |   |
|------------------------|---|---|
| <b>Camera</b>          | Image Sensor  | Approx. 1/2.7 type CMOS image sensor  |
|                        | Effective pixels  | Approx. 5.2 megapixels, 2688(H)×1944(V)   |
|                        | Minimum Illumination  | Color : 0.3 lx, BW : 0.12 lx<br>(50IRE, F2.0, Maximum shutter : Off (1/30s), AGC : 11)<br>BW : 0 lx<br>(50IRE, F2.0, Maximum shutter : Off (1/30 s), AGC : 11, when the IR LED is lit)<br>Color : 0.019 lx, BW : 0.0075 lx<br>(50IRE, F2.0, Maximum shutter : max. 16/30s, AGC : 11) *1 |
|                        | White Balance   | ATW1/ ATW2/ AWC   |
|                        | Maximum shutter   | [30fps mode] Max. 1/10000 s to Max. 16/30 s<br>[25fps mode] Max. 1/10000 s to Max. 16/25 s  |
|                        | Intelligent Auto  | On / Off  |
|                        | Super Dynamic   | On / Off, The level can be set in the range of 0 to 31.   |
|                        | Dynamic Range   | Max. 102 dB (Super Dynamic : On, Level: 31)   |
|                        | Adaptive Black Stretch  | The level can be set in the range of 0 to 255.  |
|                        | Back light compensation / High light compensation   | BLC (Back light compensation) / HLC (High light compensation) / Off<br>The level can be set in the range of 0 to 31.<br>(only when Super dynamic / Intelligent Auto : Off)  |
|                        | Fog compensation  | On / Off, The level can be set in the range of 0 to 8.<br>(only when Intelligent auto / auto contrast adjust: Off)  |
|                        | Maximum gain (AGC)  | The level can be set in the range of 0 to 11.   |
|                        | Color/BW (ICR)  | Off / On (IR Light Off) / On (IR Light On) / Auto1 (IR Light Off) / Auto2 (IR Light On) / Auto3 (SCC)   |
|                        | IR LED Light  | High / Middle / Low / Off, Maximum irradiation distance : 20 m (Approx. 65 ft)  |
|                        | Digital Noise Reduction   | The level can be set in the range of 0 to 255.  |
|                        | Video Motion Detection (VMD)  | On / Off, 4 areas available   |
|                        | Scene Change Detection (SCD)  | On / Off, 1 area available  |
|                        | Privacy Zone  | On / Off, Up to 8 zones available   |
| VIQS                   | On / Off, Up to 8 zones available   |   |
| Image rotation*2       | 0° (Off) / 90° / 180° (Upside-down) / 270°  |   |
| Camera Title (OSD)     | On / Off, Up to 20 characters (alphanumeric characters, marks)  |   |
| <b>Lens</b>            | Focal length  | 3.2 mm (1/8 inches)   |
|                        | Optical zoom  | 1x  |
|                        | Extra zoom  | 1.0x - 1.3x (when resolution is 1920x1080)  |
|                        | Digital (electronic) zoom   | Choose from 3 levels of x1, x2, x4  |
|                        | Angular Field of View   | [16 : 9 mode] * [4:3 mode] is not supported.<br>Horizontal : 100°<br>Vertical : 54°   |
|                        | Maximum Aperture Ratio  | 1 : 2.0   |
| Focusing Range         | 1 m (39-3/8 inches) - ∞   |   |
| <b>DORI</b>            | Detect (25ppm / 8ppf)   | 43.0 m / 141.0 ft   |
|                        | Observe (62.5ppm / 19ppf)   | 17.2 m / 56.4 ft  |
|                        | Recognize (125ppm / 38ppf)  | 8.6 m / 28.2 ft   |
|                        | Identify (250ppm / 76ppf)   | 4.3 m / 14.1 ft   |
| <b>Adjusting Angle</b> | Horizontal (PAN) angle: -175° ~ +175°, Vertical (TILT) angle: -30° ~ +80°<br>Azimuth (YAW) angle: ±100° |   |
|                        | Brightness  |   |
| <b>Browser GUI</b>     | Camera Control  | English, Italian, French, German, Spanish, Portuguese, Russian,   |
|                        | GUI / Setup Menu Language   | Chinese, Japanese   |

|                                   |  |  |   |                  |           |           |                 |                 |
|-----------------------------------|--|--|---|------------------|-----------|-----------|-----------------|-----------------|
| <b>Network</b>                    | Network IF   | 10Base-T / 100Base-TX, RJ45 connector  |   |                  |           |           |                 |                 |
|                                   | Resolution H.265   | [16:9 mode][2688x1520 30fps mode], [16:9 mode][2688x1520 25fps mode]<br>2688x1520, 1920x1080, 640x360, 320x180<br>[16:9 mode][30fps mode], [16:9 mode][25fps mode]<br>2560x1440, 1920x1080, 640x360, 320x180<br>* [4:3 mode] is not supported. |   |                  |           |           |                 |                 |
|                                   | H.265  | Transmission Mode  | Constant bit rate / VBR / Frame rate / Best effort          |                  |           |           |                 |                 |
|                                   |  | Transmission Type  | Unicast port(AUTO) / Unicast port(MANUAL) / Multicast       |                  |           |           |                 |                 |
|                                   | JPEG   | Image Quality  | Max. frame rate for each stream*3                           | Stream(1)        | Stream(2) | Stream(3) | JPEG(1)         | JPEG(2)         |
|                                   |  |  |   | 2688x1520(30fps) | Off       | Off       | 2560x1440(1fps) | 1920x1080(1fps) |
|                                   | Smart Coding   | GOP(Group of pictures) control:  | On(Frame rate control)/ On(Advanced)/ On(Mid./ On(Low)/ Off |                  |           |           |                 |                 |
|                                   |  |  | AUTO VIQS: On/ Off  |                  |           |           |                 |                 |
|                                   | Audio Compression  | -  |   |                  |           |           |                 |                 |
|                                   | Audio transmission mode  | -  |   |                  |           |           |                 |                 |
| Supported Protocol                | IPv6 : TCP/IP, UDP/IP, HTTP, HTTPS, SMTP, DNS, NTP, SNMP, DHCPv6, RTP, MLD, ICMP, ARP, IEEE 802.1X, DiffServ<br>IPv4 : TCP/IP, UDP/IP, HTTP, HTTPS, RTSP, RTP, RTSP/RTCP, SMTP, DHCP, DNS, DDNS, NTP, SNMP, UPnP, IGMP, ICMP, ARP, IEEE 802.1X, DiffServ |  |   |                  |           |           |                 |                 |
| No. of Simultaneous Users         | Up to 14 users (Depends on network conditions)   |  |   |                  |           |           |                 |                 |
| SDXC/SDHC/SD Memory Card (Option) | H.265 recording:<br>Manual REC / Alarm REC (Pre/Post) / Schedule REC<br>Compatible microSDXC/microSDHC Memory Card:<br>microSD speed class6 or higher<br>Panasonic 32 GB*, 64 GB** model<br>*microSDHC card, **microSDXC card                            |  |   |                  |           |           |                 |                 |
| Mobile Terminal Compatibility     | iPad, iPhone, Android™ terminals   |  |   |                  |           |           |                 |                 |
| Alarm                             | Alarm Source   | VMD alarm, SCD alarm, Command alarm  |   |                  |           |           |                 |                 |
|                                   | Alarm Actions  | SDXC/SDHC/SD memory recording, E-mail notification, HTTP alarm notification, Indication on browser, Panasonic alarm protocol output  |   |                  |           |           |                 |                 |
| Input/Output                      | Monitor Output (for adjustment)  | -  |   |                  |           |           |                 |                 |
|                                   | Audio input  | -  |   |                  |           |           |                 |                 |
|                                   | Audio Output   | -  |   |                  |           |           |                 |                 |
|                                   | External I/O Terminals   | -  |   |                  |           |           |                 |                 |
| <b>General</b>                    | Safety   | UL (UL60950-1), c-UL (CSA C22.2 No.60950-1), CE, IEC60950-1  |   |                  |           |           |                 |                 |
|                                   | EMC  | FCC (Part15 ClassA), ICES003 ClassA, EN55032 ClassB, EN55024   |   |                  |           |           |                 |                 |
|                                   | Power Source and Power Consumption   | PoE (IEEE802.3af compliant) Device :<br>DC48 V 110 mA, Approx. 5.3 W (Class 2 device)  |   |                  |           |           |                 |                 |
|                                   | Ambient Operating Temperature  | -10 °C to +50 °C (+14 °F to +122 °F)   |   |                  |           |           |                 |                 |
|                                   | Temperature  | {Power On range: 0 °C to +50 °C (+32°F to +122 °F)}  |   |                  |           |           |                 |                 |
|                                   | Ambient Operating Humidity   | 10 to 90 % (no condensation)   |   |                  |           |           |                 |                 |
|                                   | Dimensions   | ø109 mm x 62 mm (H) (ø4-9/32 inches x 2-7/16 inches (H))<br>Dome radius 30.5 mm (1-3/16 inches)  |   |                  |           |           |                 |                 |
|                                   | Mass (approx.)   | 250 g (0.55 lbs)   |   |                  |           |           |                 |                 |
|                                   | Finish   | Main body : Aluminum die cast / Polycarbonate resin, i-PRO white<br>Dome section : Polycarbonate resin, Clear  |   |                  |           |           |                 |                 |

\*1 Converted value  
\*2 When "4:3(30fps mode)" or "4:3(25fps mode)" is selected for "Image capture mode", "90 °" and "270 °" cannot be selected.  
\*3 Smart Coding(GOP and AUTO VIQS) is not available when setting 30fps.

# Appearance



### Trademarks and registered trademarks

- iPad and iPhone are trademarks of Apple Inc., registered in the U.S. and other countries.
- Android is a trademark of Google LLC.
- ONVIF is trademarks or registered trademarks of Onvif Inc.
- All other trademarks identified herein are the property of their respective owners.

### Important

- Safety Precautions : Carefully read the Basic Information, Installation Guide and Operating Instructions before using this product.
- Panasonic i-PRO Sensing Solutions Co., Ltd. cannot be held responsible for the performance of the network and/or other manufacturers' products used on the network.

# Optional Accessories

## Mount Bracket / Dome Cover / Other

|  |   |  |
|--|---|--|
| <b>Base bracket</b><br><b>WV-QJB502-W</b><br>(i-PRO white) | <b>Ceiling Mount Bracket</b><br><b>WV-QCL100-W</b><br>(i-PRO white) | <b>Wall Mount Bracket</b><br><b>WV-QWL500-W</b><br>(i-PRO white)   |
|  |   |  |
| <b>Adapter Box</b><br><b>WV-QJB500-W</b><br>(i-PRO white)  | <b>Pole Mount Bracket</b><br><b>WV-QPL500-W</b><br>(i-PRO white)    | <b>Corner Mount Bracket</b><br><b>WV-QCN500-W</b><br>(i-PRO white) |
|  |   |  |
| <b>Dome Cover (Smoke type)</b><br><b>WV-QDC500S</b>        |   |  |
|  |   |  |

- Brackets are available in four colors, Fine silver, Light gray, Gray and i-PRO white. It is possible to use them in different color combinations.
- Masses and dimensions are approximate. • Specifications are subject to change without notice.



Panasonic Corporation

Panasonic i-PRO Sensing Solutions Co., Ltd.

<https://ipro.panasonic.com>

<https://security.panasonic.com>

<https://www.linkedin.com/company/i-pro-sensing-solutions-co-ltd/>