

## Full HD Varifocal Lens Indoor Box Network Camera

Panasonic WV-U1132 captures the highest quality images in even very challenging and dynamic environments. Intelligent Auto (iA) monitors scene dynamics and motion to adjust key camera settings automatically in real-time reducing distortion such as motion blur on moving objects. By adopting H.265 Smart Coding technology, bandwidth efficiency is intelligently increased for longer recording and less storage.

### Extreme image quality allows evidence to be captured even under challenging conditions

- Auto Shutter speed control for fast moving objects
- Sharp and clear images of a walking person day & night
- Outstanding low light performance in true color with low noise for night time applications
- Super Dynamic 120dB for backlit situations involving headlights and shadows on night streets

### Extreme bandwidth compression with Panasonic H.265 Smart Coding

- Longer recording and less storage compared to any H.264 based compression techniques
- Self-learning ROI\* encoding (Auto VIQS) detects movement within the image and compresses the areas with little motion in order to reduce transmitted data while maintaining the quality of the image.

\*Region of Interest

### Key Features

- Full HD 1080p up to 30fps
- 2.5x built-in motorized zoom and motorized focus lens
- iA (intelligent Auto)
- Super Dynamic 120dB
- Color night vision (0.006 to 0.1 lx)
- H.265 Smart Coding
- Corridor mode  
(90 degrees or 270 degrees in image rotation)
- Onvif Profile G / T

### Industry examples

- Retail
- Education
- Public safety
- Bank / Hospital / Building



**i-PRO**

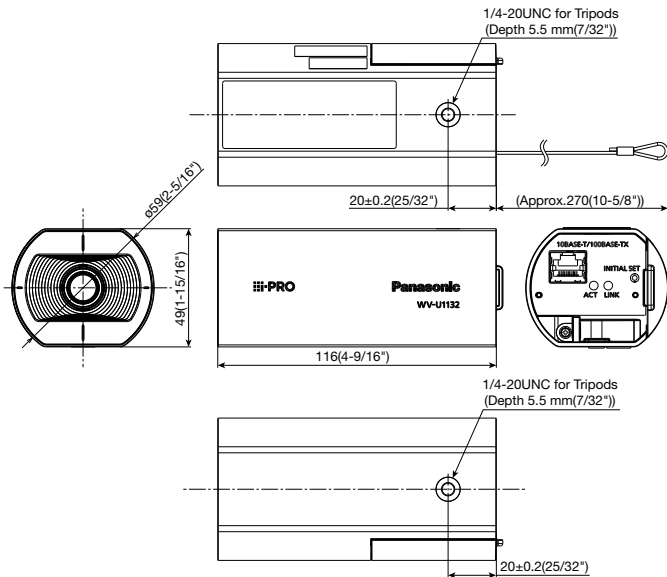
# Specifications

<b>Camera</b>	Image Sensor	Approx. 1/3 type CMOS image sensor		
	Minimum Illumination	Color : 0.1 lx, BW: 0.04 lx (50IRE, F2.0, Maximum shutter: Off (1/30s), AGC: 11) Color : 0.006 lx, BW: 0.0025 lx (50IRE, F2.0, Maximum shutter: max. 16/30s, AGC: 11) <sup>*1</sup>		
	White Balance	ATW1/ ATW2/ AWC		
	Maximum shutter	<b>[30fps mode]</b> Max. 1/10000 s to Max. 16/30 s <b>[25fps mode]</b> Max. 1/10000 s to Max. 16/25 s		
	Intelligent Auto	On / Off		
	Super Dynamic	On / Off, The level can be set in the range of 0 to 31.		
	Dynamic Range	Max.120 dB (Super Dynamic: On, Level: 31)		
	Adaptive Black Stretch	-		
	Back light compensation / High light compensation	BLC (Back light compensation) / HLC (High light compensation) / Off (only when Super dynamic / Intelligent Auto: Off)		
	Fog compensation	On / Off (only when Intelligent auto / auto contrast adjust: Off)		
	Maximum gain (AGC)	The level can be set in the range of 0 to 11.		
	Color/BW (ICR)	Off / On / Auto1 (Normal) / Auto2 (IR Light) / Auto3 (SCC)		
	Digital Noise Reduction	The level can be set in the range of 0 to 255.		
	Video Motion Detection (VMD)	On / Off, 4 areas available		
	Scene Change Detection(SCD)	On / Off, 1 areas available		
	Privacy Zone	On / Off, Up to 8 zones available		
	Image rotation <sup>*2</sup>	0° (Off) / 90° / 180° (Upside-down) / 270°		
	Camera Title (OSD)	On / Off, Up to 20 characters (alphanumeric characters, marks)		
	<b>Lens</b>	Focal length	2.9 mm – 7.3 mm(1/8inches-9/32inches)	
		Optical zoom	2.5x (Motorized zoom / Motorized focus)	
Extra optical zoom		2.5x - 3.8x (when resolution is 1280x720)		
Digital (electronic) zoom		Choose from 3 levels of x1, x2, x4		
Angular Field of View		<b>[16 : 9 mode]</b> Horizontal : 44° (TELE) – 102° (WIDE), Vertical : 24° (TELE) – 56° (WIDE) <b>[ 4 : 3 mode]</b> Horizontal : 36° (TELE) – 84° (WIDE), Vertical : 27° (TELE) – 63° (WIDE)		
<b>DORI</b>	Maximum Aperture Ratio	1 : 2.0 (WIDE) – 1 : 3.0 (TELE)		
	Focusing Range	1 m (39-3/8 inches) – ∞		
	Detect (25ppm / 8ppf)	Wide: 35.5 m / 116.6 ft, Tele: 98.5 m / 323.1 ft		
	Observe (62.5ppm / 19ppf)	Wide: 14.2 m / 46.6 ft, Tele: 39.4 m / 129.2 ft		
	Recognize (125ppm / 38ppf)	Wide: 7.1 m / 23.3 ft, Tele: 19.7 m / 64.6 ft		
<b>Browser GUI</b>	Camera Control	Brightness		
	GUI / Setup Menu Language	English, Italian, French, German, Spanish, Portuguese, Russian, Chinese, Japanese		
<b>Network</b>	Network IF	10Base-T / 100Base-TX, RJ45 connector		
	Resolution	<b>[16 : 9 mode]</b> 1920x1080, 1280x720, 640x360, 320x180 <b>[ 4 : 3 mode]</b> 1600x1200, 1280x960, VGA, QVGA		
	H.265	Constant bit rate / VBR / Frame rate / Best effort		
	Transmission Mode	Unicast / Multicast		
		Stream(1)	Stream(2)	Stream(3)
Max. frame rate for each stream <sup>*3</sup>	1920x1080(30fps)	640x360(30fps)	Off	
	1280x720(30fps)	1280x720(30fps)	Off	
	1600x1200(30fps)	640x480(30fps)	Off	
JPEG	Image Quality	10 steps		

<b>Network</b>	Smart Coding	<b>GOP(Group of pictures) control:</b> On(Frame rate control)/ On(Advanced)/ On(Mid.)/ On(Low)/ Off <b>AUTO VIQS:</b> On/ Off	
	Audio Compression	-	
	Audio transmission mode	-	
	Supported Protocol	IPv6 : TCP/IP, UDP/IP, HTTP, HTTPS, SMTP, DNS, NTP, SNMP, DHCPv6, RTP, MLD, IGMP, ARP, IEEE 802.1X, DiffServ IPv4 : TCP/IP, UDP/IP, HTTP, HTTPS, RTSP, RTP, RTP/RTCP, SMTP, DHCP, DNS, DDNS, NTP, SNMP, UPnP, IGMP, ICMP, ARP, IEEE 802.1X, DiffServ	
	No. of Simultaneous Users	Up to 14 users (Depends on network conditions)	
	SDXC/SDHC/SD Memory Card (Option)	H.265 recording: Manual REC / Alarm REC (Pre/Post) / Schedule REC Compatible microSDXC/microSDHC Memory Card: Panasonic 32 GB*, 64 GB**model *microSDXC card, **microSDHC card	
	Mobile Terminal Compatibility	iPad, iPhone, Android™ terminals	
	ONVIF Profile	G / T	
	<b>Alarm</b>	Alarm Source	VMD alarm, SCD alarm, Command alarm
		Alarm Actions	SDXC/SDHC/SD memory recording, E-mail notification, HTTP alarm notification Indication on browser, Panasonic alarm protocol output
<b>Input/ Output</b>	Monitor Output(for adjustment)	-	
	Audio input	-	
	Audio Output	-	
	External I/O Terminals	-	
<b>General</b>	Safety	UL (UL60950-1), c-UL (CSA C22.2 No.60950-1), CE, IEC60950-1	
	EMC	FCC (Part15 ClassA), ICES003 ClassA, EN55032 ClassB, EN55024	
	Power Source and Power Consumption	PoE (IEEE802.3af compliant) Device: DC48 V 90 mA, Approx. 4.3 W (Class 2 device)	
	Ambient Operating Temperature	-10 °C to +50 °C (+14 °F to +122 °F) {Power On range: 0 °C to +50 °C (+32°F to +122 °F)}	
	Ambient Operating Humidity	10 to 90 % (no condensation)	
	Dimensions	59 mm (W) x 49 mm (H) x 116 mm (D) {2-5/16 inches (W) x 1-15/16 inches (H) x 4-9/16 inches (D)} (excluding side cover)	
	Mass (approx.)	155 g { 0.34 lbs.}	
	Finish	Main body: PC / ABS resin, i-PRO white	
	*1 Converted value		
	*2 When "4:3(30fps mode)" or "4:3(25fps mode)" is selected for "Image capture mode", "90 °" and "270 °" cannot be selected.		
*3 Smart Coding(GOP and AUTO VIQS) is not available when setting 30fps.			

# Appearance

Unit : mm (inches)



### Trademarks and registered trademarks

- iPad and iPhone are trademarks of Apple Inc., registered in the U.S. and other countries.
- Android is a trademark of Google LLC.
- ONVIF is trademarks or registered trademarks of Onvif Inc.
- All other trademarks identified herein are the property of their respective owners.

### Important

- Safety Precautions : Carefully read the Basic Information, Installation Guide and Operating Instructions before using this product.
- Panasonic i-PRO Sensing Solutions Co., Ltd. cannot be held responsible for the performance of the network and/or other manufacturers' products used on the network.

• Masses and dimensions are approximate. • Specifications are subject to change without notice.



Panasonic Corporation

Panasonic i-PRO Sensing Solutions Co., Ltd.

<https://ipro.panasonic.com>

<https://security.panasonic.com>

<https://www.linkedin.com/company/i-pro-sensing-solutions-co-ltd/>