

2MP (1080p) Indoor Compact Dome Network Camera

The WV-S3131L is a compact & simple design multifunction camera that achieves high visibility even under extreme conditions and can be placed in a small space without damaging the landscape. Intelligent Auto (iA) allows the camera to automatically adjust the key settings in real-time depending on the scenery and movement, reducing distortion such as motion blur and moving objects. New industry-leading 144dB dynamic range delivers balanced scene exposure in dynamic and extreme-backlit lighting environments. In addition, color night vision provides outstanding low-light performance with accurate color rendition and saturation from i-Pro's 1/3" sensor, rivaling the performance of costlier 1/2" sensor cameras in the market. By adopting H.265 Smart Coding technology, intelligently reduces bandwidth efficiency of up to 95%* more than conventional H.264 for longer recording and less storage. Cameras out-of-the-box, use an encryption module standardized by FIPS Publication 140-2 for secure video streaming.

*Value in Advanced mode with Smart Facial Coding depends on scene.

Extreme image quality allows evidence to be captured even under challenging conditions

- Auto Shutter speed control for fast moving objects with Intelligent Auto
- Sharp and clear images of a walking person day & night
- Outstanding low light performance in true color with low noise for night time applications
- Super Dynamic 144dB for backlit situations on entrance.
- Built-in IR LED to produce a clear monochrome image in 0 lux conditions with 15 m (49 feet) irradiation distance
- Wide area surveillance even in compact design. moreover, corridor mode to survey vertically long area.

Extreme bandwidth compression with new H.265 Smart Coding

- Longer recording and less storage compared to any H.264 based compression techniques
- New self-learning ROI* encoding (Auto VIQS) detects movement within the image and compresses the areas with little motion in order to reduce transmitted data while maintaining the quality of the image.
- New "Smart Facial Coding" adds more bandwidth reduction for ID camera applications mainly capturing faces

*Region of Interest

Extreme Data Security

- Full encryption microSDXC/microSDHC/microSD card edge recording to keep your data safe
- FIPS140-2 CAVP compliant *Using encryption module standardized by FIPS publication 140-2
- Full end-to-end system encryption with supported VMS and devices to protect from IP snooping/spoofing and detect data alteration

Key Features

- 2MP (1080p) up to 60fps
- iA (intelligent Auto)
- Extreme Super Dynamic 144dB
- Color night vision (0.0019 to 0.03 lx)
- H.265 Smart Coding
- Built-in IR LED
- Corridor mode
(90 degrees or 270 degrees in image rotation)
- i-VMD License Bundled
- ONVIF® Profile G / S / T

*ONVIF is a trademark of ONVIF, Inc.

Industry examples

- Education
- Retail
- Bank (ATM)
- Building



Specifications

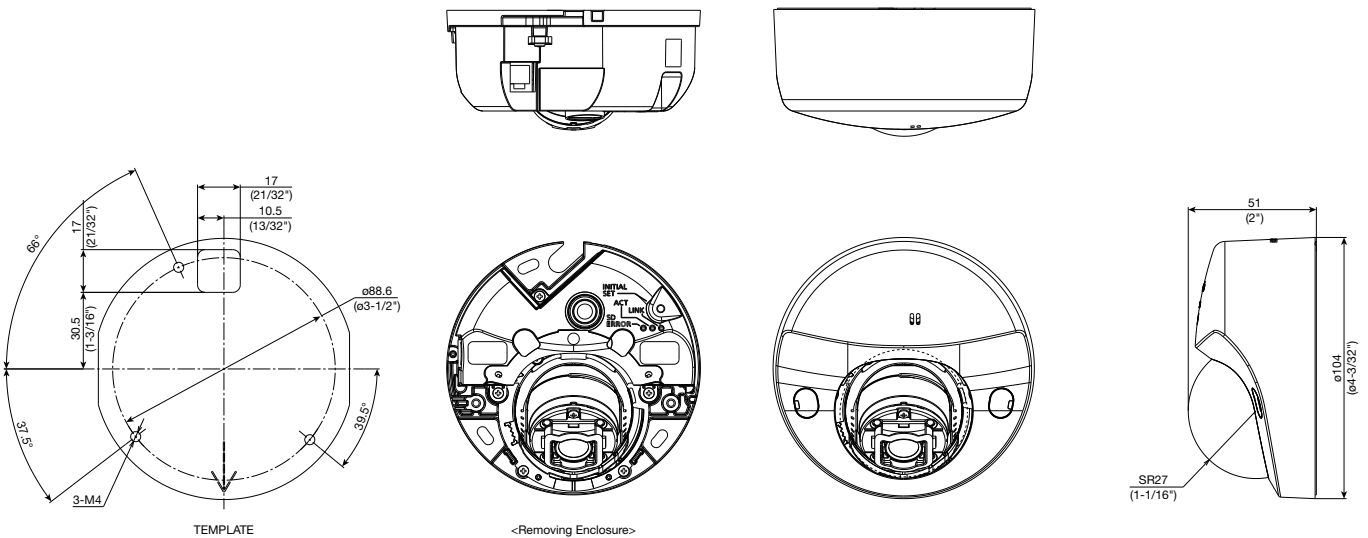
Camera	Image Sensor	Approx. 1/3 type CMOS image sensor		
	Minimum Illumination	Color : 0.03 lx, BW : 0.015 lx (F2.3, Maximum shutter : Off (1/30s), AGC : 11) BW : 0 lx (F2.3, Maximum shutter : Off (1/30 s), AGC : 11, when the IR LED is lit) Color : 0.0019 lx, BW : 0.0009 lx (F2.3, Maximum shutter : max. 16/30s, AGC : 11) **		
	White Balance	AWC (2,000 - 10,000 K), ATW1 (2,700 - 6,000 K), ATW2 (2,000 - 6,000 K)		
	Maximum shutter	Max. 1/10000 s to Max. 16/30 s		
	Intelligent Auto	On / Off		
	Super Dynamic ²	On / Off. The level can be set in the range of 0 to 31.		
	Dynamic Range	Max.144 dB typ. (Super Dynamic : On)		
	Adaptive Black Stretch	The level can be set in the range of 0 to 255.		
	Back light compensation / High light compensation	BLC (Back light compensation) / HLC (High light compensation) / Off (only when Super dynamic / Intelligent Auto : Off)		
	Fog compensation	On / Off (only when Intelligent auto / auto contrast adjust : Off)		
	Maximum gain	The level can be set in the range of 0 to 11.		
	Color/BW (ICR)	Off / On (IR Light Off) / On (IR Light On) / Auto1 (IR Light Off) / Auto2 (IR Light On) / Auto3 (SCC)		
	IR LED Light	High / Middle / Low / Off, Maximum irradiation distance : 15 m (Approx. 49 ft)		
	Digital Noise Reduction	The level can be set in the range of 0 to 255.		
	Video Motion Detection (VMD)	On / Off, 4 areas available		
	Intelligent VMD (i-VMD) ³	Type 4 *Bundled License		
	Privacy Zone	On / Off. Up to 8 zones available		
	Image rotation ⁴	0 ° / 90 ° / 180 °(Upside-down) / 270 °		
	Mirror	On / Off		
	Camera Title (OSD)	On / Off. Up to 20 characters (alphanumeric characters, marks)		
Lens	Zoom Ratio	1 x Optical		
	Digital (electronic) zoom	Choose from 3 levels of x1, x2, x4		
	Focal length	2.8 mm (1/8 inches)		
	Angular Field of View	[16 : 9 mode] Horizontal : 108° Vertical : 60°		
		[4 : 3 mode] Horizontal : 89° Vertical : 66°		
	Maximum Aperture Ratio	1 : 2.3		
Focus range	0.5 m (19-11/16 inches) – ∞			
Adjusting Angle	Horizontal (PAN) angle : ±45°, Vertical (TILT) angle : 0 to +90°, Azimuth (YAW) angle : ±90°			
Browser GUI	Camera Control	Brightness		
	GUI / Setup Menu Language	English, Italian, French, German, Spanish, Portuguese, Russian, Chinese, Japanese		
Network	Network IF	10Base-T / 100Base-TX, RJ45 connector		
	Resolution	*2 mega pixel [16 : 9] (30/60 fps) 1,920 x 1,080 / 1,280 x 720 / 640 x 360 / 320 x 180		
	H.265 / H.264	*3 mega pixel [4 : 3] (30 fps) 2,048 x 1,536 ⁵ / 1,280 x 960 / 800 x 600 / 640 x 480 / 400 x 300 / 320 x 240		
	JPEG (MJPEG)	Constant bit rate / VBR / Frame rate / Best effort		
	H.265 / H.264 ⁶	Transmission Mode	Unicast / Multicast	
	JPEG	Transmission Type	Unicast / Multicast	
	JPEG	Image Quality	10 steps	
Smart Coding	GOP(Group of pictures) control [When H.264 is selected] On(Mid) / On(Low) / Off [When H.265 is selected] On(Frame rate control) / On(Advanced) / On(Mid) / On(Low) / Off			
	Smart Facial Coding* Off / On(AUTO VIQS) / On(Smart Facial Coding) *Smart Facial Coding is only available with Stream(1).			
	Brightness			

Network	Audio Compression	G.726 (ADPCM) : 16 kbps / 32 kbps G.711 : 64 kbps AAC-LC ⁷ : 64 kbps / 96 kbps / 128 kbps	
	Supported Protocol	IPv6 : TCP/IP, UDP/IP, HTTP, HTTPS, RTP, FTP, SMTP, DNS, NTP, SNMP, DHCPv6, MLD, ICMP, ARP, IEEE 802.1X, DiffServ, SSL/TLS ⁸ , SRTP ⁹ , SFTP ⁹ , MQTT ⁹ , LLDP ⁹ IPv4 : TCP/IP, UDP/IP, HTTP, HTTPS, RTSP, RTP, RTSP/RTCP, FTP, SMTP, DHCP, DNS, DDNS, NTP, SNMP, UPnP, IGMP, ICMP, ARP, IEEE 802.1X, DiffServ, SSL/TLS ⁸ , SRTP ⁹ , SFTP ⁹ , MQTT ⁹ , LLDP ⁹	
	No. of Simultaneous Users	Up to 14 users (Depends on network conditions)	
	microSDXC/microSDHC/microSD Memory Card ^{9,10}	H.265 / H.264 recording : Manual REC / Alarm REC (Pre/Post) / Schedule REC / Backup upon network failure JPEG recording : Manual REC / Alarm REC (Pre/Post) / Backup upon network failure Compatible microSDXC/microSDHC/microSD Memory Card : Panasonic 2 GB, 4 GB*, 8 GB*, 32 GB*, 64 GB**model *microSDHC card, **microSDXC card	
	Mobile Terminal Compatibility	iPad, iPhone, Android™ terminals	
	ONVIF ⁹ Profile	G / S / T	
Alarm	Alarm Source	VMD alarm ¹¹ , Command alarm, Audio detection alarm	
	Alarm Actions	microSDXC/microSDHC/microSD memory recording, E-mail notification, HTTP alarm notification Indication on browser, FTP image transfer, TCP alarm notification output	
Input/Output	Built-in microphone	Nondirectional electret condenser microphone	
General	Safety	UL (UL60950-1 2Ed), c-UL (CAN/CSA C22. NO.60950-1-07), CE, IEC60950-1	
	EMC	FCC (Part15 Subpart B, ClassA, SDoC), ICES-003 ClassA, EN55032 ClassB, EN55024	
	Power Source and Power Consumption	PoE (IEEE802.3af compliant) Device : DC48 V 80 mA, Approx. 3.8 W (Class 2 device)	
	Ambient Operating Temperature	0 °C to +40 °C (32 °F to 104 °F)	
	Ambient Operating Humidity	10 to 90 % (no condensation)	
	Dimensions	ø104 mm x 51 mm (H) (ø4-3/32 inches x 2 inches (H)) Dome radius 27 mm (1-1/16 inches)	
	Mass (approx.)	Approx. 255 g (0.56 lbs)	
	Finish	Main body : ABS resin, Sail white Dome section : Polycarbonate resin, Clear	

- *1 Converted value
- *2 Super Dynamic function is automatically set off on 60 fps mode.
- *3 Smart Facial Coding, i-VMD can not be used at the same time.
- *4 Settings of [90 °] and [270 °] are only available for the [16 : 9 mode].
- *5 Used by super resolution techniques
- *6 Transmission for 4 streams can be individually set.
- *7 When recording audio on a microSDXC/microSDHC/microSD memory card, only use AAC-LC (Advanced Audio Coding - Low Complexity).
- *8 It may be necessary to upgrade the firmware to use these protocols
- *9 The replacement cycle (target) of a microSD memory card differs from that of a standard size SD memory card. For details, check the content of the i-PRO Support website (<https://i-pro.com/global/en/surveillance/training-support/support/technical-information> <Control No.: C0117>).
- *10 For details, check the content of the i-PRO Support Web Site (<https://i-pro.com/global/en/surveillance/training-support/support/technical-information> <Control No.: C0107> <Control No.: C0306><Control No.: C0307>)
- *11 Including alarms from Plug-in Software

Appearance

Unit : mm (inches)



Bundled License

Plug-in Software for i-VMD

i-VMD is possible to detect objects in the specified area by advanced video analysis technology.

i-VMD : Intruder Detection, Loitering Detection, Direction Detection, Scene Change Detection,
Object Detection, Cross Line Detection



Notification sent to the monitoring screen

Optional Accessories

Mount Bracket / Dome Cover

<p>Ceiling Mount Bracket WV-QCL101-W (i-PRO white)</p> <p>*For indoor installation only</p> 	<p>Wall Mount Bracket WV-QWL500-W (i-PRO white)</p> 	<p>Adapter Box WV-QJB500-W (i-PRO white)</p> <p>(This bracket requires WV-QWL500-W.)</p> 	<p>Pole Mount Bracket WV-QPL500-W (i-PRO white)</p> 	<p>Corner Mount Bracket WV-QCN500-W (i-PRO white)</p> 	<p>Dome Cover (Smoke type) WV-CW6SA</p> 
----------------------------------------------------------------------------------------------------------------------------------------------------------------------------------------------	------------------------------------------------------------------------------------------------------------------------------------------------------	-------------------------------------------------------------------------------------------------------------------------------------------------------------------------------------------	-------------------------------------------------------------------------------------------------------------------------------------------------------	----------------------------------------------------------------------------------------------------------------------------------------------------------	----------------------------------------------------------------------------------------------------------------------------------------

• Brackets are available in four colors, Fine silver, Light gray, Gray and i-PRO white. It is possible to use them in different color combinations.

Important

- Safety Precautions : Carefully read the Basic Information, Installation Guide and Operating Instructions before using this product.
- i-PRO Co., Ltd. cannot be held responsible for the performance of the network and/or other manufacturers' products used on the network.

Trademarks and registered trademarks

- iPad and iPhone are trademarks of Apple Inc., registered in the U.S. and other countries.
- Android is a trademark of Google LLC.
- ONVIF is a trademark of ONVIF, Inc.
- All other trademarks identified herein are the property of their respective owners.

• Masses and dimensions are approximate. • Specifications are subject to change without notice.