

4K Outdoor Bullet Network Camera

Designed to equip security professionals with the best possible CCTV footage for evidence, the WV-S1572L captures high quality 4K images even in very challenging, dynamic and exposed environments that require reliable hardware.

To adjust key camera settings automatically in real time, improved intelligent auto (iA) monitors scene dynamics and motion, and captures clear images while reducing distortion such as motion blur on moving objects.

In order to save bandwidth at 50%* lower than existing cameras and maintain image quality, the improved Smart Coding technology optimizes video compression through captured scene. *Compared to Smart Coding OFF with H.265

Extreme image quality allows evidence to be captured even under challenging conditions

- True 4K lens and large image sensor realize wide area surveillance with improved high-quality images
- Auto shutter speed control for moving objects
- Outstanding low-light performance in true color with low noise for nighttime applications
- Built-in IR LED to produce a clear monochrome image in 0 lux conditions with 40 m (131 feet) irradiation distance
- Environmental durability: IP66, IK10

Extreme bandwidth compression with evolved Smart Coding

- Longer recording and less storage requirements compared to traditional H.265 compression techniques
- Improved video compression technology detects objects such as faces, humans, vehicles and motorcycles / bicycles within the image and compresses the areas without objects in order to reduce transmitted data while maintaining image quality

Easy installation

- Allows you to connect the network cable to the camera body simply by opening a part of the package, which saves you time and workspace, especially when handling multiple cameras

Key Features

- 4K (3,840 x 2,160) up to 30fps
- Intelligent Auto
- Color night vision (0.006 to 0.09 lx)
- H.265 Smart Coding
- FIPS140-2 CAVP compliant
- i-VMD License Bundled
- ONVIF® Profile G / S / T

*Using encryption module standardized by FIPS publication 140-2

*ONVIF is a trademark of ONVIF, Inc.

Industry examples

- Public safety (City / Highway toll / Parking gate)
- Transportation (Airport / Train / Subway)
- Retail / Bank / Logistics / Education / Hospital / Building



Specifications

Camera	Image Sensor	1/1.8 type CMOS image sensor
	Minimum Illumination	Color : 0.09 lx, BW : 0.05 lx (F1.5, Maximum shutter : Off (1/30s), AGC : 11) BW : 0 lx (F1.5, Maximum shutter : Off (1/30 s), AGC : 11, when the IR LED is lit) Color : 0.006 lx, BW : 0.003 lx (F1.5, Maximum shutter : max. 16/30s, AGC : 11) *1
	White Balance	ATW1/ATW2/AWC
	Shutter Speed	[30fps mode] 1/30 Fix to 1/10000 Fix [25fps mode] 1/25 Fix to 1/10000 Fix
	Intelligent Auto	On / Off
	Super Dynamic	On / Off, The level can be set in the range of 0 to 31.
	Dynamic Range	Max.132 dB (Super Dynamic : On, Level : 31)
	Adaptive Black Stretch	The level can be set in the range of 0 to 255.
	Back light compensation / High light compensation	BLC (Back light compensation) / HLC (High light compensation) / Off The level can be set in the range of 0 to 31. (only when Super dynamic / Intelligent Auto : Off)
	Fog compensation	On / Off, The level can be set in the range of 0 to 8 (only when Intelligent auto / auto contrast adjust : Off)
	Maximum gain	The level can be set in the range of 0 to 11.
	Color/BW (ICR)	Off / On (IR Light Off) / On (IR Light On) / Auto1(IR Light Off) / Auto2 (IR Light On) / Auto3 (SCC)
	IR LED Light	High / Middle / Low / Off, Maximum irradiation distance : 40 m (Approx. 131 ft)
	Digital Noise Reduction	The level can be set in the range of 0 to 255.
	Video Motion Detection (VMD)	On / Off, 4 areas available
	Scene Change Detection (SCD)	On / Off, 1 area available
	Intelligent VMD (i-VMD)	Type 7 *Bundled License
	Privacy Zone	On / Off, Up to 8 zones available
	Image rotation ^{2,3}	0 ° (Off) / 90 ° / 180 ° (Upside-down) / 270 °
	Camera Title (OSD)	On / Off, Up to 20 characters (alphanumeric characters, marks)
Lens	Optical zoom	2.0x (Motorized zoom / Motorized focus)
	Extra optical zoom	6.0x (when resolution is 1280x720)
	Digital (electronic) zoom	Choose from 3 levels of x1, x2, x4
	Focal length	4.3 mm – 8.6 mm (5/32 inches – 11/32 inches)
	Maximum Aperture Ratio	1 : 1.5 (WIDE) – 1 : 2.4 (TELE)
	Focus range	1 m (39-3/8 inches) – ∞
	Angular Field of View	[16 : 9 mode] *1[4:3 mode] is not supported. Horizontal : 53° (TELE) – 104° (WIDE), Vertical : 30° (TELE) – 56° (WIDE)
	DORI *4	Detect (25ppm / 8ft)
Observe (62.5ppm / 19ft)		Wide: 24.00 m / 78.74 ft, Tele: 61.61 m / 202.15 ft
Recognize (125ppm / 38ft)		Wide: 12.00 m / 39.37 ft, Tele: 30.81 m / 101.07 ft
Identify (250ppm / 76ft)		Wide: 6.00 m / 19.69 ft, Tele: 15.40 m / 50.54 ft
Adjusting Angle	Ceiling mounting	Horizontal : ±180 ° (Adjust by horizontal (PAN) angle) Vertical : 0 ° to 100 ° (Adjust by vertical (TILT) angle) Yaw : -190 ° to +100 ° (Adjust by azimuth (YAW) angle)
	Wall mounting	Horizontal : ±100 ° (Adjust by vertical (TILT) angle)* Vertical : ±100 ° (Adjust by vertical (TILT) angle)* Yaw : -190 ° to +100 ° (Adjust by azimuth (YAW) angle) *You can change between horizontal and vertical angles by adjusting the horizontal (PAN) angle.
Browser GUI	Camera Control	Brightness, AUX On / Off
	Audio	Mic (Line) Input : On / Off Volume adjustment : Low / Middle / High Audio Output : On / Off Volume adjustment : Low / Middle / High
	GUI / Setup Menu Language	English, Italian, French, German, Spanish, Portuguese, Russian, Chinese, Japanese
Network	Network IF	10Base-T / 100Base-TX, RJ45 connector
	Resolution ⁵	[16 : 9 mode] *1[4:3 mode] is not supported. 3840×2160, 2560×1440, 1920×1080, 1280×720, 640×360, 320×180
	H.265 / Transmission Mode	Constant bit rate / VBR / Frame rate / Best effort
	H.264 ⁶ / Transmission Type	Unicast port (AUTO)/ Unicast port (MANUAL)/ Multicast
JPEG	Image Quality	10 steps

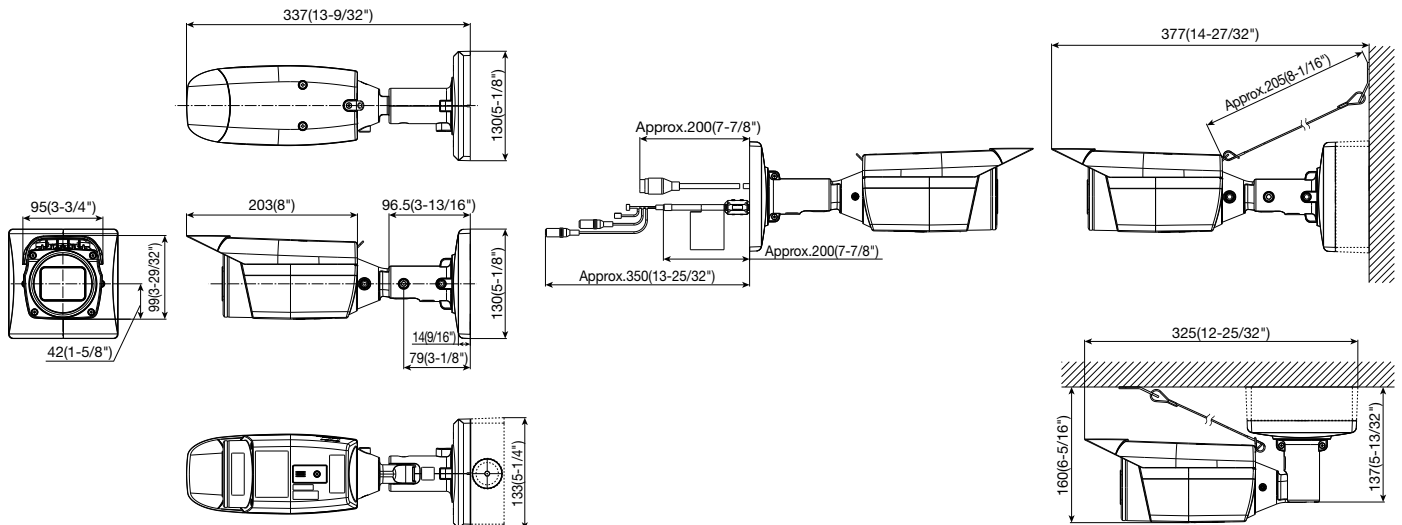
*1 Converted value
 *2 90° and 270° are invalid only in the 320×180 resolution.
 *3 Following the setting angle of the rotated image, the analog output of the MONITOR OUT terminal rotates.
 *4 Maximum distance at which a camera's tele and wide lens can meet DORI specifications. This value does not indicate the performance of the camera. Calculations made with the camera installed horizontally at resolution of 3840×2160.
 *5 H.265/H.264 can be selected for each stream.
 *6 Transmission for 4 streams can be individually set.

Network	Smart Coding	GOP (Group of pictures) control : On (Frame rate control) / On (Advanced) / On (Mid) / On (Low) / Off *On (Frame rate control) and On (Advanced) are only available with H.265. Auto VQS : On / Off	
	Audio Compression	G.726 (ADPCM) : 16 kbps / 32 kbps , G.711 : 64 kbps AAC-LC ⁷ : 64 kbps / 96 kbps / 128 kbps	
	Audio transmission mode	Off / Mic (Line) input / Audio output / Interactive (Half duplex) / Interactive (Full duplex)	
	Supported Protocol	IPv6 : TCP/IP, UDP/IP, HTTP, HTTPS, SMTP, DNS, NTP, SNMP, DHCPv6, RTP, MLD, ICMP, ARP, IEEE 802.1X, DiffServ, SSL/TLS ⁸ , SRTP ⁹ , SFTP ⁹ , MQTT ⁹ , LLDP ⁹ IPv4 : TCP/IP, UDP/IP, HTTP, HTTPS, RTSP, RTP, RTSP/RTCP, SMTP, DHCP, DNS, DDNS, NTP, SNMP, UPnP, IGMP, ICMP, ARP, IEEE 802.1X, DiffServ, SSL/TLS ⁸ , SRTP ⁹ , SFTP ⁹ , MQTT ⁹ , LLDP ⁹	
	No. of Simultaneous Users	Up to 14 users (Depends on network conditions)	
	SDXC/SDHC/SD Memory Card	H.265 / H.264 recording : Manual REC / Alarm REC (Pre/Post) / Schedule REC / Backup upon network failure JPEG recording : Manual REC / Alarm REC (Pre/Post) Compatible SDXC/SDHC/SD Memory Card : Panasonic 2 GB, 4 GB*, 8 GB*, 16 GB*, 32 GB*, 64 GB**, 128 GB**, 256 GB** model *SDHC card, ** SDXC card (except miniSD card and microSD card)	
	Mobile Terminal Compatibility	iPad, iPhone, Android™ terminals	
	ONVIF [®] Profile	G / S / T	
	Alarm	Alarm Source	3 terminals input, VMD alarm, SCD alarm, Command alarm
		Alarm Actions	SDXC/SDHC/SD memory recording, E-mail notification, HTTP alarm notification, Indication on browser, TCP alarm notification output
Input/ Output	Monitor Output (for adjustment)	VBS : 1.0 V [p-p] / 75 Ω, composite, Pin jack An NTSC or PAL signal can be outputted from camera	
	Audio input	ø3.5 mm stereo mini jack For microphone input : Recommended applicable microphone : Plug-in power type (Sensitivity of microphone : -48 dB±3 dB (0 dB=1 V/Pa, 1 kHz)) Input impedance : Approx. 2 kΩ (unbalanced) Supply voltage : 2.5 V ±0.5 V For line input : Input level : Approx. -10 dBV	
	Audio Output ⁹	ø3.5 mm stereo mini jack (Audio output is monaural.) Output impedance : Approx. 600 Ω (unbalanced) Output level : -20 dBV	
	External I/O Terminals	ALARM IN 1 (Alarm input 1/ Black & white input/ Auto time adjustment input) (x1), ALARM IN 2 (Alarm input 2/ ALARM OUT) (x1), ALARM IN 3 (Alarm input 3/ AUX OUT) (x1)	
General	Safety	UL (UL60950-1), c-UL (CSA C22.2 No.60950-1), CE, IEC60950-1	
	EMC	FCC (Part15 ClassA), ICES003 ClassA, EN55032 ClassB, EN55024	
	Power Source and Power Consumption	DC power supply : DC 12 V 930 mA/Approx. 11.2 W PoE (IEEE802.3af compliant) Device : DC48 V 240 mA/Approx. 11.5 W (Class 0 device)	
	Ambient Operating Temperature	-40 °C to +60 °C (-40 °F to +140 °F) ¹⁰ (Power On range : -30 °C to +60 °C (-22 °F to +140 °F))	
	Ambient Operating Humidity	10 to 100 % (no condensation)	
	Dehumidification Device	Temish element+Fan/Heater	
	Water and Dust Resistance	IP66 (IEC60529), Type 4X (UL50E), NEMA 4X compliant	
	Shock Resistance	IK10 (IEC 62262)	
	Wind Resistance	Up to 40 m/s (approx. 89 mph)	
	Dimensions	With adapter box : 133 mm (W) x 133 mm (H) x 377 mm (L) {5-1/4 inches(W) x 5-1/4 inches(H) x 14-27/32 inches(L)} Without adapter box : 130 mm (W) x 130 mm (H) x 337 mm (L) {5-1/8 inches(W) x 5-1/8 inches(H) x 13-9/32 inches(L)}	
Mass	With adapter box : 2.2 kg (4.85 lbs) Without adapter box : 1.7 kg (3.75 lbs)		
Finish	Main body : Aluminum die cast and resin, i-PRO white Outer fixing screws : Stainless steel (Corrosion-resistant treatment) Front panel : Polycarbonate resin, Clear		

*7 When recording audio on an SD memory card, only use AAC-LC (Advanced Audio Coding - Low Complexity).
 *8 It may be necessary to upgrade the firmware to use these protocols
 *9 This camera is not equipped with the function to change the audio output to the monitor output.
 *10 When using with the IR LED light constantly lit, the upper limit of the operating temperature range is +50 °C (+122 °F).

Appearance

Unit : mm (inches)



Bundled License

Plug-in Software for i-VMD





i-VMD is possible to detect objects in the specified area by advanced video analysis technology.
 i-VMD : Intruder Detection, Loitering Detection, Direction Detection, Object Detection, Cross Line Detection



Notification sent to the monitoring screen

Optional Accessories

Mount Bracket

<p>Ceiling Mount Bracket WV-QCL101-W (i-PRO white)</p>  <p>*For indoor installation only</p>	<p>Pole Mount Bracket WV-QPL500-W (i-PRO white)</p> 	<p>Corner Mount Bracket WV-QCN500-W (i-PRO white)</p> 	<p>Front Panel WV-CW8CN (Clear) (ClearSight coating)</p> 
--	--	--	--

• Brackets are available in four colors, Fine silver, Light gray, Gray and i-PRO white. It is possible to use them in different color combinations.

Trademarks and registered trademarks

- iPad and iPhone are trademarks of Apple Inc., registered in the U.S. and other countries.
- Android is a trademark of Google LLC.
- ONVIF is a trademark of ONVIF, Inc.
- All other trademarks identified herein are the property of their respective owners.

Important

- Safety Precautions : Carefully read the Basic Information, Installation Guide and Operating Instructions before using this product.
- i-PRO Co., Ltd. cannot be held responsible for the performance of the network and/or other manufacturers' products used on the network.

• Masses and dimensions are approximate. • Specifications are subject to change without notice.



i-PRO Co., Ltd.

<https://i-pro.com/>

(2A-256CL)