

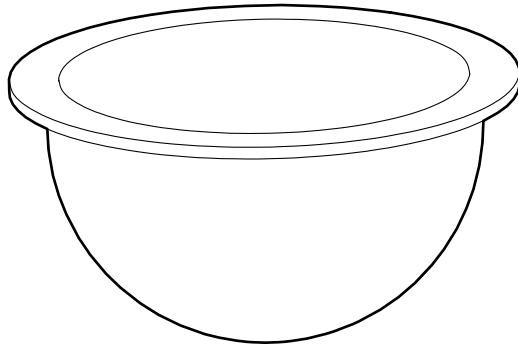


# Operating Instructions

Included Installation Instructions

## Dome Cover

Model No. **WV-QDC500S**



- Before attempting to connect or install this product, please read these instructions carefully and save this manual for future use.
- The external appearance and other parts shown in this manual may differ from the actual product within the scope that will not interfere with normal use due to improvement of the product.

**For U.S. and Canada:**

i-PRO Americas Inc.

**For Europe and other countries:**

i-PRO EMEA B.V.

<https://www.i-pro.com/>



## Preface

This smoke type dome cover (approx. 45 % of transmittance) is used to install the indoor/outdoor use dome-type monitoring camera.

For the latest information about the supported cameras, refer to our support website ([https://i-pro.com/global/en/surveillance/training\\_support/support/technical\\_information](https://i-pro.com/global/en/surveillance/training_support/support/technical_information) <Control No.: C0501>).

## Specifications

Ambient operating temperature:	-30 °C to +50 °C {-22 °F to +122 °F}
Mass:	Approx. 20 g {0.04 lbs}
Dimensions:	Diameter: 71.0 mm {2-25/32 inches}
	Height: 37.5 mm {1-15/32 inches}
	Diameter of the dome: 30.5 mm {1-3/16 inches}

## Precautions

### ■ Refer installation work to the dealer.

Installation work requires technique and experience. Failure to observe this may cause fire, electric shock, injury, or damage to the product.

Be sure to consult the dealer.

## Standard accessories

Operating instructions (this document)..... 1 pc.

## Installation

Read the following descriptions together with the Installation Guide of the camera.

### Note:

- When a smoke type dome cover is used, the IR LED irradiation distance and the illuminance level are lower than for a standard clear type dome cover.  
Check the settings after attaching the enclosure.

### Step1

#### Loosen enclosure fixing screws (3 places), and remove the enclosure from the camera.

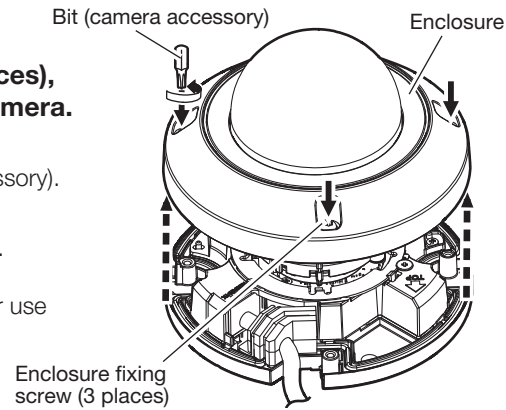
##### <Outdoor camera>

Loosen the screws using the bit (camera accessory).

##### <Indoor camera>

Loosen the screws using a Phillips screwdriver.

\* The right illustrations are examples of outdoor use camera.



### Step2

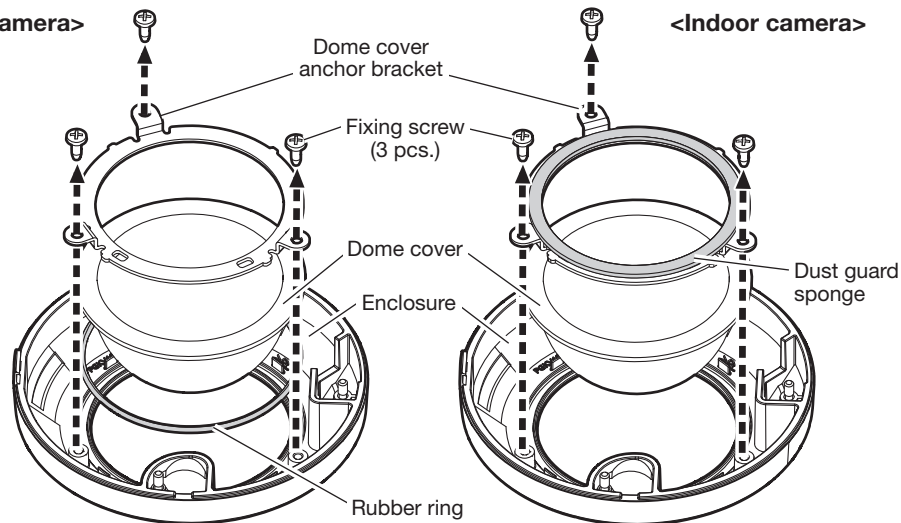
#### Remove the dome cover.

- ① Remove the fixing screws (3 pcs.) that secure the dome cover anchor bracket to the enclosure.
- ② Remove the dome cover anchor bracket, the dome cover and rubber ring (outdoor camera only).

### Note:

- These fixing screws (3 pcs.), the dome cover anchor bracket and rubber ring (outdoor camera only) will be used again in step3.

##### <Outdoor camera>

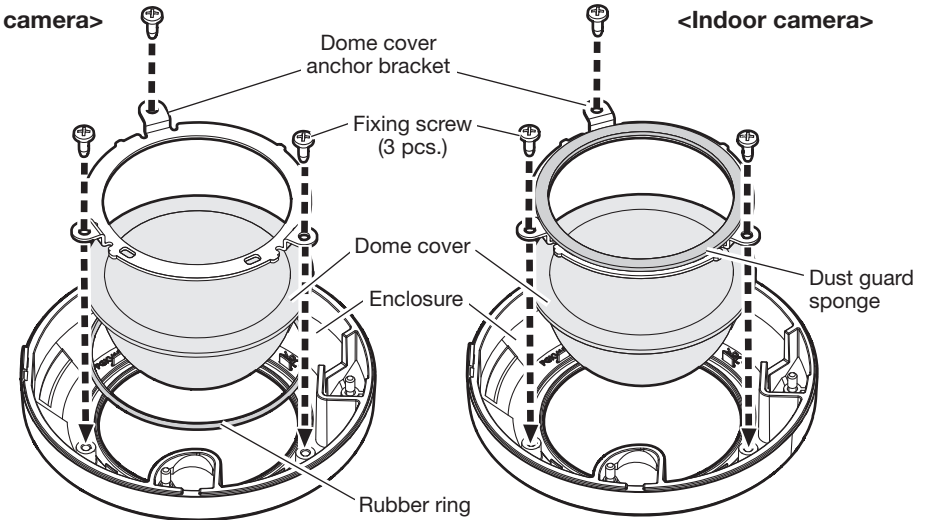


### Step3

#### Replace the dome cover.

- ① Remove the cover film from the outside of the dome cover (this product). Keep the removed cover film for following step. (Take care not to damage the outside or inside of this product.)
- ② Attach the rubber ring to the enclosure. (Outdoor camera only)
- ③ Attach this product to the enclosure.
- ④ Using the fixing screws (3 pcs.) that were removed in step2, secure the dome cover anchor bracket to the enclosure. (Recommended tightening torque: 0.40 N·m {0.30 lbf-ft})
- ⑤ Attach the cover film removed in ① to the outside surface of this product.

##### <Outdoor camera>



##### <Indoor camera>

### Note:

- When attaching, make sure that the rubber ring is properly set in the groove of the enclosure. (Outdoor camera only)
- Do not remove the dust guard sponge adhered to the dome cover anchor bracket. (Indoor camera only)

### Step4

#### Attach the enclosure to the camera.

Tighten the enclosure fixing screws (3 places) using the bit (camera accessory) or Phillips screwdriver.

Recommended tightening torque: 0.70 N·m {0.52 lbf-ft}

→ Refer to the Installation Guide of the camera for more information about installing the camera.