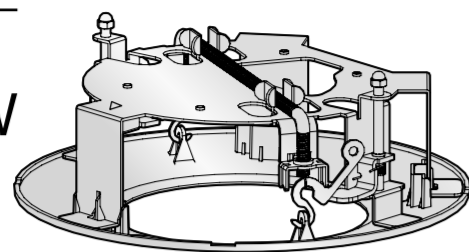


Operating Instructions

Included Installation Instructions

Ceiling Mount Bracket

Model No. WV-QEM100-W



- Before attempting to connect or install this product, please read these instructions carefully and save this manual for future use.
- The external appearance and other parts shown in this manual may differ from the actual product within the scope that will not interfere with normal use due to improvement of the product.

i-PRO Co., Ltd. assumes no responsibility for injuries or property damage resulting from failures arising out of improper installation or operation inconsistent with this documentation.

For U.S. and Canada:

i-PRO Americas Inc.

For Europe and other countries:

i-PRO EMEA B.V.

<https://www.i-pro.com/>

© i-PRO Co., Ltd. 2022



Cs0520-1042
Printed in China

Caution:

- Before attempting to connect or operate this product, please read these instructions carefully.

Notice:

- This product is not suitable for use in locations where children are likely to be present.
- Do not install this product in locations where ordinary persons can easily reach.
- For information about screws and brackets required for installation, refer to the corresponding section of this document.

Precautions

Do not use this bracket except with suitable cameras.

Failure to observe this may cause a drop resulting in injury or accidents.

Refer installation work to the dealer.

Installation work requires technique and experience. Failure to observe this may cause fire, electric shock, injury, or damage to the product. Be sure to consult the dealer.

Install the product securely on a ceiling in accordance with the installation instructions.

Failure to observe this may cause injury or accidents.

Do not rub the edges of metal parts with your hand.

Failure to observe this may cause injury.

When using this product, also read the "Precautions" described in the operating instructions for the camera to be attached.

Preface

This ceiling mount bracket is exclusively designed to mount the camera on a ceiling. This bracket can be used for an area with weak pull-out strength such as plasterboard in a double ceiling. For the latest information about the supported cameras, refer to our support website (https://i-pro.com/global/en/surveillance/training_support/support/technical_information<Control No.: C0501>).

Specifications

Ambient operating temperature: -50 °C to +60 °C (-58 °F to +140 °F)

Dimensions: ø186 mm × 76.2 mm (H)* (ø7-5/16 inches × 3 inches)
*Including decorative cover thickness: 15.7 mm (5/8 inches)

Mass: Approx. 350 g (0.77 lbs)

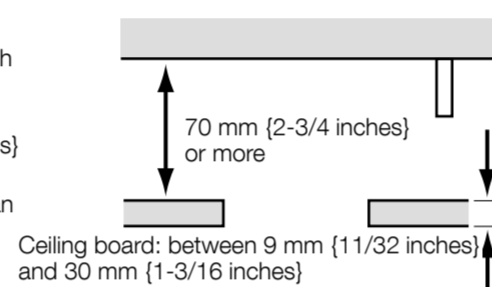
Finish: **Main body:** Surface treatment steel sheet
Decorative cover: ABS resin i-PRO white

Precautions for installation

In order to prevent injury, the product must be securely mounted to a ceiling according to the Installation Guide of this bracket.

Installation area for this product

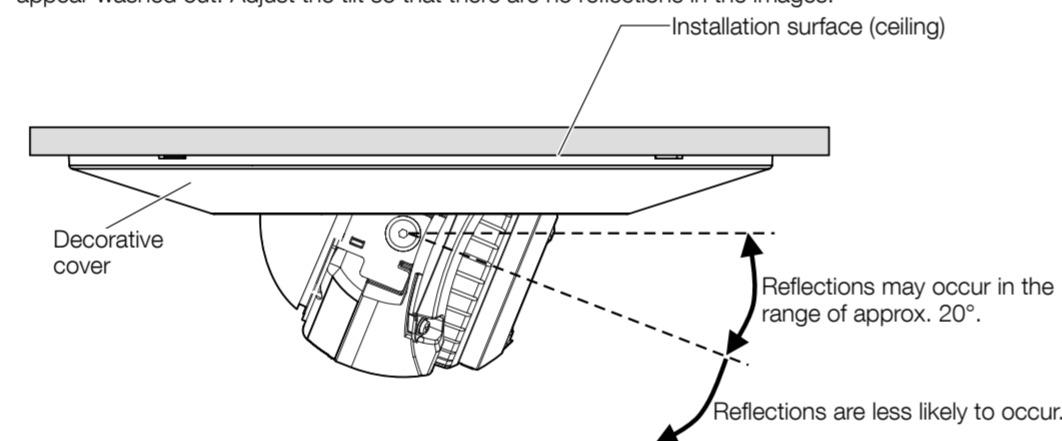
- Make sure that the installation area is strong enough to hold the total weight of the camera assembly before installation.
- The installation area shall have 70 mm {2-3/4 inches} or more space behind the ceiling board.
- The thickness of the ceiling board for installation can range between 9 mm {11/32 inches} and 30 mm {1-3/16 inches}.



Make sure to remove this product if it will no longer be used.

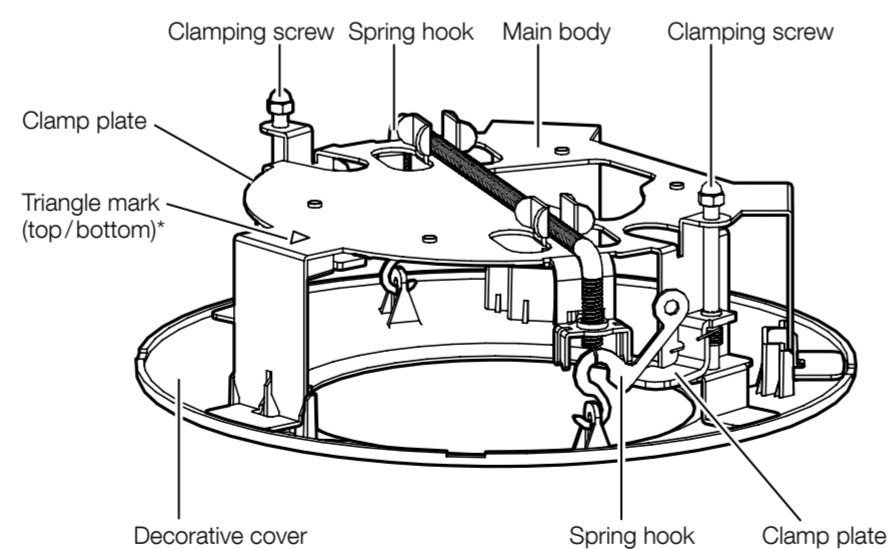
When using the IR LED built into the camera to view images in a dark area

If the direction is adjusted towards the surface where the camera is installed (a ceiling), reflections from the decorative cover or installation surface (ceiling) may cause all or a part of the image to appear washed out. Adjust the tilt so that there are no reflections in the images.



* The dome cover is omitted for ease of explanation.

Parts and functions



* Because the triangle mark is engraved on the bracket, it can be seen from both the top and bottom sides.

Standard accessories

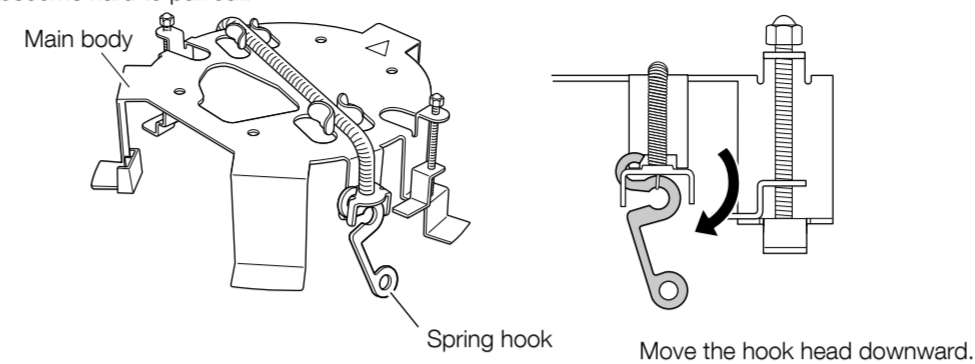
Operating Instructions (this document)..... 1 pc.

Template (for tracing the hole shape) 1 sheet
Decorative cover..... 1 pc.
Fixing screw (M4 x 8 mm) 5 pcs.
AF button push tool 1 pc.
(of them, 1 for spare)

Preparations

Position 2 of the spring hooks of the main body as shown in the illustration below.

When the ceiling mount bracket is installed after positioning them in the opposite side, they may become hard to pull out.



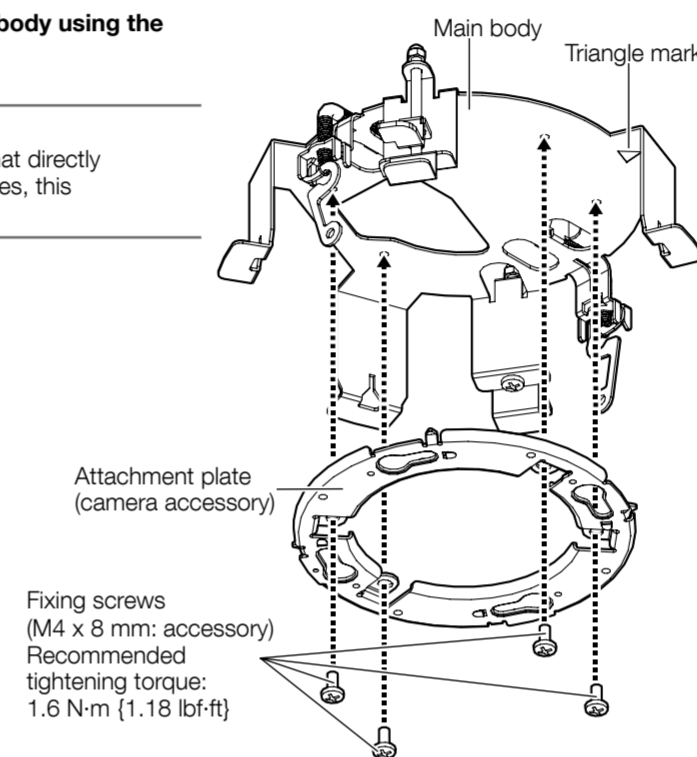
Fix the attachment plate (camera accessory) to the ceiling mount bracket.

Attach the attachment plate (camera accessory) to the ceiling mount bracket first if they are needed for the attachment of the camera body.

When securing the camera body using the attachment plate

Note:

- When using a camera type that directly attaches to installation surfaces, this preparation is not required.



Installations

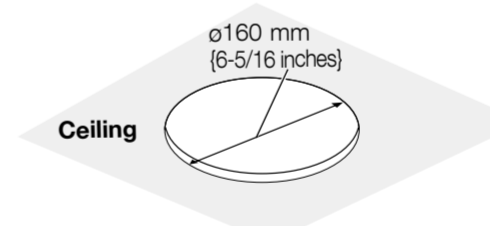
Be sure to read "Precautions" and "Precautions for installation" before installation. Refer to the operating instructions of the camera for details on the camera installation (including the camera mounting, cable connection and adjustment).

Step1 Make a hole of 160 mm {6-5/16 inches} diameter using a specialized tool, etc.

Make a mounting hole in the ceiling using the template (accessory).

IMPORTANT:

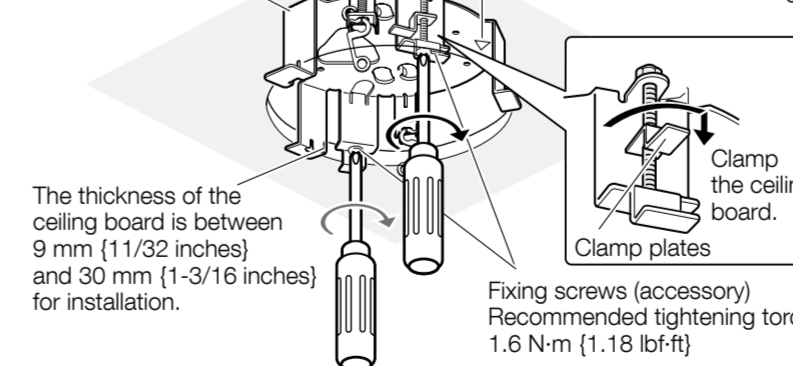
- Make a hole precisely. When the opened hole is bigger or deformed too much, the ceiling mount bracket cannot be stuck on the ceiling board securely.



Step2 Fix the ceiling mount bracket onto the ceiling board.

Loosen the fixing screws by rotating them counterclockwise until the length between the clamp plates becomes wider than the thickness of the ceiling board. Insert the ceiling mount bracket into the ceiling board, and clamp and secure the ceiling board by rotating the fixing screws clockwise.

* The "i-PRO" logo on the camera and the decorative cover should be located on the side of this triangle mark.



IMPORTANT:

- When the ceiling board is plasterboard, make sure that no crack was made on the ceiling board by clamping.

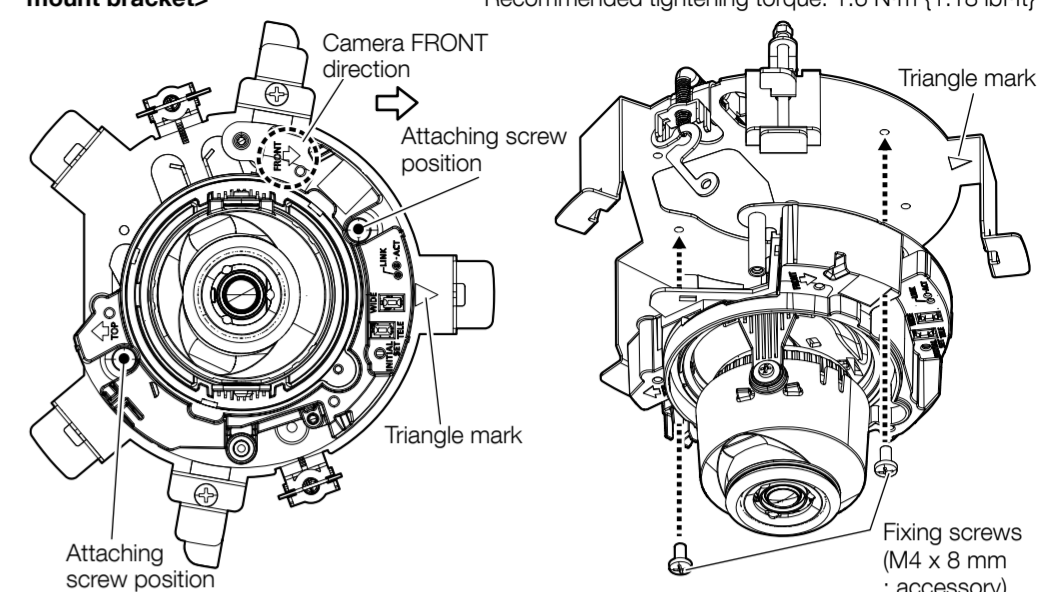
Step3 Connect the cables to the camera.

Remove the enclosure from the camera body and connect the cables from above the ceiling board first.

Step4 Fix the camera body to the ceiling mount bracket.

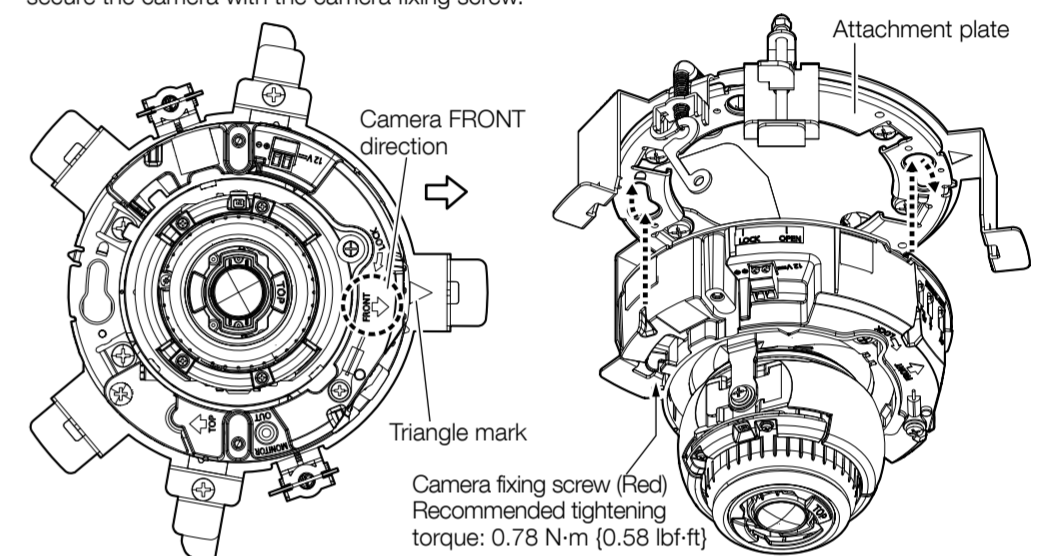
The triangle mark of the ceiling mount bracket and the direction marker (FRONT) of the camera body should be located on the same sides.

<When directly attaching to the ceiling mount bracket> Fixing screws (M4 x 8 mm: accessory)
Recommended tightening torque: 1.6 N-m {1.18 lbf-ft}



<When using the attachment plate>

Align the attachment fixing screws on the bottom side of the camera with the holes of the attachment plate, and temporarily attach the camera by rotating it about 15° clockwise. Next, secure the camera with the camera fixing screw.



From here on explanations use illustrations for <When using the attachment plate>.

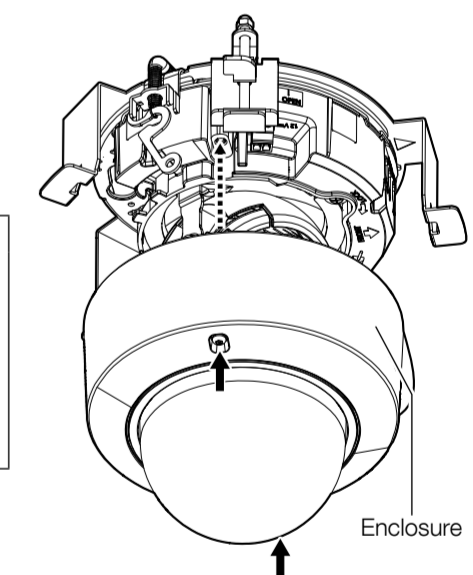
Step5 Adjust the angle of view of the camera and attach the enclosure.

Adjust the PAN, TILT, etc. of the camera, and then adjust the angle of view. When the adjustment is completed, attach the enclosure to the camera.

- If the AF (Auto Focus) button on the side of the camera body must be pressed after installing the camera, use the AF button push tool (accessory).

IMPORTANT:

- After complete installation, remove the protection film from the dome cover.
- Attaching the enclosure may cause slight defocusing. In this case, execute the auto focus function from the setup menu.
- If there are fingerprints or dirt on the dome cover, wipe the dome cover with a soft, dry cloth.



Step6 Attach the decorative cover.

Align the bracket with the 3 guides of the decorative cover, pull out both the spring hooks and attach the hooks to the decorative cover. Make sure that the cover is attached to the ceiling with no space between them.

* Match the "i-PRO" logos on the cover and on the camera.

