

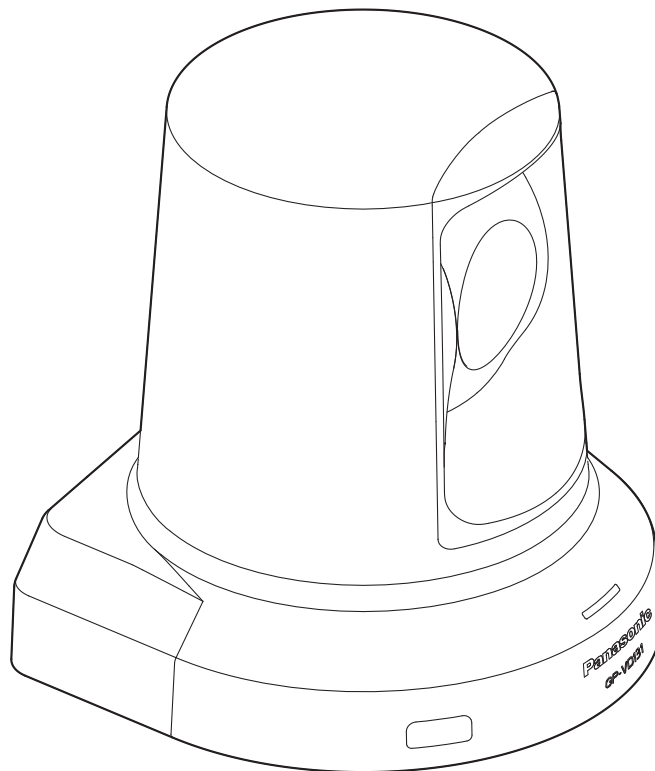
Panasonic®

Operating Instructions <Basics>

Installation Instructions provided

HD Communication Camera

Model No. **GP-VD131, GP-VD131A**





HDMI®
HIGH DEFINITION MULTIMEDIA INTERFACE

Before operating this product, please read the instructions carefully and save this manual for future use.

For instructions on how to operate this HD Communication Camera and how to establish its settings, refer to the operating instructions of the HD Visual Communication Unit to be connected.

Safety precautions

	CAUTION RISK OF ELECTRIC SHOCK DO NOT OPEN	
CAUTION: TO REDUCE THE RISK OF ELECTRIC SHOCK, DO NOT REMOVE COVER (OR BACK). NO USER SERVICEABLE PARTS INSIDE. REFER TO SERVICING TO QUALIFIED SERVICE PERSONNEL.		



The lightning flash with arrowhead symbol, within an equilateral triangle, is intended to alert the user to the presence of uninsulated "dangerous voltage" within the product's enclosure that may be of sufficient magnitude to constitute a risk of electric shock to persons.



The exclamation point within an equilateral triangle is intended to alert the user to the presence of important operating and maintenance (service) instructions in the literature accompanying the appliance.

For CANADA

CAN ICES-3(A)/NMB-3(A)

WARNING:

- To reduce the risk of fire or electric shock, do not expose this apparatus to rain or moisture.
- The apparatus shall not be exposed to dripping or splashing and that no objects filled with liquids, such as vases, shall be placed on the apparatus.
- The mains plug or an appliance coupler shall remain readily operable.

■ DO NOT REMOVE PANEL COVERS BY UNSCREWING.

To reduce the risk of electric shock, do not remove the covers. No user serviceable parts inside. Refer servicing to qualified service personnel.

This is a class A product. In a domestic environment this product may cause radio interference in which case the user may be required to take adequate measures.

For U.S.A.

FCC Note:

This equipment has been tested and found to comply with the limits for a class A digital device, pursuant to Part 15 of the FCC Rules. These limits are designed to provide reasonable protection against harmful interference when the equipment is operated in a commercial environment. This equipment generates, uses, and can radiate radio frequency energy, and if not installed and used in accordance with the instruction manual, may cause harmful interference to radio communications. Operation of this equipment in a residential area is likely to cause harmful interference in which case the user will be required to correct the interference at his own expense.

FCC Caution:

To assure continued compliance, (example -use only shielded interface cables when connecting to computer or peripheral devices). Any changes or modifications not expressly approved by the party responsible for compliance could void the user's authority to operate this equipment.

CAUTION:

Before attempting to connect or operate this product, please read the label on the bottom.

For U.S.A.

The model number and serial number of this product may be found on the surface of the unit. You should note the model number and serial number of this unit in the space provided and retain this book as a permanent record of your purchase to aid identification in the event of theft.

Model No. _____

Serial No. _____

CAUTION:

In order to maintain adequate ventilation, do not install or place this unit in a bookcase, built-in cabinet or any other confined space. To prevent risk of electric shock or fire hazard due to overheating, ensure that curtains and any other materials do not obstruct the ventilation.

GP-VD131:

For use only with power supply Panasonic, PNLV6506.

GP-VD131A:

For use only with power supply Panasonic, PNLV6507.

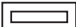
 indicates safety information.

Safety precautions

IMPORTANT SAFETY INSTRUCTIONS

Read these operating instructions carefully before using the unit. Follow the safety instructions on the unit and the applicable safety instructions listed below. Keep these operating instructions handy for future reference.

- 1) Read these instructions.
- 2) Keep these instructions.
- 3) Heed all warnings.
- 4) Follow all instructions.
- 5) Do not use this apparatus near water.
- 6) Clean only with dry cloth.
- 7) Do not install near any heat sources such as radiators, heat registers, stoves, or other apparatus (including amplifiers) that produce heat.
- 8) Protect the power cord from being walked on or pinched particularly at plugs, convenience receptacles, and the point where they exit from the apparatus.
- 9) Only use attachments/accessories specified by the manufacturer.
- 10) Use only with the tripod or table specified by the manufacturer.
- 11) Unplug this apparatus during lightning storms or when unused for long periods of time.
- 12) Refer all servicing to qualified service personnel. Servicing is required when the apparatus has been damaged in any way, such as power-supply cord or plug is damaged, liquid has been spilled or objects have fallen into the apparatus, the apparatus has been exposed to rain or moisture, does not operate normally, or has been dropped.

 indicates safety information.

Declaration of Conformity
with the requirements of Technical Regulation on the Restriction Of the use of certain Hazardous Substances
in Electrical and Electronic Equipment
(adopted by Order №1057 of Cabinet of Ministers of Ukraine)

The Product is in conformity with the requirements of Technical Regulation on the Restriction Of the use of certain Hazardous Substances in electrical and electronic equipment (TR on RoHS).

The content of hazardous substance with the exemption of the applications listed in the Annex №2 of TR on RoHS:

1. Lead (Pb) – not over 0,1wt % or 1000wt ppm;
2. Cadmium (Cd) – not over 0,01wt % or 100wt ppm;
3. Mercury (Hg) – not over 0,1wt % or 1000wt ppm;
4. Hexavalent chromium (Cr⁶⁺) – not over 0,1wt % or 1000wt ppm;
5. Polybrominated biphenyls (PBBs) – not over 0,1wt % or 1000wt ppm;
6. Polybrominated diphenyl ethers (PBDEs) – not over 0,1wt % or 1000wt ppm.

Safety precautions

Disposal of Old Equipment

Only for European Union and countries with recycling systems



This symbol on the products, packaging, and/or accompanying documents means that used electrical and electronic products must not be mixed with general household waste.

For proper treatment, recovery and recycling of old products, please take them to applicable collection points in accordance with your national legislation.

By disposing of them correctly, you will help to save valuable resources and prevent any potential negative effects on human health and the environment.

For more information about collection and recycling, please contact your local municipality.

Penalties may be applicable for incorrect disposal of this waste, in accordance with national legislation.

For users in the United Kingdom

FOR YOUR SAFETY, PLEASE READ THE FOLLOWING TEXT CAREFULLY.

This appliance is supplied with a moulded three-pin mains plug for your safety and convenience. Should the fuse need to be replaced, please ensure that the replacement fuse is of the same rating and that it is approved by ASTA or BSI to BS1362.

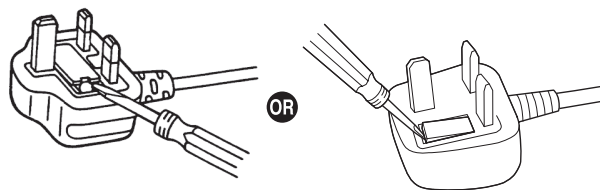
Check for the ASTA mark  or the BSI mark  on the body of the fuse.

If the plug contains a removable fuse cover, you must ensure that it is refitted when the fuse is replaced. If you lose the fuse cover, the plug must not be used until a replacement cover is obtained. A replacement fuse cover can be purchased from your local Panasonic dealer.

IF THE FITTED MOULDED PLUG IS UNSUITABLE FOR THE AC OUTLET IN YOUR PREMISES, THEN THE FUSE SHOULD BE REMOVED AND THE PLUG CUT OFF AND DISPOSED OF SAFELY. THERE IS A DANGER OF SEVERE ELECTRICAL SHOCK IF THE CUT-OFF PLUG IS INSERTED INTO ANY 13 AMP SOCKET.

How to replace the fuse:

Open the fuse compartment with a screwdriver and replace the fuse and fuse cover.



 indicates safety information.

Safety precautions

We declare under our sole responsibility that the product to which this declaration relates is in conformity with the standards or other normative documents following the provisions of Directives 2006/95/EC and 2004/108/EC.

Wir erklären in alleiniger Verantwortung, daß das Produkt, auf das sich diese Erklärung bezieht, mit den folgenden Normen oder normativen Dokumenten übereinstimmt. Gemäß den Bestimmungen der Richtlinie 2006/95/EC und 2004/108/EC.

Noi dichiariamo sotto nostra esclusiva responsabilità che il prodotto a cui si riferisce la presente dichiarazione risulta conforme ai seguenti standard o altri documenti normativi conformi alle disposizioni delle direttive 2006/95/CE e 2004/108/CE.

Wij verklaren als enige aansprakelijke, dat het product waarop deze verklaring betrekking heeft, voldoet aan de volgende normen of andere normatieve documenten, overeenkomstig de bepalingen van Richtlijnen 2006/95/EC en 2004/108/EC.

Vi erklærer os eneansvarlige for, at dette produkt, som denne deklaration omhandler, er i overensstemmelse med standarder eller andre normative dokumenter i følge bestemmelserne i direktivene 2006/95/EC og 2004/108/EC.

Vi deklarerar härmed vårt fulla ansvar för att den produkt till vilken denna deklaration hänvisar är i överensstämmelse med de standarder eller andra normativa dokument som framställs i direktiv nr 2006/95/EC och 2004/108/EC.

Ilmoitamme yksinomaisella vastuullamme, että tuote, jota tämä ilmoitus koskee, noudattaa seuraavia standardeja tai muita ohjeellisia asiakirjoja, jotka noudattavat direktiivien 2006/95/EC ja 2004/108/EC säädöksiä.

Vi erklærer oss alene ansvarlige for at produktet som denne erklæringen gjelder for, er i overensstemmelse med følgende normer eller andre normgivende dokumenter som følger bestemmelsene i direktivene 2006/95/EC og 2004/108/EC.

Contents

Safety precautions	2	Connections	17
Before use	7	Connections to the HD Visual Communication Unit and AC adapter	17
Overview	7	Connecting the IR system cable (sold separately)	17
Concerning HD Visual Communications System	7	Installation precautions for the IR system cable	18
Trademarks and registered trademarks	7	Checking the operations performed when the IR system cable is installed	18
About copyright and licence	7	How to turn the power on and off	19
Disclaimer of warranty	7	Turning the power on	19
Characteristics	8	Turning the power off	19
Accessories	8	Concerning the mode transitions	19
Installation precautions	9	Factory setting	20
Operating precautions	11	Factory settings for the setting items	20
The remote control through function and IR repeater function	13	Troubleshooting	21
Parts and their functions	15	Appearance	24
Installation	16	Specifications	25
When installing the unit on a desk	16		
When mounting the unit on a tripod	16		

How the model's Operating Instructions manuals are configured

- Before installing the unit, be sure to read this document to ensure that the unit is installed correctly.
- This manual explains how to install the unit.
For details on how to operate the unit and select its settings, refer to the operating instructions of the HD Visual Communication Unit to be connected.
To read PDF files, you will need Adobe® Reader® which is available from Adobe Systems.

Before use

■ Overview

- This unit is a full HD camera integrated with a pan-tilt head and featuring a 1/2.8-type full HD CMOS sensor and digital signal processor (DSP).
- This unit is designed to be used exclusively with Panasonic HD Visual Communication Units.
Compatible HD Visual Communication Units:
KX-VC1300, KX-VC1600, KX-VC1300A,
KX-VC1600A, KX-VC1300SX, KX-VC1600SX,
KX-VC300NA, KX-VC300BX, KX-VC600NA,
KX-VC600BX, KX-VC300CX, KX-VC300EX,
KX-VC600CX, KX-VC600EX

■ Concerning HD Visual Communications System

- The unit's operations are performed and its settings are selected using the remote controller of the HD Visual Communication Unit connected. This means that the unit can be operated only when it is connected to the HD Visual Communication Unit and it is operating normally. For more details, refer to the operating instructions which came with the HD Visual Communication Unit concerned.

■ Trademarks and registered trademarks

- HDMI, the HDMI Logo and High-Definition Multimedia Interface are trademarks or registered trademarks of HDMI Licensing LLC in the United States and other countries.
- Adobe, Acrobat Reader, and Reader are either registered trademarks or trademarks of Adobe Systems Incorporated in the United States and/or other countries.

■ About copyright and licence

Distributing, copying, disassembling, reverse compiling, reverse engineering, and also exporting in violation of export laws of the software provided with this unit are expressly prohibited.

■ Disclaimer of warranty

IN NO EVENT SHALL Panasonic Corporation BE LIABLE TO ANY PARTY OR ANY PERSON, EXCEPT FOR REPLACEMENT OR REASONABLE MAINTENANCE OF THE PRODUCT, FOR THE CASES, INCLUDING BUT NOT LIMITED TO BELOW:

- ① ANY DAMAGE AND LOSS, INCLUDING WITHOUT LIMITATION, DIRECT OR INDIRECT, SPECIAL, CONSEQUENTIAL OR EXEMPLARY, ARISING OUT OF OR RELATING TO THE PRODUCT;
- ② PERSONAL INJURY OR ANY DAMAGE CAUSED BY INAPPROPRIATE USE OR NEGLIGENT OPERATION OF THE USER;
- ③ UNAUTHORIZED DISASSEMBLE, REPAIR OR MODIFICATION OF THE PRODUCT BY THE USER;
- ④ INCONVENIENCE OR ANY LOSS ARISING WHEN IMAGES ARE NOT DISPLAYED, DUE TO ANY REASON OR CAUSE INCLUDING ANY FAILURE OR PROBLEM OF THE PRODUCT;
- ⑤ ANY PROBLEM, CONSEQUENTIAL INCONVENIENCE, OR LOSS OR DAMAGE, ARISING OUT OF THE SYSTEM COMBINED BY THE DEVICES OF THIRD PARTY;
- ⑥ LOSS OF REGISTERED DATA CAUSED BY ANY FAILURE.

Characteristics

1/2.8-type CMOS sensor and high-performance 3× zoom lens featured

- A 1/2.8-type full HD CMOS sensor and DSP (digital signal processor) are incorporated. High-quality pictures are obtained by video processing in many different kinds of ways.
- In addition to its optical 3× zoom lens, the unit comes with a 4× digital zoom to achieve high-quality images that overflow with ambiance.

All operations can be performed by the remote controller of the HD Visual Communication Unit

- The functions and settings can also be switched easily while viewing the menu screens. (These switching operations can be performed only while the HD Visual Communication Unit is operating.)

The remote control through function and IR repeater function allow more installation flexibility.

- Since these functions enable this unit to operate the HD Visual Communication Unit using this unit's remote controller signal receiver to receive signals from the HD Visual Communication Unit's remote controller, you have more flexibility in where you install this unit.

Easy operation of unit enabled by its integration with a high-performance pan-tilt head unit

- Operations at the high speed of 90°/s or more
- Wide rotational angles with a panning range of ±100° and a tilting range of ±20°
- Quiet operation with noise levels of NC35 (normal speed) and NC40 (when preset)

Energy-savings achieved by the compact main unit design

- Low power consumption realized by the unit's compact size and light weight

Accessories

Check that the following accessories are present and accounted for.

Getting Started	1	Power cable* (1.8 m {5.91 feet}) (GP-VD131)	4
AC adapter	1	Power cable* (1.8 m {5.91 feet}) (GP-VD131A)	1

* Use the power cable that is suited to your locality.

Installation precautions

In addition to heeding the points presented in the “Safety precautions”, observe the following precautions as well.

Ensure that the installation work complies with the technical standards governing electrical equipment.

This unit is for indoor use only.

It cannot be used outdoors.

Avoid installation in a location where the unit will be exposed to direct sunlight for extended periods or near a cooling or heating appliance.

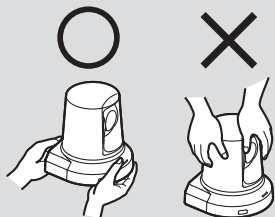
Otherwise, deformation, discoloration, malfunctioning and/or problems in operation may result. Operate the unit where it will not be splashed or sprayed by water.

Use this unit on a flat and level surface.

Do not install the unit on the surface of a wall, on a ceiling or in a location where the unit will end up being inclined at an angle.

Note

- Do not hold the camera head while undertaking the installation work. Doing so may cause malfunctioning.



Concerning the installation location

Install the unit in a stable location which will not be susceptible to shaking. If the unit is installed in a location which is susceptible to shaking, this will cause the unit's images to shake in turn.

Install the unit after conferring in detail with your dealer.

Do not install or use the unit in the following kinds of locations.

- On the surface of a wall (where the unit will be installed sideways and/or where the unit will be secured to the wall using a mounting bracket)
- On a ceiling (where the unit would be installed so that it is pointing downward)
- In locations (including places such as under the eaves of a building) where the unit would be directly exposed to rain or water
- In locations such as kitchens where there are high concentrations of steam and grease
- In outdoor locations or hot places where the temperature will exceed 40 °C {104 °F}
- In cold locations where the temperature will drop below 0 °C {32 °F}
- In locations where the humidity will exceed 85 %
- In locations where chemicals are used such as near swimming pools
- At sea, in coastal areas or in locations where corrosive gases are emitted
- In locations where radiation, X-rays, or strong radio waves or magnetic fields are generated
- In locations where the unit would be subject to a great deal of vibration such as on board a vehicle or ship (this unit is not designed to be used in vehicles)
- In locations where the temperature is subject to sudden changes such as near the air outlet of an air conditioner or near a door which allows the outside air to come in

What to avoid to ensure that the unit will perform stably over a prolonged period

- Using the unit for a prolonged period in a location with high temperature and humidity levels will cause its parts to deteriorate and shorten its service life.
- Ensure that a cooling unit or heating unit will not blow any air directly toward the installation location.

When the unit is no longer going to be used, do not leave it lying around, but be absolutely sure to dispose of it properly.

When installing, transferring or disposing of the unit, be absolutely sure to hold it by its pedestal area.

Problems may result if the camera head is held or rotated.

Do not attach a filter, hood, extender or other parts to the unit.

Installation precautions

Use the dedicated AC adapter and power cable provided with the unit.

Connect the AC adapter and power cable to the power inlet securely.

The power cable supplied with this unit must always be used with this unit. The unit cannot be used with a power cable which is not supplied with the unit. Neither can the power cable supplied with the unit be used with any other device.

Installing the AC adapter

- Do not place the AC adapter in direct contact with a floor or any other such surface. An extreme danger is posed by water pooling on the surface as a result of leaking rainwater or some other reason.
Anchor the AC adapter securely to a surface on which no water, dust, etc. will collect.
- Secure the adapter firmly so that there will be no chance that it will fall off or fall down.
Secure it using a strength which can withstand the mass of the AC adapter.

Install the accessory AC adapter near the main power outlet, and position it in such a way that its power plug can be plugged into and unplugged from the outlet easily.

If the AC adapter is to be connected where dust collects, remove the dust and dirt from the power plug at regular intervals as a measure to prevent tracking.

Power switch

This unit does not have a power switch. The power turns on when its power plug is connected to a power outlet. When the power is turned on, the pan, tilt, zoom and focusing operations are performed. Before proceeding with maintenance, be absolutely sure to disconnect the power plug from the power outlet.

Connecting the power cable

Be absolutely sure to connect the power cable of the AC adapter through a circuit breaker using one of the following methods.

- (1) Connect the power cable through a power control unit.
- (2) Connect the power cable to a circuit breaker in a power distribution panel with a contact distance of 3.0 mm or more.
Use a circuit breaker which is capable of shutting off all the poles of the main power supply with the exception of the protective ground conductor.
- (3) Install the AC adapter near the power outlet, and connect it through the power plug.

If there is a possibility of noise interference

Either wire the cables so that the power cable (ceiling light cord) of AC 100 V or more, and the signal cable are placed at least 1 m {3.3 feet} apart. Alternatively run each cable through its own metal conduit. (The metal conduits must be grounded.)

Radio signal interference

If the unit is positioned near a TV or radio transmitting antenna or a strong electrical field or magnetic field (such as that generated by a motor, transformer or power lines), its images may be distorted and/or the images may be affected by noise.

When connecting the cables, ensure that the connector areas will not be subject to any load.

Doing so may cause malfunctioning.

Allowing the generated heat to escape

This unit allows the heat generated inside to escape from its surfaces.

Do not install the unit in a location where it will be surrounded by walls or other surfaces and where heat will be trapped. In addition, the heat is dissipated to the bottom panel which will warm up over time: This is normal and not indicative of any trouble.

IMPORTANT

- The product name and its electrical ratings are marked on its bottom panel.

Operating precautions

Shoot under the proper lighting conditions.

To produce pictures with eye-pleasing colors, shoot under the proper lighting conditions. The pictures may not appear with their proper colors when shooting under fluorescent lights. Select the proper lighting as required.

To ensure a stable performance in the long term

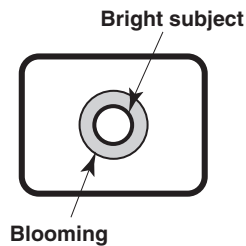
Using the unit for prolonged periods in locations where the temperature and humidity levels are high will cause its parts to deteriorate, resulting in a reduction of its service life. (Recommended temperature: Max. 35 °C {95 °F}) Ensure that a cooling unit or heating unit will not blow any air directly toward the installation location.

Image persistence on the CMOS sensor color filters

If parts of the CMOS sensor are exposed continuously to spotlights or other bright lights, the color filters inside the CMOS sensor will deteriorate, and the parts concerned may become discolored.

Do not point the camera at strong lights.

When parts of the CMOS sensor are exposed to spotlights or other strong lights, blooming (a phenomenon where the edges of strong lights become blurred) may occur.



Concerning the color reproduction of CMOS sensors

Depending on the color tones of the subjects, the color reproduction may deteriorate: This is normal and not indicative of any trouble.

What happens with high-brightness subjects

Flare may occur if an extremely bright light source is pointed at the lens. In a case like this, change the angle or take some other remedial action.

Operating temperature range

Avoid using the unit in cold locations where the temperature drops below 0 °C {32 °F} or hot locations where the temperature rises above 40 °C {104 °F} since these temperatures downgrade the picture quality and adversely affect the internal parts.

Concerning the HDMI interface standard

This unit has been certified as HDMI-compatible, but on rare occasions images may not be displayed depending on the HDMI device which has been connected to the unit.

Turn off the power before connecting or disconnecting the cables.

Always be sure to turn off the power before connecting or disconnecting the cables.

Operating precautions

Handle the unit carefully.

Do not drop the unit or subject it to strong impact or vibration. Doing so may cause the unit to malfunction.

When the unit is not in use

Turn off the unit's power when it is not in use. When the unit is no longer going to be used, do not leave it lying around, but be absolutely sure to dispose of it properly.

Do not touch the optical system parts.

Under no circumstances must they be touched. In the unlikely event that they have become dusty, remove the dust by using a camera blower or by wiping them gently with a lens cleaning paper.

Do not allow foreign matter to make contact with the rotating parts.

Otherwise, trouble may be caused.

Keep the unit away from water.

Avoid all contact with water. Otherwise, problems may occur.

Maintenance

Be sure to unplug the power cable before proceeding with maintenance.

Otherwise, you may injure yourself.

Wipe the surfaces using a soft dry cloth. Avoid all contact with benzine, paint thinners and other volatile substances, and avoid using these substances. Otherwise, this may result in the deformation or discoloration of the casing.

Do not turn the camera head by hand.

Turning the camera head by hand may cause the unit to malfunction.

Use the unit in an environment with minimal moisture and dust.

Avoid using the unit in an environment with high concentration of moisture or dust since these conditions will damage the internal parts.

Disposal of the unit

When the unit has reached the end of its service life and is to be disposed of, ask a qualified contractor to dispose of the unit properly in order to protect the environment.

When using the automatic functions

- When using the automatic white balance setting (auto tracking white adjustment) function under fluorescent lights, the white balance may vary.
- In some situations, it may be hard to focus at the auto setting. In cases like this, select the manual setting, and focus manually.

Zooming and focusing

When the focus is set manually, out-of-focusing may occur during zooming.

After zooming, if necessary, either adjust the focus or set the focus to auto.

When using the focus at the manual setting, proceed with zooming after setting the focus position at the Tele end where the focusing accuracy is higher.

(However, if the distance from the unit to the subject is less than 30 cm {0.98 feet}, the subject may shift out of focus at the Wide end.)

If zooming is performed to the Tele end after having adjusted the focus at the Wide end, out-of-focusing may occur.

Concerning the home position

The 'home position' refers to the position to which the lens moves first when the unit's power has been turned on.

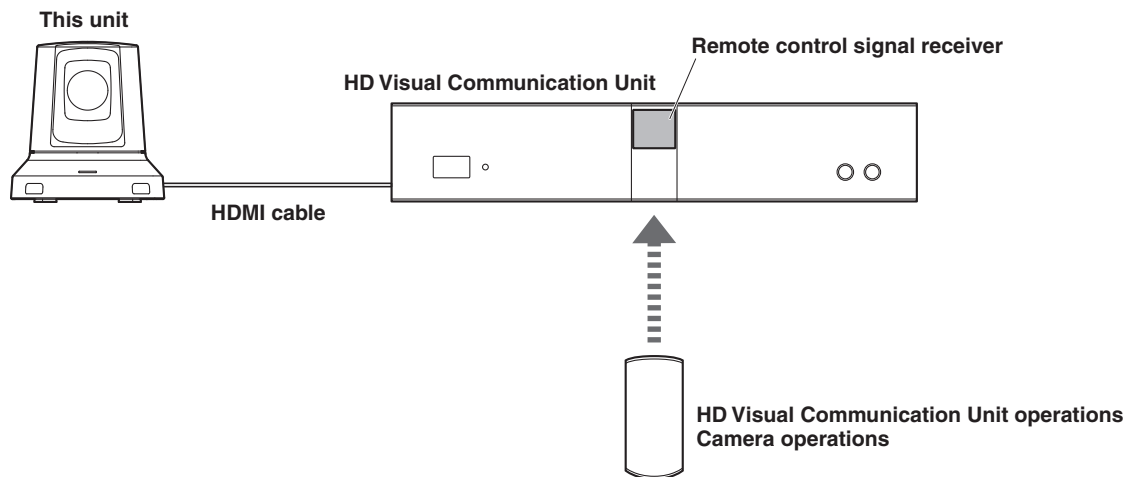
The home position settings (position, brightness, white balance and focus) are the same as the preset 5 settings. To change any of the home position settings, register them in preset 5.

The remote control through function and IR repeater function

This unit is provided with a remote control through function and IR repeater function. These functions are used when this unit is installed apart from the HD Visual Communication Unit so that the HD Visual Communication Unit can be operated using this unit's remote controller signal receiver to receive signals from the remote controller.

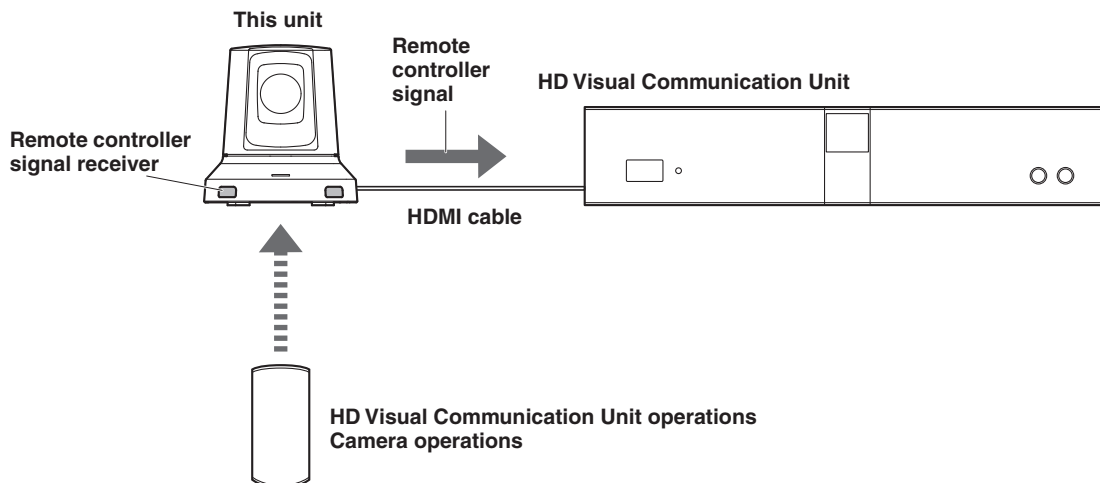
● Regular remote control operations

The signals of the remote controller are received directly by the receiver of the HD Visual Communication Unit, and the operations corresponding to the signals are performed. (The receivers of the camera are not used in cases like this.)



● Remote controller operations using the remote control through function

The remote controller signal receiver of this unit receives the signals from the remote controller. The HD Visual Communication Unit and this unit are operated via the HDMI cable.

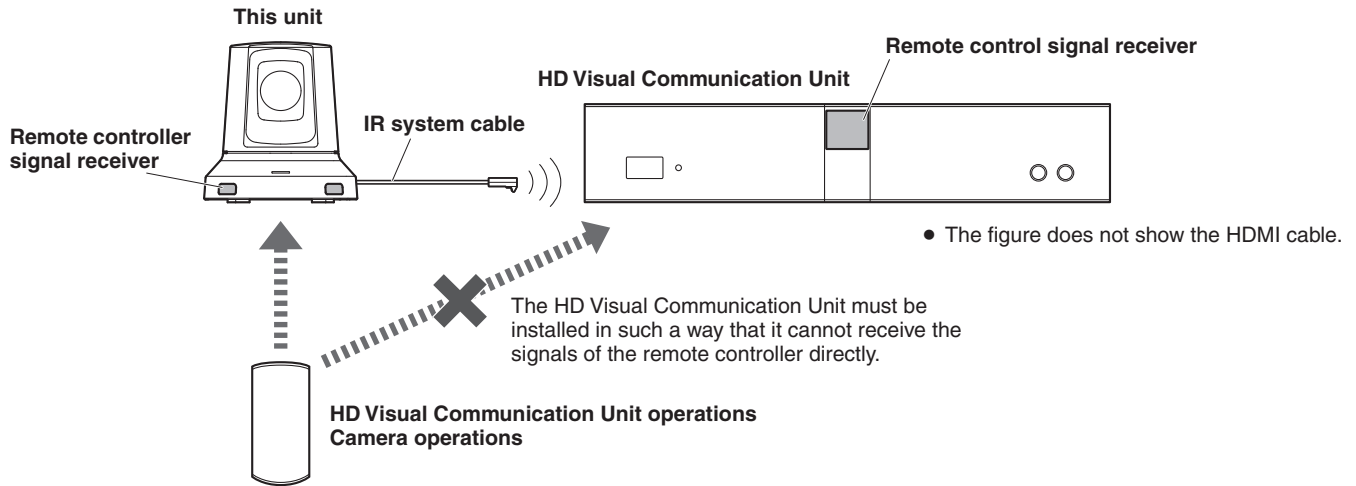


- To turn on the remote control through function, you must perform the settings for the HD Visual Communication Unit. For details on how to select the settings, refer to the operating instructions of the HD Visual Communication Unit to be connected.
- There may be a delay in the remote control through function due to repetition of operation. If such delays in operation pose a problem, use the IR repeater function (page 14).

The remote control through function and IR repeater function

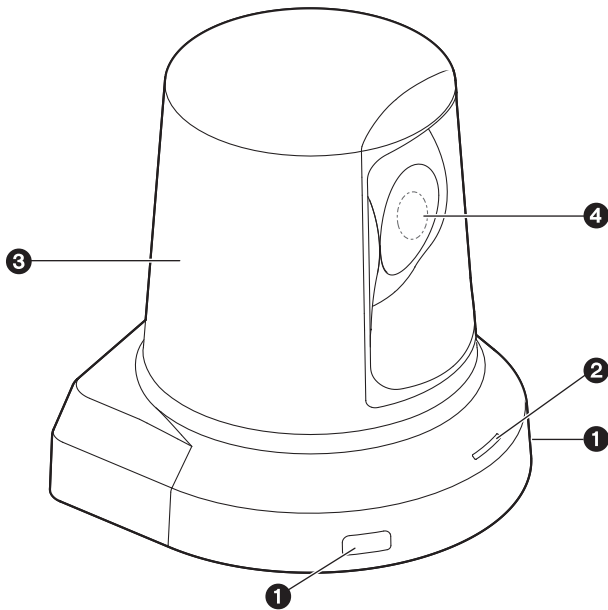
● Remote control operations using the IR repeater function

The remote controller signal receiver of this unit receives the signals from the remote controller. The HD Visual Communication Unit and this unit are operated via the IR system cable.

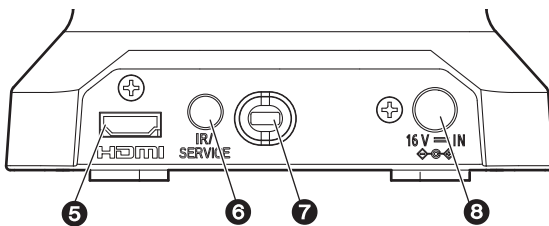


- For details on how to connect the IR system cable (sold separately) and check the operations after the units have been installed, refer to pages 17 and 18.

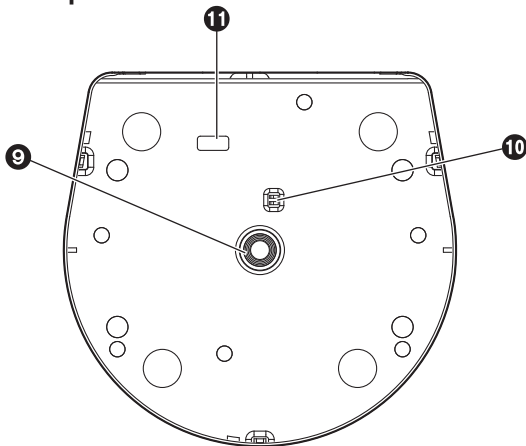
Parts and their functions



<Rear panel>



<Bottom panel>



1 Remote controller signal receiver

Light sensors are located in two places at the front of the camera pedestal.

Used when the remote control through function and IR repeater function are used (pages 13 and 14).

2 Status display lamp

This lights in the following way depending on the status of the unit.

Orange: Standby mode (page 19)

Green: Power ON mode (page 19)

Red: When trouble has occurred in the unit

Green and blinks twice:

When signals from the remote controller are received

3 Camera head

This rotates in the horizontal direction.

4 Lens unit

This rotates in the up and down direction.

5 HDMI connector [HDMI]

This is the HDMI video output connector.

6 IR system/service connector [IR/SERVICE]

Connect the IR system cable to this connector. (See page 17.) The connector is also used for maintenance purposes.

7 Anti-theft wire mounting hole

Use this hole to attach the wire bracket.

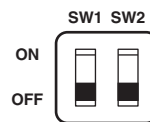
8 DC IN connector [16V IN]

Connect the AC adapter supplied with the unit to this connector to supply the DC 16 V voltage to the unit.

9 Threaded hole (thread: 1/4-20UNC) for mounting the camera

Use this hole when mounting the camera on a tripod, etc.

10 Service switches



SW1: Always set this switch in the "OFF" position for use.

When this switch is set in the "ON" position during use, video output may be disabled.

SW2: Set this switch in the "OFF" position to perform the pan/tilt operation at normal speed.

Set this switch in the "ON" position to perform the pan/tilt operation at low speed.

11 IR system/service selector switch



Set this switch at the "IR" position for use.

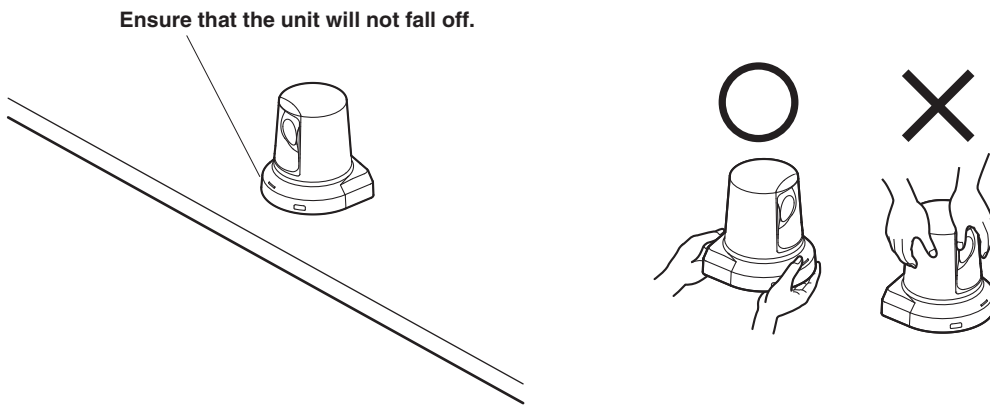
Installation

■ When installing the unit on a desk

Place the unit flat on the surface.

Notes

- Install the unit in a stable location which will not be susceptible to shaking. If the unit is installed in a location which is susceptible to shaking, this will cause the unit's images to shake in turn.
- Take care not to allow the unit to fall or otherwise be damaged during installation.
- When carrying the unit, do not hold it by its head.
- Do not take hold of the camera head or rotate it. Doing so may cause malfunctioning.
- Take care not to pull the connected cables. Doing so may cause the unit to fall and/or it may result in injury.

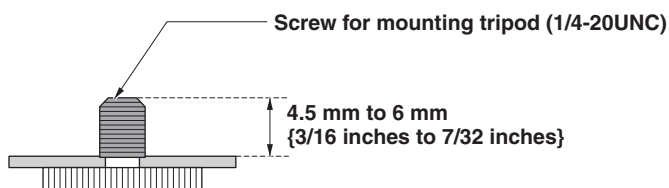


■ When mounting the unit on a tripod

Use a highly stable tripod which can bear the weight of the camera mounted on it. Attach the tripod to the threaded hole for mounting the camera on the camera's bottom panel. Place the tripod on a completely flat and level surface.

Tighten the screw by hand to mount the tripod securely.

Do not tighten the screw by rotating the camera body. Doing so may cause malfunctioning. Use screw for mounting the tripod that satisfy the following standard.

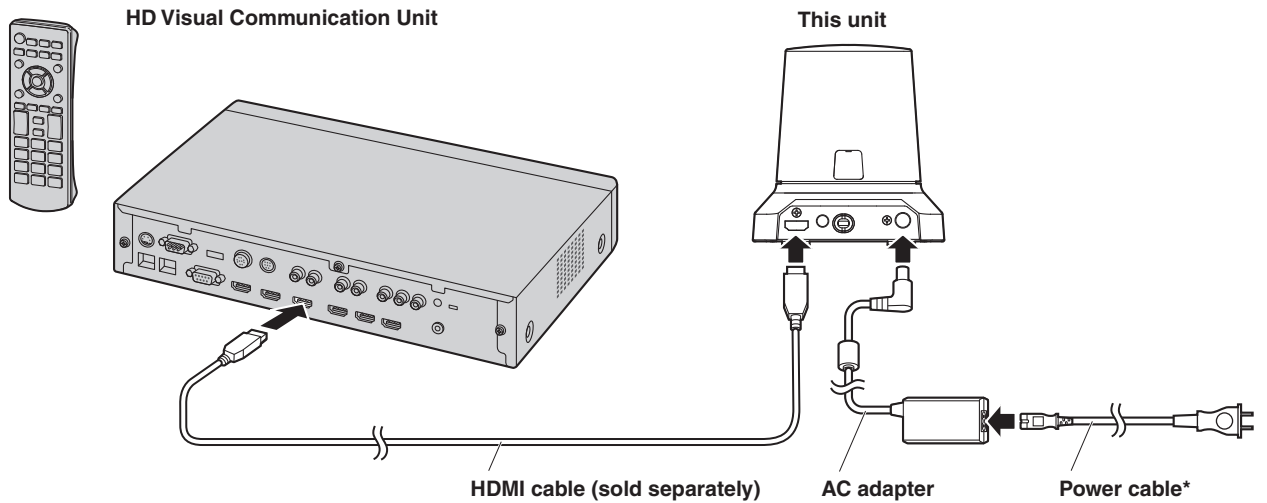


Notes

- Do not install the unit where people will be passing back and forth.
- When using the unit mounted on a tripod, do not put the tripod high above the floor level.
- Mount the unit securely so there is no looseness. Looseness may cause the unit to fall off and/or result in injuries.
- When the unit is going to be used for a prolonged period of time, take steps to ensure that the unit will not topple or fall over and that it will not fall off or fall down. After using the unit, restore the installation location to its original state without delay.

Connections

■ Connections to the HD Visual Communication Unit and AC adapter

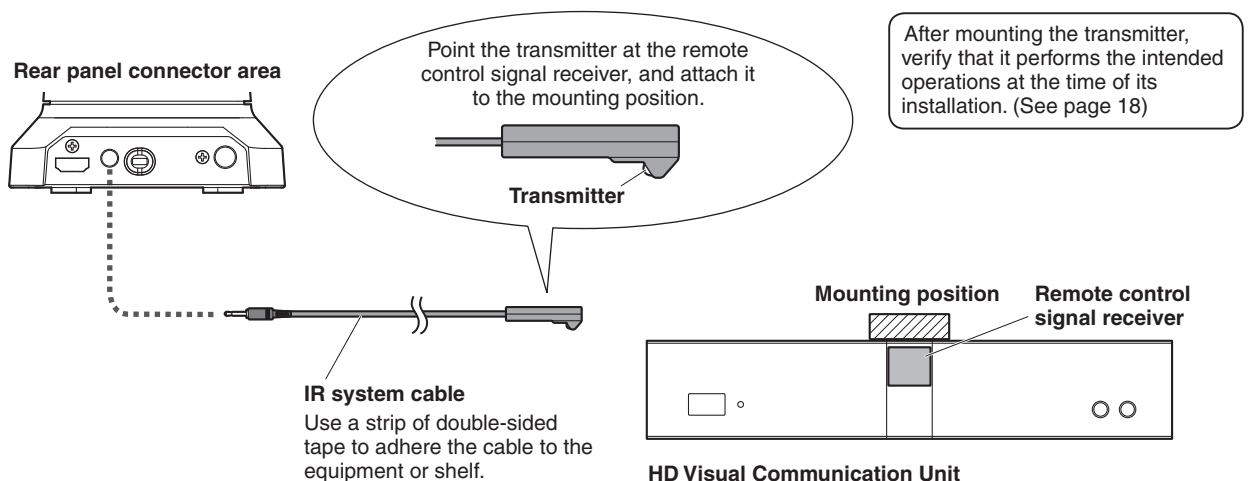


* Use the power cable that is suited to your locality.

- For details on how to operate the unit and select its settings, refer to the operating instructions of the HD Visual Communication Unit to be connected.

■ Connecting the IR system cable (sold separately)

- By connecting an IR system cable (sold separately), the camera can be operated in response to the signals received from the remote controller which is pointed at the camera's remote controller signal receivers. (IR repeater function)
For details on the IR repeater function, refer to pages 13 and 14.



Notes

- Thoroughly remove the dirt and dust in the area where the tape is to be adhered.
- Bear in mind that the strip of double-sided tape supplied is extremely adhesive so if the tape is peeled off with too much force after it has been adhered to a shelf or other surface, the shelf or surface may be damaged.

Connections

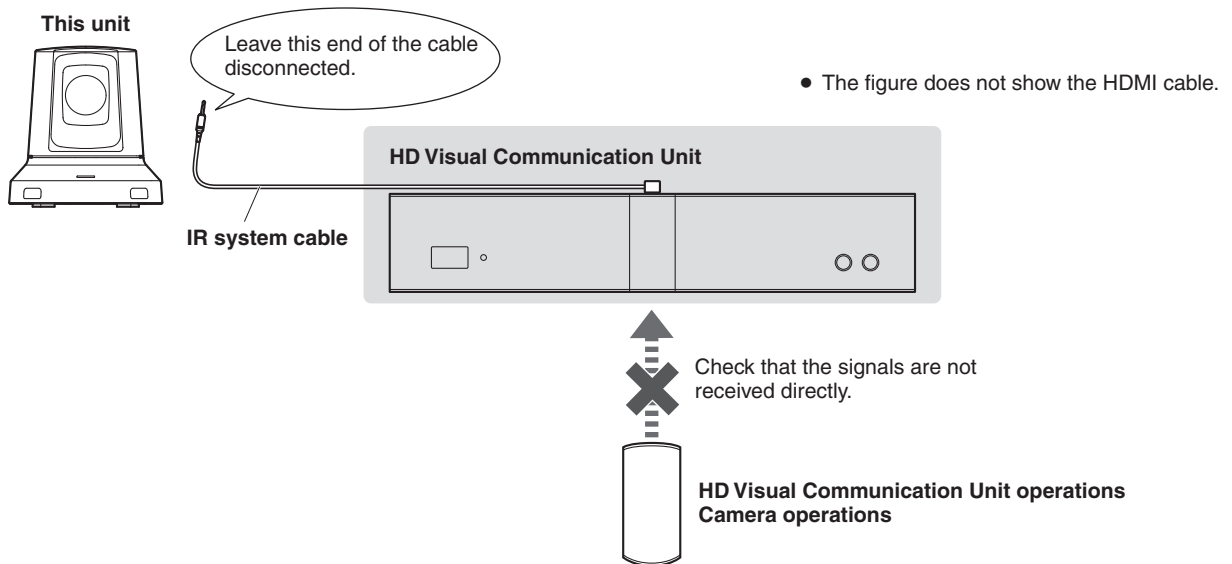
■ Installation precautions for the IR system cable

- Place the HD Visual Communication Unit behind the doors of a system rack, for example, to ensure that the signals of the remote controller will not be received directly. If these signals are received directly, they will interfere with the signals of the IR system cable, and the operations concerned will not be performed properly.
- Turn on the power of the camera if remote control operations using the IR repeater function are to be performed. If the camera's power is not on, it will not be possible to perform remote control operations using the IR repeater function.

■ Checking the operations performed when the IR system cable is installed

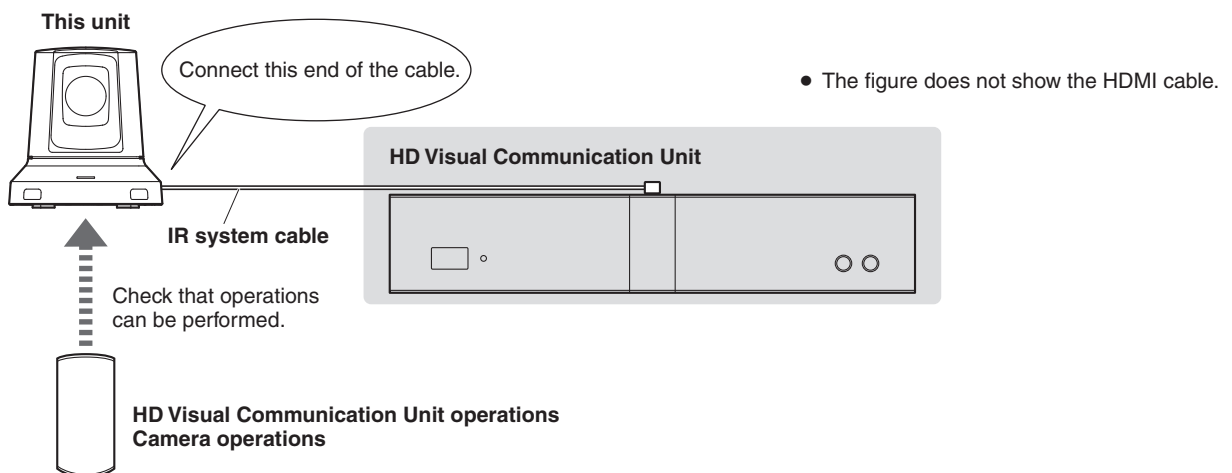
Step 1

With the IR system cable not connected to the camera, perform one or more remote control operations, and check that the HD Visual Communication Unit does not operate in response. (Check that the signals of the remote controller are not being received directly.) If the HD Visual Communication Unit does operate, select another installation location.



Step 2

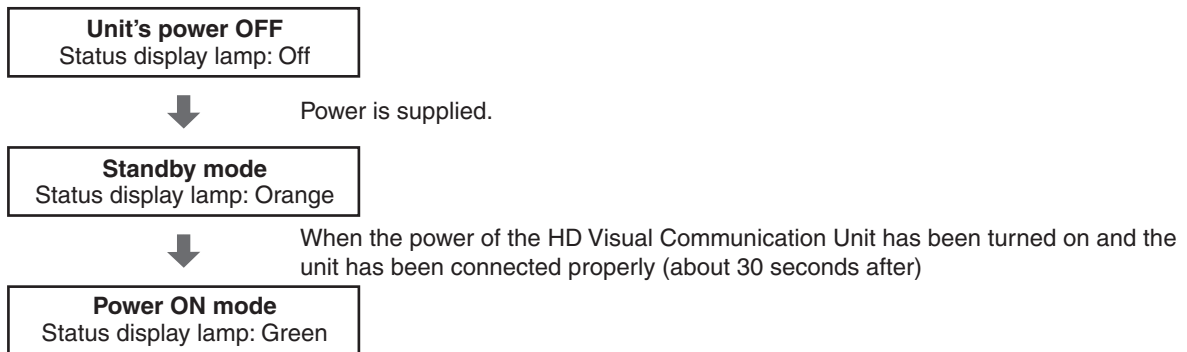
With the IR system cable now connected to the camera, perform one or more remote control operations, and check that the HD Visual Communication Unit operates properly in response.



How to turn the power on and off

Turning the power on

- This unit does not have a power switch. Its power is turned on when power is supplied to the unit.



- The camera moves so that it is positioned at the home position.

Turning the power off

- When the supply of power to the unit is cut off, the unit's power is turned off. The power can be turned off regardless of the unit's mode (standby mode or power ON mode).

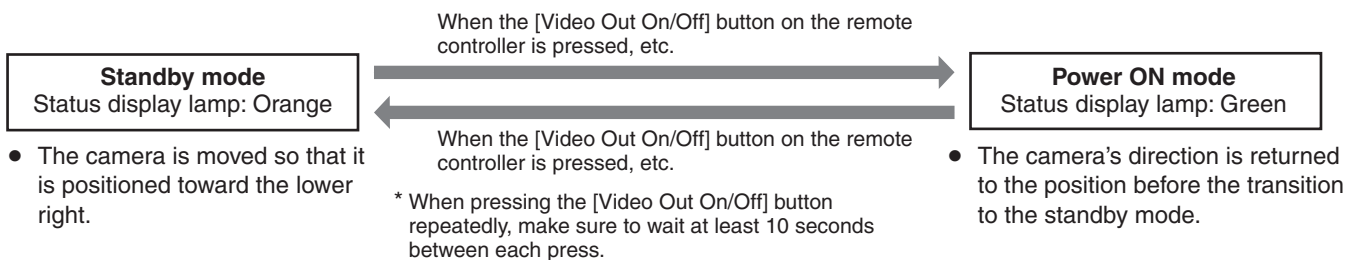
Concerning the mode transitions

[Description of each mode]

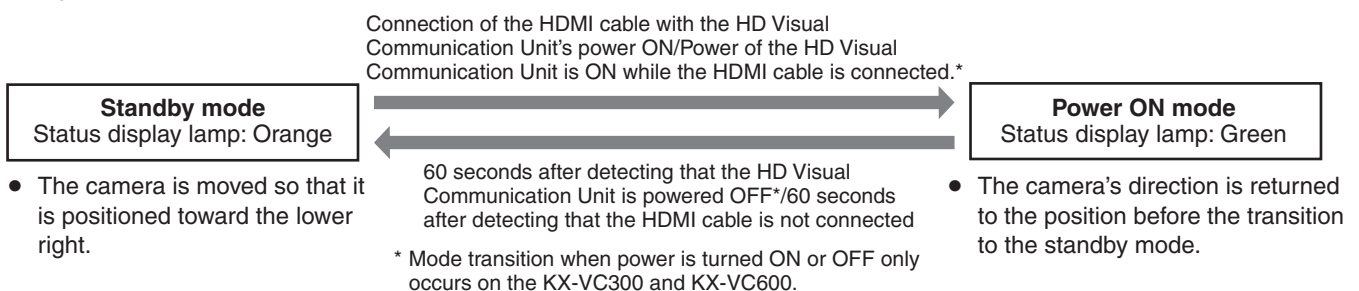
Mode	Status
Standby mode Status display lamp: Orange	When the HD Visual Communication Unit is in one of the statuses described below: <ul style="list-style-type: none"> HD Visual Communication Unit is in screen standby mode.* The power of the HD Visual Communication Unit is OFF or the camera has not been connected to the HD Visual Communication Unit. * When the administrator menu settings of the HD Visual Communication Unit are used to select [HDMI Settings] followed by [Standby] and then [Standby] is set from [OFF] to [ON], the transition of the status of the camera mode becomes linked with the screen standby status of the unit. For details of the screen standby function, refer to the operating instructions of the HD Visual Communication Unit.
Power ON mode Status display lamp: Green	Status in which the camera has been connected properly to the HD Visual Communication Unit and can be controlled

The transition of the status of the camera mode is linked with the status of the HD Visual Communication Unit.

[Linkage with the screen standby status of the HD Visual Communication Unit]



[Linkage with the status of the connection with the HD Visual Communication Unit]



Factory setting

■ Factory settings for the setting items

Item	Factory setting
Brightness	Auto
White Balance	Auto
Focus	Focus Position: Center, Focus Mode: Auto
Backlight	OFF
Digital Zoom	OFF
Preset number 1-9	Pan/Tilt Position: Center Brightness: Auto White Balance: Auto Focus: Auto
Home Position*	Fixed at preset number 5

* The camera moves to this position first when its power is turned on.

- For details on how to operate the unit and select its settings, refer to the operating instructions of the HD Visual Communication Unit to be connected.

Troubleshooting

● Operation

Symptom	Cause and remedial action	Reference pages
No power	<ul style="list-style-type: none"> Is the power plug securely connected to the AC outlet? 	—
	<ul style="list-style-type: none"> Are the AC adapter and the power cable connected properly? 	P.17
Cannot operate (common to wireless remote controller, HD Visual Communication Unit)	<ul style="list-style-type: none"> Is the power on? → If the unit's status display lamp is off, it means that the unit's power is not being supplied. 	P.19
	<ul style="list-style-type: none"> Has the camera been selected correctly from the HD Visual Communication Unit? 	Operating instructions of the HD Visual Communication Unit
Cannot perform operations with the remote controller using the remote control through function or the IR repeater function	<ul style="list-style-type: none"> Have the remote control's batteries run down or have the batteries been installed with their polarities reversed? → If the status display lamp does not blink even when the remote controller is operated near the remote controller signal receiver, it means that the batteries have run down. Replace the batteries. 	Operating instructions of the HD Visual Communication Unit
	<ul style="list-style-type: none"> Is there a fluorescent light or plasma monitor near the unit and, if so, is the remote controller signal receiver exposed to its light? 	—
	<ul style="list-style-type: none"> When using the remote control through function, did you set the remote controller signal receiver of the camera to "ON" using the HD Visual Communication Unit setting? 	Operating instructions of the HD Visual Communication Unit
	<ul style="list-style-type: none"> When using the IR repeater function, are the signals of the remote controller being received by the HD Visual Communication Unit? 	P.18
	<ul style="list-style-type: none"> When using the IR repeater function, has the IR system/service selector switch been set to the service position? 	P.15
Camera is out of alignment with the preset positions	<ul style="list-style-type: none"> The camera may not be in alignment with the preset position if its position was forcibly moved by hand while images were being displayed. → Turn the camera's power off and then back on. 	P.19
The status display lamp has lighted up in red	<ul style="list-style-type: none"> Trouble has occurred in the camera. → Turn the camera's power off and then back on. 	P.15 P.19

Troubleshooting

● Video

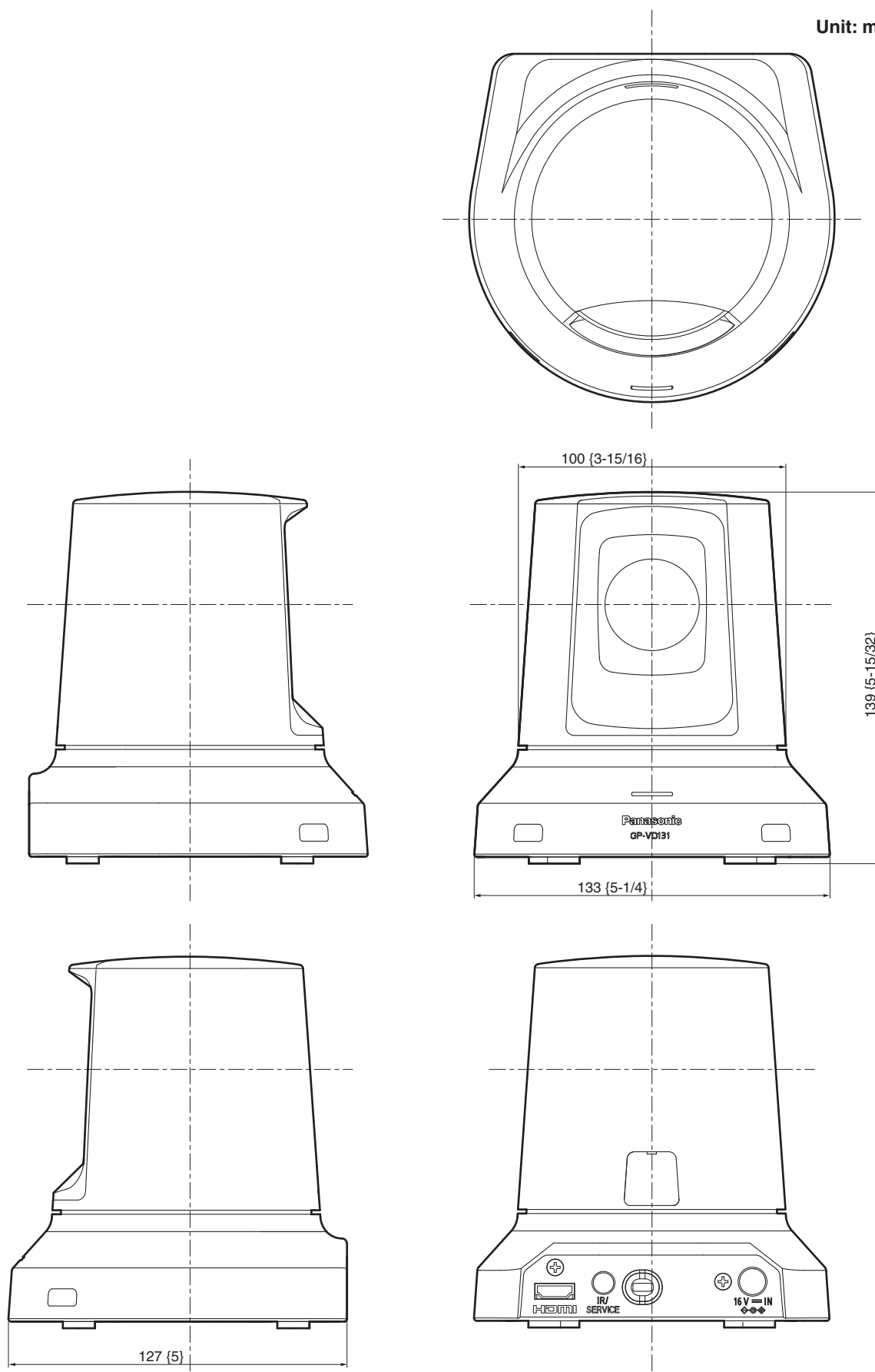
Symptom	Cause and remedial action	Reference pages
No pictures are displayed or the pictures are disturbed	<ul style="list-style-type: none"> • Has the unit been connected properly to the HD Visual Communication Unit? 	P.17
	<ul style="list-style-type: none"> • Has the camera been selected correctly from the HD Visual Communication Unit? 	Operating instructions of the HD Visual Communication Unit
	<ul style="list-style-type: none"> • Are all the service switches at the OFF position? 	P.15
No auto focusing	<ul style="list-style-type: none"> • Is the focus set to manual? → Auto focusing is initiated as soon as the focus is set to auto. 	Operating instructions of the HD Visual Communication Unit
	<ul style="list-style-type: none"> • In some situations, it may be hard to focus at the auto setting. → Select the manual setting, and focus manually. 	Operating instructions of the HD Visual Communication Unit
The subject is not brought into focus during zooming when the manual setting is used for the focus	<ul style="list-style-type: none"> • Was the focus adjusted at the Tele end? → First adjust the focus at the Tele end where the focusing accuracy is higher, and then proceed with the zooming. 	Operating instructions of the HD Visual Communication Unit
	<ul style="list-style-type: none"> • Under some operating conditions, it may be hard to bring subjects into focus. → Use the focus at the auto setting. 	Operating instructions of the HD Visual Communication Unit
Something is wrong with the coloring of the pictures	<ul style="list-style-type: none"> • Activate the automatic white balance setting (auto tracking white adjustment) function. 	Operating instructions of the HD Visual Communication Unit
	<ul style="list-style-type: none"> • In some situations, the proper colors may not be reproduced using the automatic white balance setting function. → Adjust the white balance manually. 	Operating instructions of the HD Visual Communication Unit

Troubleshooting

Symptom	Cause and remedial action	Reference pages
The pictures are too light or too dark	<ul style="list-style-type: none"> Adjust the brightness manually. 	Operating instructions of the HD Visual Communication Unit
The subjects appear distorted	<ul style="list-style-type: none"> If a subject has suddenly crossed in front of the camera, it may appear slightly distorted because this camera uses a CMOS image sensor. This is normal and not indicative of any problem. 	—
	<ul style="list-style-type: none"> The subjects sometimes appear distorted owing to the characteristics of the wide-angle lens used. This is normal and not indicative of any problem. 	—
When the flash is fired during shooting, only the top or bottom of the screen becomes lighter	<ul style="list-style-type: none"> With a CMOS image sensor, the shooting timing differs slightly between the top left and bottom right of the screen. This means that when the flash is fired, the bottom of the screen will become lighter in the field concerned and the top will become lighter in the next field. This is normal and not indicative of any problem. 	—
When fine lines or cyclical patterns are shot, flickering is seen or coloring is added to them	<ul style="list-style-type: none"> This phenomenon occurs because the pixels are arranged systematically on each image sensor. It is noticeable when the spatial frequency of a subject and the pixel pitch are brought into proximity so change the camera angle or take other such action. 	—

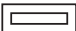
Appearance

Unit: mm {inch}



Specifications

Power requirements:	DC 16 V \pm 10 % (AC adapter provided)
Power consumption:	600 mA

 indicates safety information.

■ GENERAL

Ambient operating temperature:	0 °C to +40 °C {+32 °F to +104 °F}
Storage temperature:	-20 °C to +50 °C {-4 °F to +122 °F}
Allowable humidity ranges:	20 % to 90 % (no condensation)
Mass:	Approx. 0.8 kg {1.77 lbs.}
Dimensions (W × D × H):	133 mm × 127 mm × 139 mm {5-1/4 inches × 5 inches × 5-15/32 inches}
Finish:	Silver

■ INPUT

Input connector:	DC 16 V IN
-------------------------	------------

■ OUTPUT

Video output:	HDMI (HDMI connector)
----------------------	-----------------------

■ FUNCTIONS AND PERFORMANCE

[Camera unit]

Imaging sensors:	1/2.8-type Full-HD CMOS
Lens:	Motorized 3× zoom, F1.2 to 2.0 (f=3.0 mm to 9.0 mm)
Focus:	Switching between auto and manual
Focus distance:	Entire zooming range: 3.0 m {9.84 feet}
Horizontal resolution:	850 TV lines Typ (Center area)
White balance function:	Provided
Output format:	HD 1080: 59.94p HD 1080: 59.94i

[Pan-tilt head unit]

Pan/tilt operation speed:	Max. 90°/s or more
Panning range:	\pm 100°
Tilting range:	\pm 20°
Quietness:	NC35 (normal speed), NC40 (when preset)

■ AC adapter

[PNLV6506]

Mass:	Approx. 240 g {0.53 lbs.}
Input:	AC 100 V to 240 V, 1.2 A to 0.6 A, 50 Hz/60 Hz
Output:	DC 16 V, 2.5 A

[PNLV6507]

Mass:	Approx. 210 g {0.46 lbs.}
Input:	AC 100 V to 240 V, 0.50 A to 0.27 A, 50 Hz/60 Hz
Output:	DC 16 V, 1.5 A

Mass and dimensions shown are approximate.
Specifications are subject to change without notice.

For Europe and other countries:

Panasonic Corporation

<http://www.panasonic.com>

Panasonic Corporation
Osaka, Japan

Authorised Representative in EU:

Panasonic Testing Centre
Panasonic Marketing Europe GmbH
Winsbergring 15, 22525 Hamburg, Germany