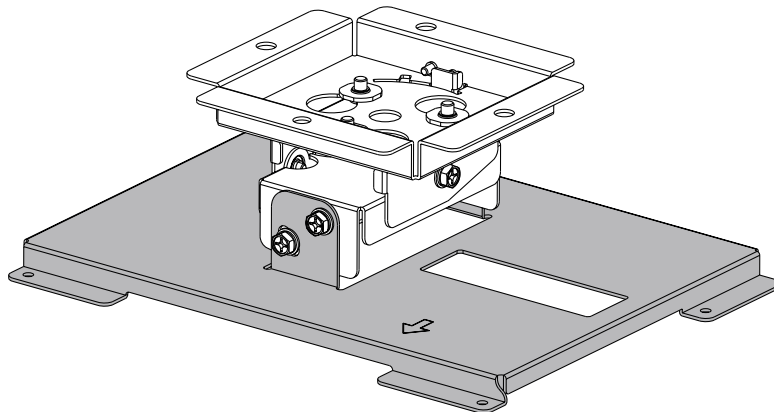


## Installation Instructions

### Projector Mount Bracket

Model No. **ET-PKL430B**



\* The figure above shows a combination of this product and the separately sold ceiling mount bracket (for low ceilings) ET-PKL100S.

Thank you for purchasing this Panasonic Product.

#### ■ To customers

The "Installation Instructions" is intended for use by installation personnel. Be sure to employ certified personnel to perform the installation. After installation, have the installation personnel return this "Installation Instructions" to you, and save it for future use. When moving or removing the projector, give this "Installation Instructions" to the installation personnel and have them perform the procedure.

#### ■ To installation personnel

Carefully read the "Installation Instructions" and install this product correctly and safely. Be sure to read through the section entitled "Read this first!" (page 3) before proceeding with the installation. After installation, return this "Installation Instructions" to the customer.



# Contents

<b>Read this first!</b> .....	<b>3</b>
<b>Product description</b> .....	<b>4</b>
<b>Standard installation dimensions</b> .....	<b>5</b>
<b>Installation</b> .....	<b>7</b>
Setting up the screen.....	7
Screws tightening torques .....	7
Installing the bracket to the projector.....	7
Attaching the projector drop-prevention kit.....	8
<b>Specifications</b> .....	<b>9</b>
<b>Dimensional relationship</b> .....	<b>Appendix</b>

## WARNING:

**Installation work should only be carried out by the certified personnel.**

- If this product is not installed correctly, serious accidents may result.
- Follow the instructions specified in "Installation" of this manual, and perform secure installation.

**Install the ceiling mount bracket in accordance with the structure and materials of the installation location.**

- If a mistake is made in the installation procedure, the ceiling mount bracket may fall down and an injury may result.

**Mounting and installation must be carried out by two or more persons.**

- When installing the projector in an overhead location, for example, in a high ceiling, at least two persons will be required to handle the installation.

**Make sure that your footing is safe and secure during installation.**

- If your footing is not secure, you may fall down or drop the unit, and an injury may result.

**Do not loosen or remove the unit screws and bolts unnecessarily.**

- The projector may fall down and an injury may result.

**Do not install in a location that is not strong enough.**

- If the installation location is not strong enough, the unit may fall down and damage to the projector or an injury may result.

**Do not install the ceiling mount bracket in humid or dusty locations or in locations where the ceiling mount bracket may come into contact with oily smoke or steam.**

- Using the projector under such conditions may result in fire or electric shock. Also, the oil will cause the plastic to deteriorate and the projector may fall down when installed on a ceiling.

**Do not allow children to reach the supplied screws and flat washer.**

- The supplied screws and flat washer can cause personal injury if swallowed.
- If swallowed, seek medical advice immediately.

**Do not disassemble or modify the ceiling mount bracket.**

- The projector may be damaged or fall, causing injury.

## CAUTION:

**Only install a designated projector.**

**Only install using a designated method.**

- The projector may fall down and be damaged, and an injury may result.

**Do not install the unit in a location that may impede projector ventilation.**

- A fire may result.

**Do not hang from or hang objects on the projector or ceiling mount bracket.**

- The projector may fall and cause injury.

**When installing, always use the supplied components.**

- The unit may be damaged, or the projector may fall down and an injury may result.

**Install the mounting screws and power cable in such a way that they will not make contact with metal objects inside the ceiling.**

- Electric shocks may result from contact with any metal objects inside the ceiling.

■ **Panasonic Connect Co., Ltd. takes no responsibility for any accident or damage caused by the installation of the ceiling mount bracket using methods that are not described or methods that do not use the parts specified in these Installation Instructions.**

■ **If products are no longer being used, they should be dismantled and removed by certified personnel as soon as possible.**

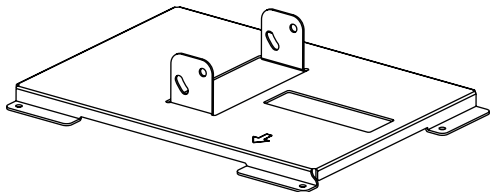




# Product description

This is a projector mount bracket for installing projectors.

## ■ Applicable ceiling mount brackets

ET-PKL100S (for low ceilings) / ET-PKL100H (for high ceilings)

## ■ Structural components

Parts name	Form (number of parts)	Applications
Projector mount bracket	 × 1	This is used to install the projector itself. It has a function which allows adjustment of the left and right tilt.
Screws	Screw, captive washer (M4×10)  × 4	These are used to secure the projector mount bracket to the projector.
Projector drop-prevention kit	Screw, captive washer (M4×12)  × 1 Wire rope [2.0 mm (3/32") wire diameter, 600 mm (23-5/8") length]  × 1 Flat washer (M8)  × 1	Prevents the projector from falling.

- Store small parts in an appropriate manner, and keep them away from small children.
- Tightening torque for the screw is M4:  $1.25 \pm 0.2 \text{ N} \cdot \text{m}$ .
- When tightening up the screws, use a tool such as a torque screwdriver. Do not use electric screwdrivers or impact screwdrivers.

## Attention

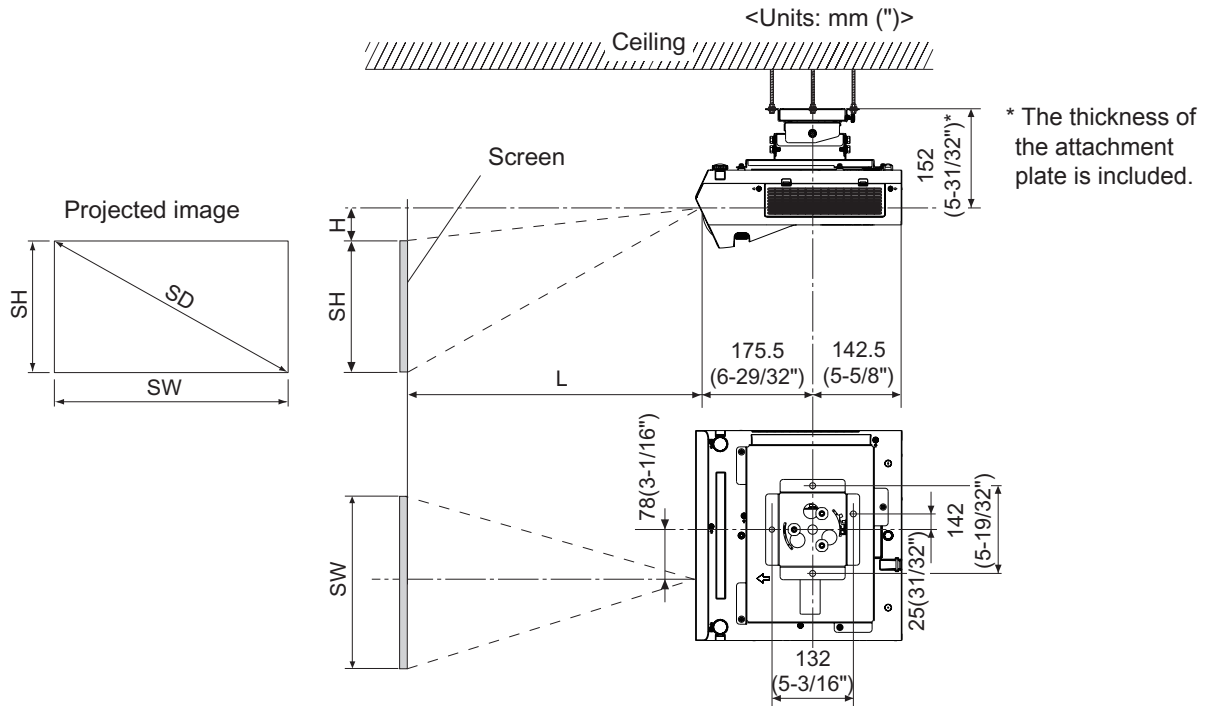
- Dispose of the packaging materials properly after taking the product out of it.

# Standard installation dimensions

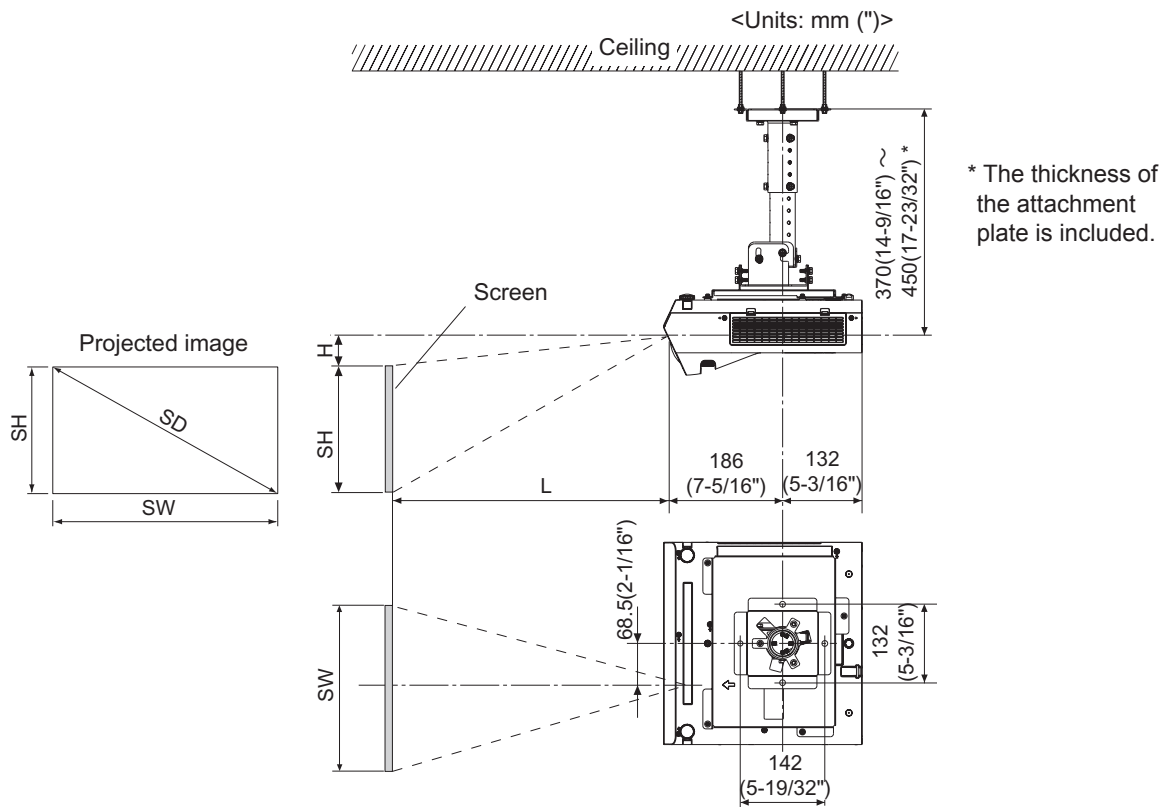
The dimensional relationship between the screen and projection is shown below.  
Establish the dimensions after assessing the area possible for installation.

## ■ Dimensional relationship diagram

<When using the ceiling mount bracket ET-PKL100S (for low ceilings)>



<When using the ceiling mount bracket ET-PKL100H (for high ceilings)>



## Standard installation dimensions (continued)

### Note

- This illustration assumes that the projector will be installed so that the projected image fills the screen and properly aligned with it.
- This drawing is not in exact scale.

SH	Height of the projection area	L	Projection distance
SW	Width of the projection area	H	Distance from the center of lens to the image upper end
SD	Diagonal length of the projection area		

### Note

- Depending on the product, the appearance may differ from the illustrations in these installation instructions.

### Attention

- Install the projector at least 500 mm (19-11/16") on the air intake ports (1,000 mm (39-3/8") on the exhaust port side) away from the surrounding walls or objects in order to ensure that the air intake/exhaust ports of the projector will not be blocked.
- Avoid setting up in places which are subject to sudden temperature changes, such as near an air conditioner or lighting equipment (studio lamps, etc.).

### ■ Dimensional relationship

For the formula of the projection distance (L), refer to the appendix at the end of this instruction.

# Installation

After checking the height, width and structure of the installation location while referring to the “Dimensional relationship diagram” in the “Standard installation dimensions” (pages 5-6) and “Dimensional relationship” in the Appendix, determine the appropriate positions for setting up the screen and installing the projector.

## Setting up the screen

Set up the screen according to the specified method in a position which takes into account the projection distance and angle and the type of screen being used.

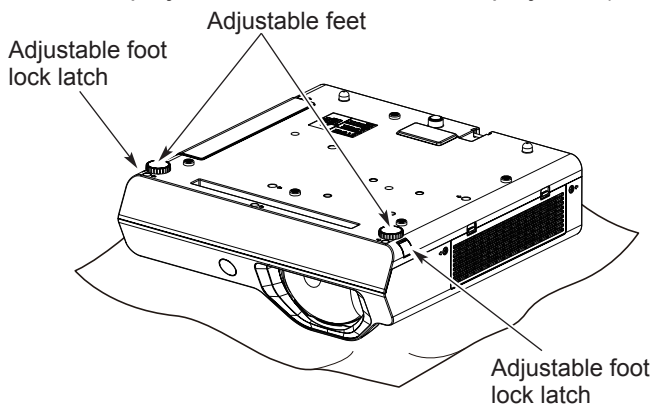
## Screws tightening torques

M4.....1.25 ± 0.2 N • m

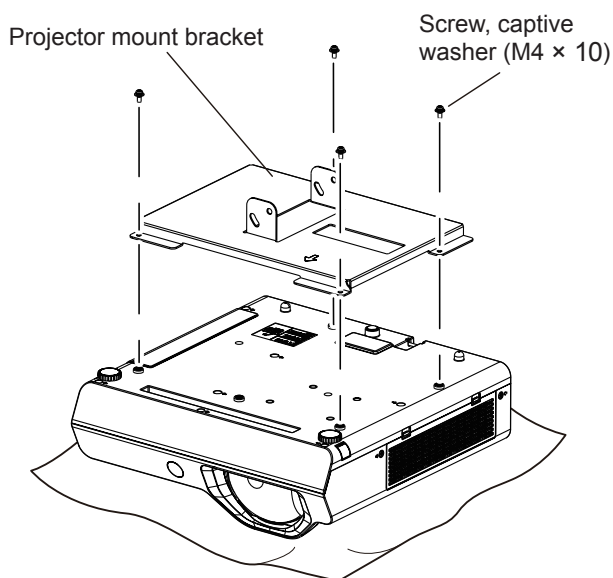
- When tightening the screws, use a torque screwdriver or a hexagonal torque wrench to tighten the screws to the specified tightening torques. Do not use electric screwdrivers or impact screwdrivers.

## Installing the bracket to the projector

Install the projector mount bracket to the projector (sold separately) by following the procedure below.



- 1 Place the projector upside down on top of a soft cloth.
- 2 Retract the adjustable feet.
  - Press the adjustable foot lock latch and release them at shortest length of the adjustable feet. Or rotate the adjustable feet in clockwise to retract them.

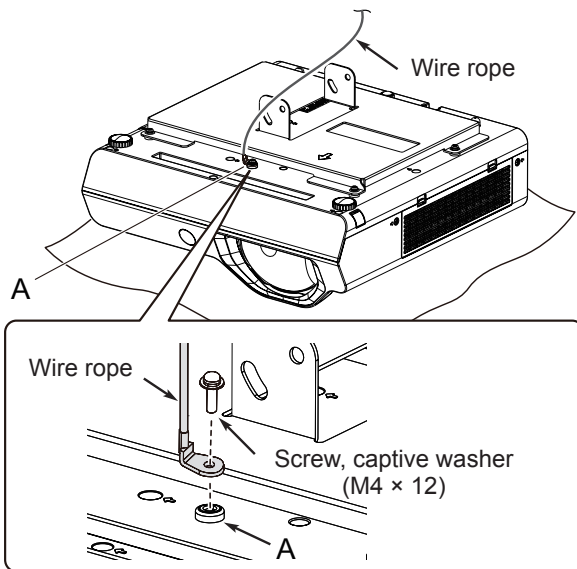


- 3 Secure the projector mount bracket to the bottom of the projector using the 4 supplied captive washer screws (M4 × 10) as illustrated on the left.

## Installation (continued)

### Attaching the projector drop-prevention kit

Install the wire rope to the projector (sold separately).



As shown in the figure on the left, secure the one end (round crimping terminal) of the supplied wire rope to the A on the projector by using the 1 supplied captive washer screw (M4 x 12).

#### Attention

- Be sure to use the supplied wire rope.

#### Note

- Use the supplied flat washers while installing the wire rope to the ceiling.
- The position of A may vary with the model. For the information of the position of installing the wire rope, refer to the Operating Instructions of the projector.

#### Note

- For information on how to join this product to the ceiling mount bracket (for low ceilings) (separately sold) or the ceiling mount bracket (for high ceilings) (separately sold) and how to attach the wire rope in the ceiling, refer to the installation instructions or other instructions supplied with the ceiling mount bracket (for low ceilings) or the ceiling mount bracket (for high ceilings).



# Specifications

Range of adjustment	Horizontal tilt correction angle* <sup>1</sup>	$\pm 10^\circ$
External dimensions		Width: 300 mm (11-13/16") Height: 55 mm (2-5/32") Depth: 242 mm (9-17/32")
Weight		Approx. 0.8 kg (1.76 lbs)

\*1 When using the ceiling mount bracket ET-PKL100S (for low ceilings) or the ceiling mount bracket ET-PKL100H (for high ceilings).

---

# Panasonic Connect Co., Ltd.

Web Site : <https://panasonic.net/cns/projector/>  
© Panasonic Connect Co., Ltd. 2022

SS0514JZ3042 -ST  
Printed in Japan