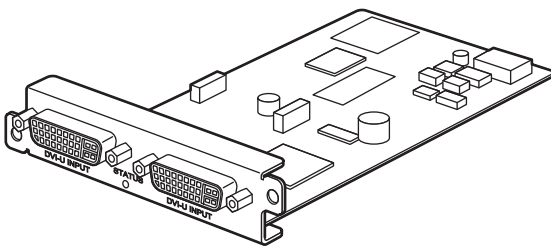


Operating Instructions

Included Setup Instructions

Interface Board **Commercial Use**

Model No. **ET-MCYDV100**
ET-MCQDV150
ET-MCYSD200
ET-MCYSD210
ET-MCQDL350



* The illustration above is an example. In this manual, illustrations of ET-MCYDV100 are used as an example unless otherwise specified.

Read before use

The "Operating Instructions" explains about the interface boards to be installed to the Multi Window Processor sold separately. For Model No. and model names, refer to the product list (➔ page 4).

Thank you for purchasing this Panasonic product.

- Before using this product, please read this "Operating Instructions" and the "Operating Instructions" of the Multi Window Processor carefully and save the manuals for future use.
- Before using this product, be sure to read "Read this first!" (➔ pages 2 to 3).
- To users:
This product is used together with the Multi Window Processor sold separately. Be sure to ask a qualified technician or your dealer when installing it. This manual is for users and also for installation technician. When installing the unit, provide this manual to installation technician. After installation, ask them to return this manual.
- To installation technician:
Read this manual and perform installation work properly and safely. Be sure to read "Read this first!" (➔ pages 2 to 3) before installation.
After installation, please return this manual to users.

Read this first!

WARNING:

This is a class A product. In a domestic environment this product may cause radio interference in which case the user may be required to take adequate measures.

FCC NOTICE (USA)

Verification

Model Number: ET-MCYDV100, ET-MCQDV150, ET-MCYSD200, ET-MCYSD210, ET-MCQDL350

Trade Name: Panasonic

Responsible Party: Panasonic Corporation of North America

Address: Two Riverfront Plaza, Newark, NJ 07102-5490

Telephone number: (877)803-8492

E-mail: projectorsupport@us.panasonic.com

This device complies with Part 15 of the FCC Rules.

Operation is subject to the following two conditions:

(1) This device may not cause harmful interference, and (2) this device must accept any interference received, including interference that may cause undesired operation.

To assure continued compliance, follow the attached installation instructions and do not make any unauthorized modifications.

Caution:

This equipment has been tested and found to comply with the limits for a Class A digital device, pursuant to part 15 of the FCC Rules. These limits are designed to provide reasonable protection against harmful interference when the equipment is operated in a commercial environment. This equipment generates, uses, and can radiate radio frequency energy and, if not installed and used in accordance with the instruction manual, may cause harmful interference to radio communications. Operation of this equipment in a residential area is likely to cause harmful interference in which case the user will be required to correct the interference at his own expense.

NOTIFICATION (Canada)

This class A digital apparatus complies with Canadian ICES-003.

Product information (for Turkey only)

EEE Yönetmeliğine Uygundur.

EEE Complies with Directive of Turkey.

Importer's name and address within the European Union

Panasonic Marketing Europe GmbH

Panasonic Testing Center

Winsbergring 15, 22525 Hamburg, Germany

WARNING:

■ **ON USE/INSTALLATION**

Do not set up the device in humid or dusty places or in places where the device may come into contact with oily smoke or steam, ex. a bathroom.

Using the device under such conditions will result in fire or electrical shock.

Do not allow metal objects, flammable objects, or liquids to enter inside of the device. Do not allow the device to get wet.

Doing so may cause short circuits or overheating, and result in fire, electric shock, or malfunction of the device.

- Do not place containers of liquid or metal objects near the device.
- If liquid enters inside of the device, consult your dealer.
- Particular attention must be paid to children.

CAUTION:

■ **ON USE/INSTALLATION**

Do not place the device in extremely hot locations.

Doing so will cause the outer casing or internal components to deteriorate, or result in fire.

- Take particular care in locations exposed to direct sunlight or near stoves.

Ask a qualified technician or your dealer when installing or removing this product.

Failure to do so may result in electric shock.

Precautions for use

■ Ask a qualified technician or your dealer when installing the interface board to the Multi Window Processor.

Be sure to ask a qualified technician or your dealer when installing the interface board to the Multi Window Processor. Static electricity may cause malfunctions.

■ Interface board for input and output

To use the Multi Window Processor, you need to install at least one interface board for input and one interface board for output.

Disposal

To dispose of the product, ask your local authorities or dealer for correct methods of disposal.

Product list

Product name	Model No.	Remarks
Interface Board for DVI-U 2input	ET-MCYDV100	This is the interface board with 2 inputs for DVI-U signals.
Interface Board for DVI-U 2output	ET-MCQDV150	This is the interface board with 2 outputs for DVI-U signals.
Interface Board for 3G-SDI 2input	ET-MCYSD200	This is the interface board with 2 inputs for 3G-SDI signals.
Interface Board for HD/SD-SDI 4input	ET-MCYSD210	This is the interface board with 4 inputs for HD/SD-SDI signals.
Interface Board for Digital Link 2output	ET-MCQDL350	This is the interface board with 2 outputs for DIGITAL LINK signals.

Installing the interface board

Be sure to ask a qualified technician or your dealer.

■ To the equipment installer:

Before you begin, make sure to read "Read this first!" (➔ page 2).

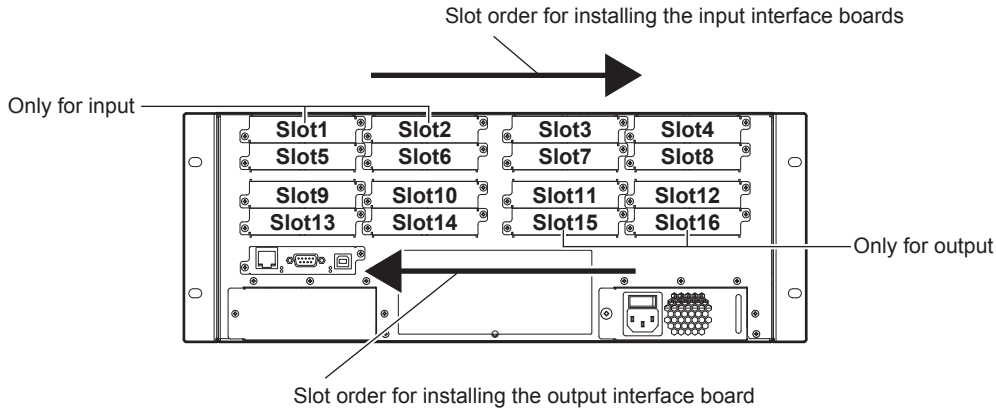
Precautions for installing and removing the interface board

- Make sure to turn off the power before attaching or removing the interface board to/from the Multi Window Processor.
- Do not touch the connecting part of the interface board directly.
 - Doing so may result in static electricity that damages components.
- To prevent damage by static electricity, touch a metal object nearby to remove electrostatic charge on your body before you begin.
- Be careful to avoid injury when installing or removing the interface board.
 - If touched by mistake, lead lines of parts, traces of soldering, and other sharp areas on the surface of the interface board may cause injury to the hand.
 - If touched by mistake, empty slot openings on the Multi Window Processor and edges of the interface board brackets may cause injury to the hand.
- Install the interface board to the Multi Window Processor by slowly and securely inserting it horizontally into the connector.
 - Incorrect attachment may result in failure to operate or malfunction.

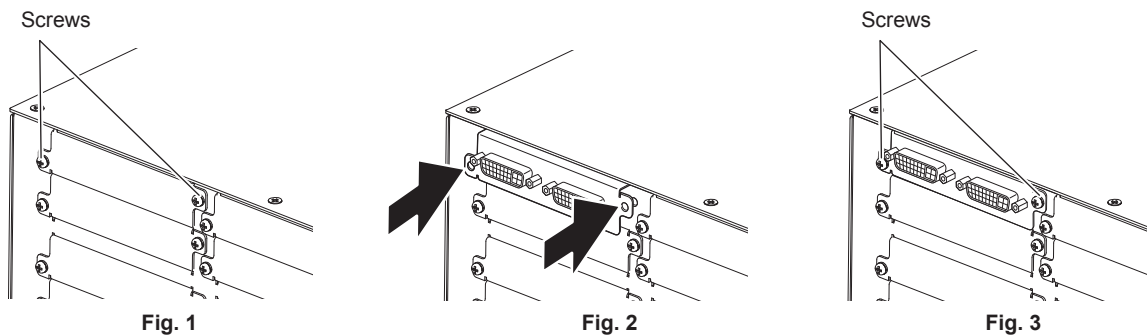
Restrictions on interface board attachment slots

The Multi Window Processor has 16 slots to connect input and output interface boards, with the following slot restrictions:

- **Slot1** and **Slot2** are only for input interface boards. Output interface boards cannot be installed.
- **Slot15** and **Slot16** are only for output interface boards. Input interface boards cannot be installed.
- Install input interface boards in ascending order starting at **Slot1** without leaving any slots empty. To use the Multi Window Processor, you will need to attach at least one input interface board to **Slot1**.
- Install output interface boards in descending order starting at **Slot16** without leaving any slots empty. To use the Multi Window Processor, you will need to attach at least one output interface board to **Slot16**.
- An empty slot can only be set to remaining slots between an attached slot on an input interface board and an attached slot on an output interface board.
- Make sure to attach a slot cover to empty slots.



Installing the interface board



1) Remove the slot cover. (Fig. 1)

- Use a Phillips-head screwdriver to turn the two screws with toothed lock washers securing the slot cover counterclockwise and remove. The removed screws with toothed lock washers will be used to secure the interface board.
- If the slot cover is difficult to remove, insert the tip of a straight slot screwdriver between the right and left edges of the slot cover and the rear surface of the device to remove.

2) Install the interface board to the Multi Window Processor. (Fig. 2)

- Insert the interface board along the grooves of the empty slot, press the bracket, and push the board in until fully and securely inserted.

3) Secure the interface board. (Fig. 3)

- Tighten to secure with the two screws with toothed lock washers removed in Step 1).

Attention

- The removed slot cover will be required when removing an interface board that is no longer needed. Store it for installation at a later date.

Removing the interface board

1) Remove the interface board.

- Use a Phillips-head screwdriver to turn the two screws with toothed lock washers securing the interface board counterclockwise and remove. The removed screws with toothed lock washers will be used to secure the slot cover.
- If the interface board is difficult to remove, insert the tip of a straight slot screwdriver between the right and left edges of the bracket and the rear surface of the device to remove.

2) Attach the slot cover.

- Attach the stored slot cover, and tighten to secure with the two screws with toothed lock washers removed in Step1).
- To replace with another interface board, follow the procedure in "Installing the interface board".

Attention

- Make sure to attach a slot cover to empty slots.
- Place the removed interface board in an antistatic bag to store.

Specifications

The specifications of the interface board are as follows.

Power supply	Supplied from the Multi Window Processor
Compatible Multi Window Processor	ET-MWP100G

■ Interface Board for DVI-U 2input (Model No.: ET-MCYDV100)

Terminal	<DVI-U INPUT> terminal (DVI-U 29p) 2 sets Digital signal (DVI 1.0 compliant, HDCP compatible, single link only) RGB signal 0.7 V [p-p] 75 Ω (SYNC ON GREEN: 1.0 V [p-p] 75 Ω) HD/SYNC: TTL high impedance, automatic positive/negative polarity compatible VD: TTL high impedance, automatic positive/negative polarity compatible Y_{C_BC_R}/Y_{P_BP_R} signal Y: 1.0 V [p-p], including synchronization signal, C _B C _R /P _B P _R : 0.7 V [p-p] 75 Ω S-video signal Y: 1.0 V [p-p], C: 0.286 V [p-p] 75 Ω Video signal 1.0 V [p-p] 75 Ω	
	Dimensions	Width 97 mm (3-13/16") Height 21 mm (13/16") Depth 176 mm (6-15/16")
Weight	Approx. 107 g (3.8 ozs.)	

■ Interface Board for DVI-U 2output (Model No.: ET-MCQDV150)

Terminal	<DVI-U SCALED OUTPUT> terminal (DVI-U 29p) 2 sets Digital signal (DVI 1.0 compliant, HDCP compatible, single link only) RGB signal Y_{C_BC_R}/Y_{P_BP_R} signal	
	Dimensions	Width 97 mm (3-13/16") Height 21 mm (13/16") Depth 176 mm (6-15/16")
Weight	Approx. 140 g (4.9 ozs.)	

■ Interface Board for 3G-SDI 2input (Model No.: ET-MCYSD200)

Terminal	<3G-SDI INPUT> terminal (BNC) 2 sets 3G-SDI signal SMPTE ST 424 compliant HD-SDI signal SMPTE ST 292 compliant SD-SDI signal SMPTE ST 259 compliant	
	Dimensions	Width 97 mm (3-13/16") Height 21 mm (13/16") Depth 188 mm (7-13/32")
Weight	Approx. 106 g (3.7 ozs.)	

Specifications

■ Interface Board for HD/SD-SDI 4input (Model No.: ET-MCYSD210)

Terminal	<HD-SDI INPUT> terminal (BNC) 4 sets HD-SDI signal SMPTE ST 292 compliant SD-SDI signal SMPTE ST 259 compliant	
Dimensions	Width	97 mm (3-13/16")
	Height	21 mm (13/16")
	Depth	188 mm (7-13/32")
Weight	Approx. 122 g (4.3 ozs.)	

■ Interface Board for Digital Link 2output (Model No.: ET-MCQDL350)

Terminal	<DIGITAL LINK> terminal (RJ-45) 2 sets, for DIGITAL LINK connection, HDCP compatible <LAN> terminal (RJ-45) 1 set, for network connection, 10Base-T/100Base-TX	
Dimensions	Width	97 mm (3-13/16")
	Height	21 mm (13/16")
	Depth	170 mm (6-11/16")
Weight	Approx. 156 g (5.5 ozs.)	

Information on Disposal for Users of Waste Electrical & Electronic Equipment (private households)



This symbol on the products and/or accompanying documents means that used electrical and electronic products should not be mixed with general household waste.

For proper treatment, recovery and recycling, please take these products to designated collection points, where they will be accepted on a free of charge basis. Alternatively, in some countries you may be able to return your products to your local retailer upon the purchase of an equivalent new product.

Disposing of this product correctly will help to save valuable resources and prevent any potential negative effects on human health and the environment which could otherwise arise from inappropriate waste handling. Please contact your local authority for further details of your nearest designated collection point.

Penalties may be applicable for incorrect disposal of this waste, in accordance with national legislation.

For business users in the European Union

If you wish to discard electrical and electronic equipment, please contact your dealer or supplier for further information.

Information on Disposal in other Countries outside the European Union

This symbol is only valid in the European Union.

If you wish to discard this product, please contact your local authorities or dealer and ask for the correct method of disposal.

Environment care information for users in China



This symbol is only valid in China.

Panasonic Corporation

Web Site : <https://panasonic.net/cns/projector/>
© Panasonic Corporation 2013

W0613NK1109 -PJ
Printed in China