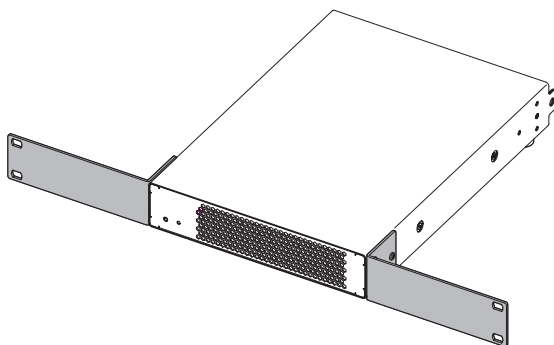


## Operating Instructions

Rack Mounting Kit **Commercial Use**

Model No. **ET-PKFMJ1**  
**ET-PKFMJ2**



The above illustration is an example combined with the FMP series.

### Read before use

This “Operating Instructions” is a manual for the brackets used to mount Panasonic Connect Co., Ltd. Media Processor (FMP series) on a rack. For installation instructions, please refer to the “Operating Instructions - Functional Manual” (available in English) for the FMP series.

To download the “Operating Instructions - Functional Manual” for the FMP series, visit the following website.

Pour télécharger le manuel d'utilisation de ce produit en français et le « Manuel d'utilisation - Manuel des fonctions » pour la série FMP, visitez le site Web suivant.

<https://panasonic.net/cns/projector/>



Thank you for purchasing this Panasonic product.

- Before using this product, please read these “Operating Instructions” and the “Operating Instructions - Functional Manual” for the FMP carefully and save the manuals for future use.
- **Before using this product, be sure to read “Read this first!”.**



## **WARNING:**

**Do not allow children to reach the supplied screws.**

Accidentally swallowing them can cause a physical harm.

- If swallowed, seek medical advice immediately.

## **CAUTION:**

**Disconnect all cables from the FMP and disconnect the power plug from the wall outlet before installation.**

Failure to do so may result in electric shock.

**Do not install in any way other than the specified method.**

Doing so may cause the FMP to fall or break, resulting in injury.

# About this product

## Intended use of the product

This product is a bracket used to attach the Panasonic Connect Co., Ltd. Media Processor (FMP series) to a 19-inch rack that complies with the EIA standards (ANSI/EIA-310-D).

<b>ET-PKFMJ1</b>	Used when mounting a single FMP series device onto a rack.
<b>ET-PKFMJ2</b>	Used when mounting two FMP series devices side-by-side onto a rack.

## Applicable device

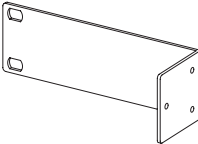

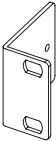
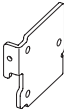


<b>Media Processor</b>	ET-FMP50 / ET-FMP20
------------------------	---------------------

## Note

- We may also support other products besides those mentioned above. Please refer to the operating instructions for your product or the following website for more information.  
<https://panasonic.net/cns/projector/>

## Components

Please confirm that the following components are included. The components may vary depending on the product.

<b>ET-PKFMJ1</b>	<b>Rack mounting bracket &lt;2 pcs&gt;</b> (TKZX5287)	
	<b>Screw (M3 × 6) &lt;6 pcs&gt;</b> (XYN3+F8FJK)	
<b>ET-PKFMJ2</b>	<b>Rack mounting bracket &lt;2 pcs&gt;</b> (DPMH2160ZA/X1)	
	<b>Connecting angle &lt;4 pcs&gt;</b> (DPMH2109ZA/X1)	
	<b>Connecting plate &lt;2 pcs&gt;</b> (DPMH2110ZA/X1)	
	<b>Screw (M3 × 6) &lt;22 pcs&gt;</b> (XYN3+F8FJK)	

## About this product (continued)

### Attention

- Store small parts in an appropriate manner, and keep them away from small children.

### Note

- The model numbers of components may be subject to change without prior notice.

### Specifications

<b>ET-PKFMJ1</b>	Total weight	Approx. 237 g (0.52 lbs.)
<b>ET-PKFMJ2</b>	Total weight	Approx. 207.8 g (0.46 lbs.)

---

**Panasonic Connect Co., Ltd.**

Web Site : <https://panasonic.net/cns/projector/>

© Panasonic Connect Co., Ltd. 2024