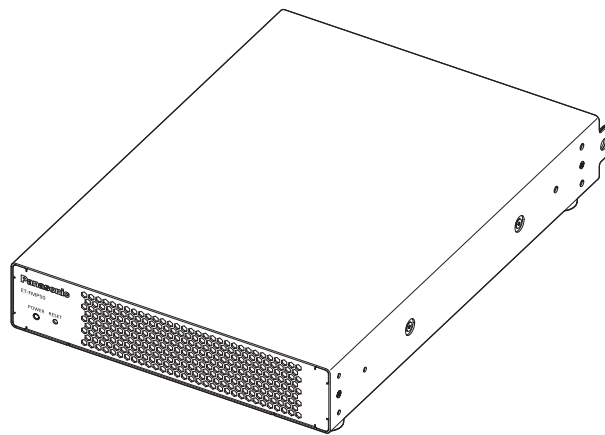


Panasonic®

Operating Instructions Functional Manual

Media Processor Commercial Use

Model No. **ET-FMP50**
ET-FMP20



Thank you for purchasing this Panasonic product.

- Before operating this product, please read the instructions carefully and save this manual for future use.
- Before using this product, be sure to read “Read this first!” (➡ pages 3 to 8).



HDMI™
HIGH-DEFINITION MULTIMEDIA INTERFACE

ENGLISH

DPQP1548ZA/X1

Contents

Read this first!	3	Chapter 5 Appendix	
Chapter 1 Getting Started		Maintenance	56
Precautions for use	12	Before maintenance.....	56
Intended use of the product.....	12	Maintenance.....	56
Cautions when transporting.....	12	Troubleshooting	57
Cautions when installing.....	12	About the Self-Diagnostics Display	58
Requests regarding security.....	13	Measures to take for errors and warnings.....	58
Applications supported by the device.....	13	Specifications	59
Storage.....	14	Dimensions.....	60
Disposal.....	14	Index	62
Accessories.....	14		
Optional accessories.....	14		
About your device	15		
Main body.....	15		
Chapter 2 Preparation			
Setting up	18		
Before setting up.....	18		
Usable outlet.....	18		
Mounting in a rack.....	18		
Installing in a high place.....	21		
Connecting	24		
Before connecting.....	24		
Connecting with external devices (example).....	24		
Chapter 3 Basic Operations			
Turning on/off the device	26		
Connecting the AC adapter.....	26		
Power indicator.....	29		
Chapter 4 Settings and Operation			
Using the web control function	31		
Supported computers.....	31		
Connection example.....	31		
Setup.....	33		
Accessing from the web browser.....	35		
[Status].....	37		
[Player].....	38		
[Language].....	43		
[System].....	44		
[Other].....	50		
Using the playback functions	53		
Performing scheduled playback.....	53		
Performing streaming playback.....	53		
Performing synchronized playback.....	54		

Read this first!

WARNING: THIS APPARATUS MUST BE EARTHED.

WARNING:

1. Remove the plug from the mains socket when this unit is not in use for a prolonged period of time.
2. To prevent electric shock, do not remove cover. No user serviceable parts inside. Refer servicing to qualified service personnel.
3. Do not remove the earthing pin on the mains plug. This apparatus is equipped with a three prong earthing-type mains plug. This plug will only fit an earthing-type mains socket. This is a safety feature. If you are unable to insert the plug into the mains socket, contact an electrician. Do not defeat the purpose of the earthing plug.

WARNING:

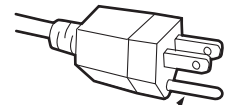
This equipment is compliant with Class A of CISPR32.
In a residential environment this equipment may cause radio interference.

CAUTION: To assure continued compliance, follow the attached installation instructions. This includes using the provided power cord and shielded interface cables when connecting to computer or peripheral devices. Also, any unauthorized changes or modifications to this equipment could void the user's authority to operate this device.

WARNING: TO REDUCE THE RISK OF FIRE OR ELECTRIC SHOCK, DO NOT EXPOSE THIS PRODUCT TO RAIN OR MOISTURE.

CAUTION

This equipment is equipped with a three-pin grounding-type power plug. Do not remove the grounding pin on the power plug. This plug will only fit a grounding-type power outlet. This is a safety feature. If you are unable to insert the plug into the outlet, contact an electrician. Do not defeat the purpose of the grounding plug.



Do not remove

WARNING (USA and Canada)

- Not for use in a computer room as defined in the Standard for the Protection of Electronic Computer/Data Processing Equipment, ANSI/NFPA 75.
- For permanently connected equipment, a readily accessible disconnect device shall be incorporated in the building installation wiring.
- For pluggable equipment, the socket-outlet shall be installed near the equipment and shall be easily accessible.

NOTIFICATION (Canada)

This class A digital apparatus complies with Canadian ICES-003.

For USA-California Only

This product contains a CR Coin Cell Lithium Battery which contains Perchlorate Material – special handling may apply.

See www.dtsc.ca.gov/hazardouswaste/perchlorate

WARNING

THIS PRODUCT CONTAINS A COIN BATTERY



- INGESTION HAZARD: This product contains a button cell or coin battery.
- DEATH or serious injury can occur in 2 hours or less if swallowed or placed inside any part of the body.
- The battery is hazardous, KEEP new and used batteries OUT OF REACH of CHILDREN
- Seek immediate medical attention if a battery is suspected to be swallowed or inserted inside any part of the body.

FCC NOTICE (USA)

Supplier's Declaration of Conformity

Model Number: ET-FMP50 / ET-FMP20
Trade Name: Panasonic
Responsible Party: Panasonic Corporation of North America
Address: Two Riverfront Plaza, Newark, NJ 07102-5490
General Contact: <http://www.panasonic.com/support>
Projector Contact: 855-772-8324 or projectorsupport@us.panasonic.com

This device complies with Part 15 of the FCC Rules.

Operation is subject to the following two conditions:

(1) This device may not cause harmful interference, and (2) this device must accept any interference received, including interference that may cause undesired operation.

Caution:

This equipment has been tested and found to comply with the limits for a Class A digital device, pursuant to part 15 of the FCC Rules. These limits are designed to provide reasonable protection against harmful interference when the equipment is operated in a commercial environment. This equipment generates, uses, and can radiate radio frequency energy and, if not installed and used in accordance with the instruction manual, may cause harmful interference to radio communications. Operation of this equipment in a residential area is likely to cause harmful interference in which case the user will be required to correct the interference at his own expense.

FCC Warning:

To assure continued compliance, follow the attached installation instructions. This includes using the provided power cord and shielded interface cables when connecting to computer or peripheral devices. Also, any unauthorized changes or modifications to this equipment could void the user's authority to operate this device.

IMPORTANT: THE MOULDED PLUG

FOR YOUR SAFETY, PLEASE READ THE FOLLOWING TEXT CAREFULLY.

This appliance is supplied with a moulded three pin mains plug for your safety and convenience. A 13 amp fuse is fitted in this plug. Should the fuse need to be replaced, please ensure that the replacement fuse has a rating of 13 amps and that it is approved by ASTA or BSI to BS1362.

Check for the ASTA mark  or the BSI mark  on the body of the fuse.

If the plug contains a removable fuse cover, you must ensure that it is refitted when the fuse is replaced. If you lose the fuse cover, the plug must not be used until a replacement cover is obtained. A replacement fuse cover can be purchased from an Authorized Service Center.

If the fitted moulded plug is unsuitable for the mains socket in your home, then the fuse should be removed and the plug cut off and disposed of safely. There is a danger of severe electrical shock if the cut off plug is inserted into any 13 amp socket.

If a new plug is to be fitted, please observe the wiring code as shown below.

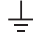
If in any doubt, please consult a qualified electrician.

WARNING: THIS APPLIANCE MUST BE EARTHED.

IMPORTANT: The wires in this mains lead are colored in accordance with the following code:

Green - and - Yellow: Earth
Blue: Neutral
Brown: Live

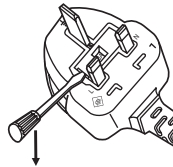
As the colors of the wire in the mains lead of this appliance may not correspond with the colored markings identifying the terminals in your plug, proceed as follows.

The wire which is colored GREEN - AND - YELLOW must be connected to the terminal in the plug which is marked with the letter E or by the Earth symbol  or colored GREEN or GREEN - AND - YELLOW.

The wire which is colored BLUE must be connected to the terminal in the plug which is marked with the letter N or colored BLACK.

The wire which is colored BROWN must be connected to the terminal in the plug which is marked with the letter L or colored RED.

How to replace the fuse: Open the fuse compartment with a screwdriver and replace the fuse.



WARNING:

■ **POWER**

The wall outlet or the circuit breaker shall be installed near the equipment and shall be easily accessible when problems occur. If the following problems occur, cut off the power supply immediately.

Continued use of the device in these conditions will result in fire or electric shock.

- If foreign objects or water get inside the device, cut off the power supply.
- If the device is dropped or the cabinet is broken, cut off the power supply.
- If you notice smoke, strange smells or noise coming from the device, cut off the power supply.

Please contact an Authorized Service Center for repairs, and do not attempt to repair the device yourself.

During a thunderstorm, do not touch the device, power cord, power plug, power connector or AC adapter.

Electric shocks can result.

Do not do anything that might damage the power cord, power plug, power connector or AC adapter.

If the power cord is used while damaged, electric shocks, short-circuits or fire will result.

- Do not damage the power cord, make any modifications to it, place it near any hot objects, bend it excessively, twist it, pull it, place heavy objects on top of it or wrap it into a bundle.

Ask an Authorized Service Center to carry out any repairs to the power cord or AC adapter that might be necessary.

Do not use anything other than the provided AC adapter or power cord.

Failure to observe this will result in electric shocks or fire. Please note that if you do not use the provided power cord to ground the device on the side of the outlet, this may result in electric shocks.

Completely insert the power plug into the wall outlet, the power connector into the AC adapter terminal, and the AC adapter plug into the device terminal.

If the plug is not inserted correctly, electric shocks or overheating will result.

- Do not use plugs which are damaged or wall outlets which are coming loose from the wall.

Do not handle the power plug, power connector or AC adapter with wet hands.

Failure to observe this will result in electric shocks.

Do not overload the wall outlet.

If the power supply is overloaded (ex., by using too many adapters), overheating may occur and fire will result.

Clean the power plug regularly to prevent it from becoming covered in dust.

Failure to observe this will cause a fire.

- If dust builds up on the power plug, the resulting humidity can damage the insulation.
- If not using the device for an extended period of time, pull the power plug out from the wall outlet.

Pull the power plug out from the wall outlet and wipe it with a dry cloth regularly.

WARNING:

■ **ON USE/INSTALLATION**

Do not place the device on soft materials such as carpets or sponge mats.

Doing so will cause the device to overheat, which can cause burns, fire or damage to the device.

Do not set up the device in humid or dusty places or in places where the device may come into contact with oily smoke or steam.

Using the device under such conditions will result in fire or electric shocks.

Do not install this device in a place which is not strong enough to take the full weight of the device or on top of a surface which is sloped or unstable.

Failure to observe this will cause the device to fall down or tip over the device, and severe injury or damage could result.

Do not block air intake and exhaust.

Failure to observe this will cause the device to overheat, which can cause fire or damage to the device.

- Do not cover the intake/exhaust vents with cloth or papers, as these materials could be drawn into the intake vent.

Do not cover the AC adapter with cloth or papers.

Failure to observe this will cause the device to overheat, which can cause fire or damage to the AC adapter.

- Do not cover the AC adapter with cloth or papers that hinders heat dissipation.

Do not handle the device and/or AC adapter for extended lengths of time.

Parts of the device and/or AC adapter may become hot and cause low temperature burns*1 if handled for an extended length of time.

*1 Persons who suffer from blood complications (such as vascular diseases, diabetes, poor/restricted circulation) or with poor skin sensitivity (the elderly) are especially susceptible to low temperature burns.

Never attempt to remodel or disassemble the device.

High voltages can cause fire or electric shocks.

- For any inspection, adjustment and repair work, please contact an Authorized Service Center.

Do not allow metal objects, flammable objects, or liquids to enter inside of the device. Do not allow the device to get wet.

Doing so may cause short circuits or overheating, and result in fire, electric shock, or malfunction of the device.

- Do not place containers of liquid or metal objects near the device.
- If liquid enters inside of the device, consult your dealer.
- Particular attention must be paid to children.

Installation work, such as mounting the device in a high place, should only be carried out by a qualified technician.

If the installation work is not carried out correctly, the device could fall and cause injury or accidents.

- Please take measures for fall prevention using commercially available fall prevention wire ropes.

■ **ACCESSORIES**

Do not allow children to reach screw.

Accidentally swallowing them can cause physical harm.

- If swallowed, seek medical advice immediately.

CAUTION:

■ POWER

When disconnecting the power cord, be sure to hold the power plug and power connector.

If the power cord itself is pulled, the lead will become damaged, and fire, short-circuits or serious electric shocks will result.

When not using the device for an extended period of time, disconnect the power plug from the wall outlet.

Failure to do so may result in fire or electric shock.

Disconnect the power plug from the wall outlet before performing maintenance.

Failure to do so may result in electric shock.

■ ON USE/INSTALLATION

Do not place heavy objects on top of the device and the AC adapter.

Failure to observe this will cause the device to become unbalanced and fall, which could result in damage or injury. The device and the AC adapter will be damaged or deformed.

Do not put your weight on the device and the AC adapter.

You could fall or the device could break, and injury will result.

- Be especially careful not to let young children stand or sit on the device or the AC adapter.

Do not place the device in extremely hot locations.

Doing so will cause the outer casing or internal components to deteriorate, or result in fire.

- Take particular care in locations exposed to direct sunlight or near heaters.

Do not install this device in a place which is not strong enough to take its full weight or on top of a surface which is sloped or unstable.

Failure to observe this will cause the device to fall down or tip over the device, and severe injury or damage could result.

Always disconnect all cables before moving the device.

Moving the device with cables still attached can damage the cables, which will cause fire or electric shocks to occur.

■ ACCESSORIES

Do not subject the AC adapter to strong impact.

The adapter being dropped, or suffering any other strong impact may cause a short circuit, fire or electric shock.

- Ask an Authorized Service Center to carry out repairs to the AC adapter.

Safety symbols

The symbols on this product (including the accessories) represent the following.

~ Alternating Current

— Direct Current

⊕ ⊖ Polarity of <DC IN> terminal

Rating label

The rating label is affixed to the bottom of this device.

■ Trademarks

- The terms HDMI and HDMI High-Definition Multimedia Interface and the HDMI trade dress and HDMI logo are trademarks or registered trademarks of HDMI Licensing Administrator, Inc.
- NDI is a registered trademark of NewTek, Inc. in the United States and/or other countries.
- Windows and Microsoft Edge are registered trademarks or trademarks of Microsoft Corporation in the United States and/or other countries.
- Mac, macOS, Safari, and iPhone are trademarks of Apple Inc., registered in the United States and other countries.
- IOS is a trademark or registered trademark of Cisco in the U.S. and other countries and is used under license.
- Android and Google Chrome are trademarks of Google LLC.
- Adobe, Acrobat, and Adobe Reader are either registered trademarks or trademarks of Adobe in the United States and/or other countries.
- All other names, company names, and product names mentioned in this manual are trademarks or registered trademarks of their respective owners.

Please note that the ® and TM symbols are not specified in this manual.

Software information regarding this product

This product incorporates the following types of software:

- (1) Software developed independently by Panasonic Connect Co., Ltd.
- (2) Software owned by a third party and licensed to Panasonic Connect Co., Ltd.
- (3) Software licensed under the GNU General Public License version 2.0 (GPL V2.0)
- (4) Software licensed under the GNU General Public License version 3.0 (GPL V3.0)
- (5) Software licensed under the GNU Lesser General Public License version 2.1 (LGPL V2.1)
- (6) Open-source software other than the software licensed under the GPL V2.0, GPL V3.0 and/or LGPL V2.1

Software categorized as (3) to (6) above is distributed in the hope that it will be useful, but WITHOUT ANY WARRANTY, including without even the implied warranty of MERCHANTABILITY or FITNESS FOR A PARTICULAR PURPOSE. For details, refer to the license terms and conditions for the respective open-source software.

The open-source software licenses are contained in the firmware of this product, and can be downloaded by accessing the device using a Web browser. For details, refer to “Using the web control function” (➡ page 31).

For at least three (3) years from delivery of this product, Panasonic Connect Co., Ltd. will give to any third party who contacts us at the contact information provided below, for a charge no more than our cost of physically performing source code distribution, a complete machine-readable copy of the corresponding source code covered under GPL V2.0, GPL V3.0, LGPL V2.1, or the other licenses with the obligation to do so, as well as the respective copyright notice thereof.

Contact Information: oss-cd-request@gg.jp.panasonic.com

■ Illustrations in this manual

- Illustrations of the media processor, etc. may be different from the actual product.
- The items actually displayed on the computer screen may differ depending on the model of your computer and its operating system and Web browser.

■ Reference pages

- Reference pages in this manual are indicated as (➡ page 00).

Features of the device

Screen adjustment functions

- ▶ Centrally generating images that have been pre-corrected for geometric distortion occurring on the screen and images that have undergone edge blending adjustments in the device*¹ and then transmitting them to multiple projectors individually enables seamless multi-screen display to be achieved without having to use the similar functions available on each projector.
- ▶ Geometric distortion, edge blending, and other screen adjustments can be performed automatically by importing the projected images of multiple projectors into a camera*¹.

*¹ To set correction and adjustment and perform automatic adjustment in conjunction with a camera, use the "Geometry Manager Pro for FMP series" application software. To download "Geometry Manager Pro for FMP series" and for details on the supported cameras, log in to PASS on the following website and visit the download page for the software.
<https://panasonic.net/cns/projector/pass/>

Various playback functions

- ▶ Functions are included to play back still image and movie content saved to the internal storage according to schedules that you have created*². In addition, there is support for NDI, an IP transfer method, so video can be played back via a LAN.
- ▶ The device is equipped with four HDMI output terminals, and you can select either one output or four outputs to transmit images.

*² To register content and create schedules, use the "Content Management Software for FMP series" application software. To download "Content Management Software for FMP series", log in to PASS on the following website and visit the download page for the software.
<https://panasonic.net/cns/projector/pass/>

Highly flexible setup

- ▶ A lightweight and compact 1U half-rack size*³ suitable for installation on a truss or integration into a rack has been achieved.
* This is the size when the feet are removed.

*³ When the rubber feet are removed from the bottom

Chapter 1 Getting Started

This chapter describes things you need to know or check before using this device.

Precautions for use

Intended use of the product

This device is intended to play back video content without using a computer to transmit its video and audio signals to a projector.

Cautions when transporting

- When transporting this device, avoid excessive vibration and impacts. Failure to do so may cause damage to internal components and result in malfunctions.

Cautions when installing

■ Do not set up the device outdoors.

The device is designed for indoor use only.

■ Do not set up the device in the following locations.

- Location where vibrations and impacts occur such as in a vehicle or ship: This may cause damage to internal components or malfunction.
- Location close to the sea or where corrosive gas is generated: This may affect the life of the components or cause a malfunction.
- Near high-voltage power lines or power sources: This may interfere with the operation of the device.

■ Be sure to ask a specialized technician or your dealer to perform the installation work when, for example, installing the device in a high place.

To ensure safety when installing the device in a high place, be sure to ask a specialized technician or your dealer to perform the installation work.

■ Do not install the device at elevations of 4 200 m (13 780') or higher above sea level (4 200 m (13 780') above sea level is the altitude limit at which the performance of the device can be maintained).

■ Do not use the device in a location where the ambient temperature exceeds 40 °C (104 °F).

Using the device in a location where the altitude is too high or the ambient temperature is too high may affect the life of the components or cause a malfunction.

The operating temperature range of the device is 0 °C (32 °F) to 40 °C (104 °F).

■ Do not block the air intake or exhaust vent of the device, or use the device in a condition that will disrupt the air intake/exhaust.

Allowing the temperature inside the device to become too high may affect the life of the components or cause a malfunction. Leave a space of at least 200 mm (7-7/8") from each of the air intake vent on the front panel and air exhaust vent on the rear panel.

If you are installing the device in an environment where the temperature will tend to rise, such as in an enclosed space, provide air conditioning equipment and ventilation equipment separately. If the ventilation is insufficient, the protection circuit of the device may activate due to the accumulation of exhaust heat.

■ Always install the device with the bottom side facing down.

■ Do not install three or more devices stacked on top of each other.

Installing the device with the top or side facing down or installing three or more devices stacked on top of each other may affect the life of the components or cause a malfunction.

■ **Try as much as possible to not use the device in a location where static electricity is frequently generated.**

If the device is used in a location where static electricity or noise is frequently generated, communications via a wired LAN may be interrupted. In rare cases, a LAN connection will become unable to be established due to static electricity or noise. In such a case, remove the power plug from the outlet, remove the static electricity or noise source causing the problem, and then reinsert the power plug into the outlet.

■ **Remove products that are no longer being used as soon as possible.**

Please note that Panasonic Connect Co., Ltd. assumes no responsibility, even during the warranty period, for any product damage or other trouble due to a problem with the installation environment.

If you or a third party mishandles this device or if the device is affected by static electricity or noise, etc., the data stored in the device may change or be lost, so please read the precautions in "Precautions for use" (➔ page 12).

Requests regarding security

When using this product, you may be subjected to the following kinds of damage.

- Personal information being leaked via this product
- Unauthorized operation of this product by a malicious third party
- Interfering or stopping of this product by a malicious third party

Take sufficient security measures.

- Make your password as difficult to guess as possible.
- Change your password periodically.
- Note that Panasonic Connect Co., Ltd. or its affiliate companies will never ask for your password directly. Do not divulge your password in the event that you receive such any inquiry.
- Use this product on a secure network protected by a firewall and other security settings.

Applications supported by the device

This device supports the following application software.

- Multi Monitoring & Control Software
This is application software to monitor and control multiple displays (projectors and flat panel displays) and other devices connected to an intranet.
- Content Management Software for FMP series
This is application software to create the schedule data required for content playback using the Panasonic Connect Media Player FMP series on a computer.
- Geometry Manager Pro for FMP series
This is application software to generate images that have been pre-corrected for geometric distortion occurring on the screen and images that have undergone edge blending adjustments in the Panasonic Connect Media Player FMP series. Using this application software together with the FMP series enables seamless multi-screen display without having to use the geometric distortion functions and edge blending functions available on each projector.

For details and downloading of "Multi Monitoring & Control Software", visit the following website.

<https://panasonic.net/cns/projector/>

"Content Management Software for FMP series" and "Geometry Manager Pro for FMP series" can be downloaded from the following "Panasonic Professional Display and Projector Technical Support Website".

<https://panasonic.net/cns/projector/pass/>

Note that you need to register and log in to PASS*1 to download from "Panasonic Professional Display and Projector Technical Support Website".

*1 PASS: Panasonic Professional Display and Projector Technical Support Website

Storage

When storing the device, store it in a dry room.

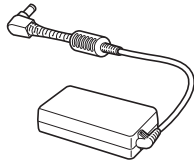
Disposal

To dispose of the product, ask your local authorities or dealer for correct methods of disposal.

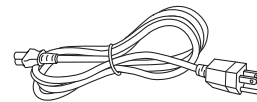
Accessories

Make sure that the following accessories are provided with your device. Numbers enclosed in < > show the number of accessories.

AC adapter <1>
(CF-AA5713A)

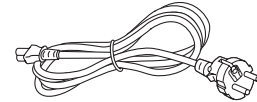
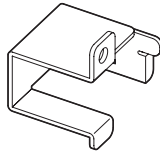


Power cord <3>
(K2CG3YY00152)



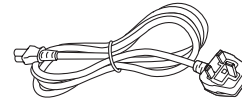
(K2CM3YY00034)

AC adapter securing bracket <1>
(DPMH2161ZA/X1)



(K2CT3YY00066)

Screw (M3x6) <1>
(XYN3+F8FJK)



Attention

- After unpacking the device, dispose of the power cord cap and packaging material properly.
- Do not use the provided AC adapter and power cord on any other devices other than this device.
- For missing accessories, consult your dealer.
- Store small parts in an appropriate manner, and keep them away from small children.

Note

- The model numbers of accessories are subject to change without prior notice.

Optional accessories

Optional accessories (product name)	Model No.	Application
Rack Mounting Kit	ET-PKFMJ1	Used to mount one device in a rack.
Rack Mounting Kit	ET-PKFMJ2	Used to mount two devices connected horizontally in a rack.

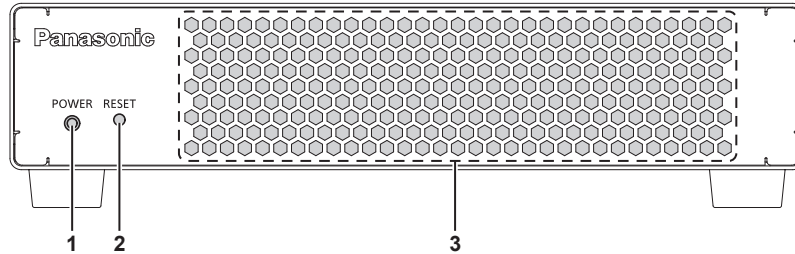
Note

- The model numbers of optional accessories are subject to change without prior notice.

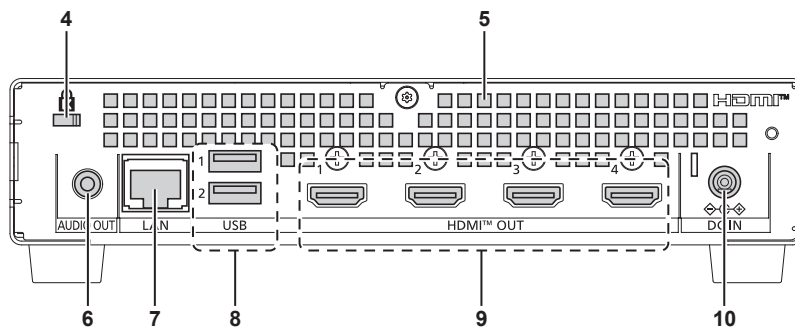
About your device

Main body

■ Front



■ Rear



1 Power indicator <POWER>

Indicates the status of the device.

2 <RESET> button

This button initializes the network settings.
If you press and hold the button, the settings of [System] menu
→ [Network] page are initialized and the device restarts.

3 Air intake vent

4 Security slot

This security slot is compatible with Kensington security cables.

5 Air exhaust vent

6 <AUDIO OUT> terminal

This terminal is for outputting audio signals.

7 <LAN> terminal

This terminal is for connecting to a network.

8 <USB> terminals

These terminals are not used with this device.

9 <HDMI OUT 1> terminal / <HDMI OUT 2> terminal /

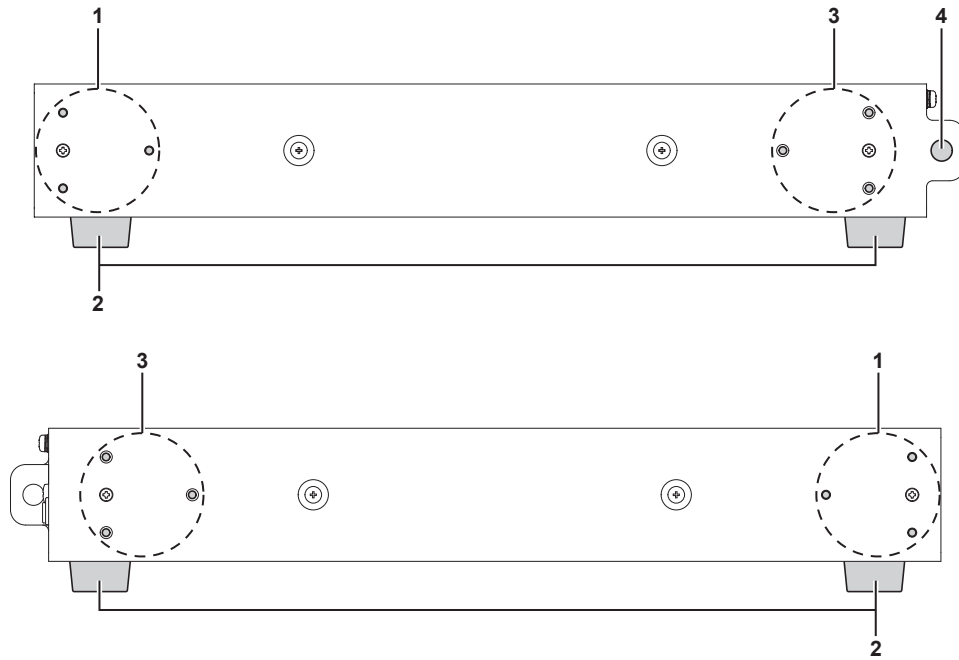
<HDMI OUT 3> terminal / <HDMI OUT 4> terminal

These terminals are for outputting HDMI signals.

10 <DC IN> terminal

Connect the supplied AC adapter.

■ Sides



1 Rack mounting bracket attachment position

Use these three screw holes to mount the device to a rack.

(➔ page 19)

Also use them to connect two devices horizontally.

(➔ page 20)

2 Rubber feet

3 Connection angle bracket attachment position

Use these three screw holes to connect two devices horizontally. (➔ page 20)

4 Wire attachment hole

This hole is for attaching a commercially available drop prevention wire. (➔ page 23)

You can also connect a theft prevention wire, padlock, etc.

Attention

- The LAN cable connected directly to this device must be indoors only.

Chapter 2 Preparation

This chapter describes things you need to do before using this device, such as the setup and connections.

Setting up

Before setting up

- When setting up the device, do so while the AC adapter and external devices are disconnected.
- Be sure to fix the cables and supplied AC adapter to be connected to the device to the rack, truss, etc. so that the weight of the cables and AC adapter will not be directly applied to the device.
- Do not block the air intake or exhaust vent of the device, or use the device in a condition that will disrupt the air intake/exhaust.

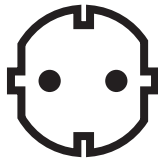
Usable outlet

This device supports AC 100 V to AC 240 V as the power supply. A grounding outlet supporting 15 A/16 A is required with either voltage.

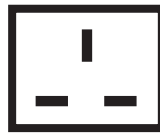
The shape of the usable outlet differs depending on the power supply. Following illustrations are examples.



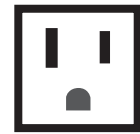
2P/3W 16 A 250 V



2P/3W 16 A 250 V



2P/3W 15 A 250 V



2P/3W 15 A 125 V

Attention

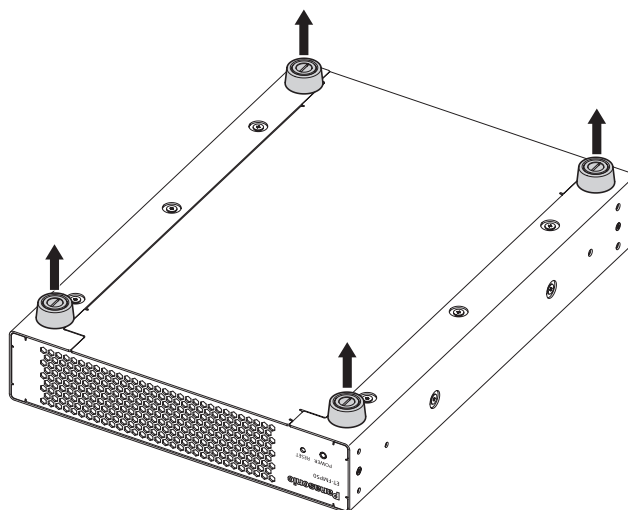
- Use the supplied power cord and ground at the outlet.
- Use the power cord matching the used power supply voltage and outlet shape.

Mounting in a rack

This device can be mounted in a rack compliant with the ANSI/EIA-310-D standard.

Removing the rubber feet

When mounting the device on a shelf with a height of 1 U (44.45 mm (1-3/4")), turn the screws of rubber feet (4 places) on the bottom of the device counterclockwise with an M3 flat-bladed screwdriver to loosen them, and then remove the rubber feet.



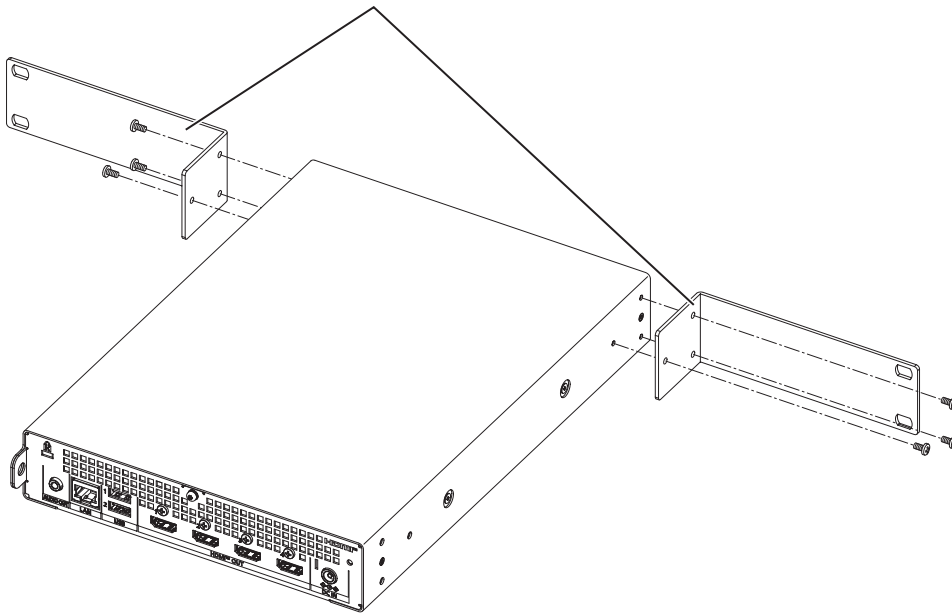
Attention

- When turning the device upside down, handle it with care to prevent dropping or tipping over.
- Store the removed rubber feet appropriately so as not to lose them.

Mounting one device

When mounting one device in a rack, use a separately sold Rack Mounting Kit (model no.: ET-PKFMJ1).

Rack mounting brackets



1) Attach the rack mounting brackets.

- Attach the rack mounting brackets of the Rack Mounting Kit (model no.: ET-PKFMJ1) to the rack mounting bracket attachment positions on the left and right sides of the device.
- Securely fix them in place with a Phillips screwdriver using the 6 supplied screws (M3x6) of the Rack Mounting Kit (model no.: ET-PKFMJ1).

2) Mount the device to the rack.

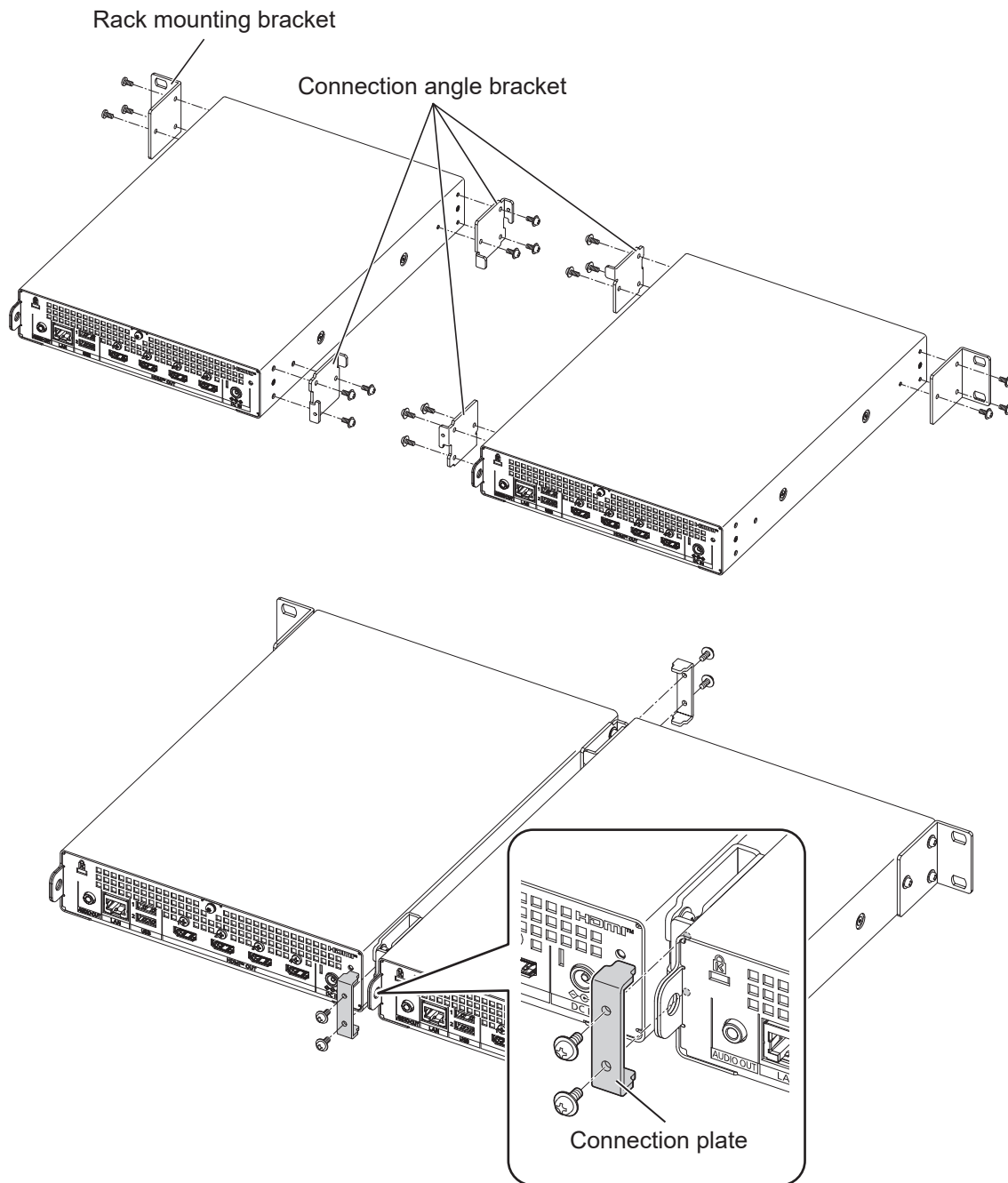
- Mount the device in the rack using the method specified for the rack.
- Securely fix the device to the rack using the rack mounting screws (4) supplied with or specified for the rack.

Attention

- When performing the work to mount the device in the rack, take care that the device does not slip and fall.
- Ensure that the temperature inside the rack with the device mounted will not exceed 40 °C (104 °F).
- Install the device as far as possible away from equipment with excessive heat emission (such as a power amplifier) by, for example, installing it in a lower position. If equipment with excessive heat emission is to be installed one above the other by necessity, install the device with a space of 1 U (44.45 mm (1-3/4")) or more.
- Install the device so that it will not interfere with the heat dissipation of the AC adapter.

Mounting two devices

When mounting two devices connected horizontally in a rack, use a separately sold Rack Mounting Kit (model no.: ET-PKFMJ2).



1) Attach the rack mounting bracket.

- Attach a rack mounting bracket (1) of the Rack Mounting Kit (model no.: ET-PKFMJ2) to a rack mounting bracket attachment position on a side of the device.
- Securely fix them in place with a Phillips screwdriver using the 3 supplied screws (M3x6) of the Rack Mounting Kit (model no.: ET-PKFMJ2).

2) Attach the connection angle brackets.

- Attach the connection angle brackets (2) of the Rack Mounting Kit (model no.: ET-PKFMJ2) to the rack mounting bracket attachment and connection angle bracket attachment positions on the side opposite to the side to which you attached the rack mounting bracket in step 1).
- Securely fix them in place with a Phillips screwdriver using the 6 supplied screws (M3x6) of the Rack Mounting Kit (model no.: ET-PKFMJ2).

3) Attach the brackets to the second device.

- In the same way as for the first device, attach the rack mounting bracket (1) and connection angle brackets (2) to the side opposite that of each of step 1) and step 2).
- Securely fix them in place with a Phillips screwdriver using the 9 supplied screws (M3x6) of the Rack Mounting Kit (model no.: ET-PKFMJ2).

4) Connect the two devices.

- Align the first and second devices horizontally, and then attach the connection plates (2) to each of their connection angle brackets (2 places) that are combined together.
- Securely fix them in place with a Phillips screwdriver using the 4 supplied screws (M3x6) of the Rack Mounting Kit (model no.: ET-PKFMJ2).

5) Mount the devices in a rack

- Mount the connected together devices in the rack using the method specified for the rack.
- Securely fix the devices to the rack using the rack mounting screws (4) supplied with or specified for the rack.

Attention

- When performing the work to mount the devices in the rack, take care that the devices do not slip and fall.
- Ensure that the temperature inside the rack with the devices mounted will not exceed 40 °C (104 °F).
- Install the devices as far as possible away from equipment with excessive heat emission (such as a power amplifier) by, for example, installing them in a lower position. If equipment with excessive heat emission is to be installed one above the other by necessity, install the devices with a space of 1 U (44.45 mm (1-3/4")) or more.
- Install the devices so that they will not interfere with the heat dissipation of the AC adapters.
- Do not lay the AC adapters of multiple devices on top of each other, such as by binding them together in one place.

Installing in a high place

When installing the device in a high place, such as attaching it to a truss, be sure to take the following fall prevention measures to prevent an accident from occurring due to falling.

- Fix the device to the installation location.
- Attach a drop prevention wire to the device.
- Fix the AC adapter,

With regard to the method of fixing the device to the installation location and details on the drop prevention wire, refer to the example shown below, and make the preparations yourself.

Attention

- When tightening the screws in the rack mounting bracket attachment positions on the left and right sides of the device, use a torque driver to tighten them to a torque within the specified range. Do not use an electric screwdriver or impact screwdriver. (Screw tightening torque: 70 ± 0.5 N/m)
- In the case of long term installation, check for screw looseness, part detachment, and other problems regularly.
- Fix the device so that it will not interfere with the heat dissipation of the AC adapter.
- Do not lay the AC adapters of multiple devices on top of each other, such as by binding them together in one place.

Fixing to the installation location

When installing the device in a high place, securely fix it to the truss or other installation location.

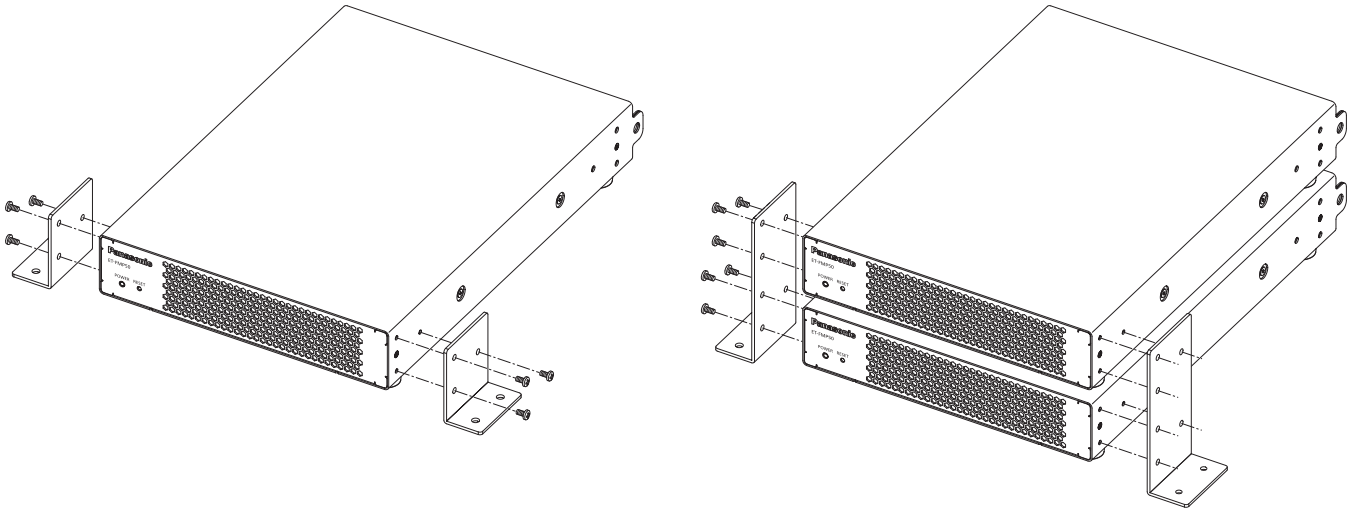
When preparing L-shaped brackets to fix the device in place, attach the brackets to the device as follows.

■ Brackets (example)

Acquire the L-shaped brackets to attach to the device and screws to fix the L-shaped brackets to the device yourself.

L-shaped bracket	Plate thickness	2 mm or more
	Quantity	2
Screws to fix L-shaped brackets to device	Size designation	M3
	Length	Considering the plate thickness of the L-shaped brackets, select screws of a suitable length to ensure thread engagement of 3 mm to 6 mm from the device side surfaces. We recommend using captive washer screws or similar screws to prevent the screws from loosening after installation.
	Quantity	To attach and fix the L-shaped brackets to the device, use 3 per bracket attachment position.

■ How to attach brackets (example)



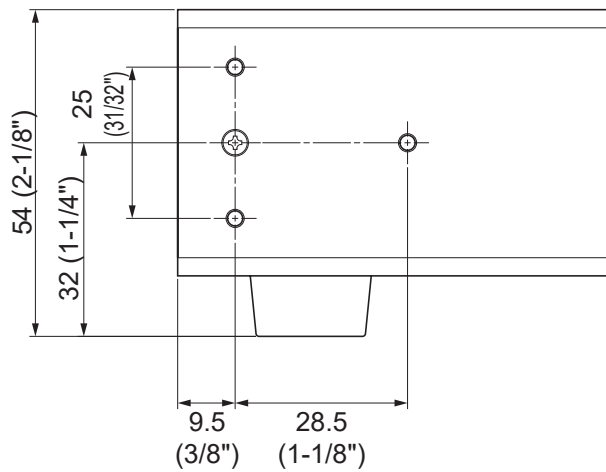
1) Attach the L-shaped brackets.

- Attach the acquired L-shaped brackets to the rack mounting bracket attachment positions on the left and right sides of the device.
- Use the acquired M3 screws (3 per bracket attachment position) to securely fix the L-shaped brackets to the device.

■ Screw hole position dimensions

The hole dimensions of the rack mounting bracket attachment positions on the left and right sides of the device with the L-shaped brackets to be attached are as follows.

Unit: mm



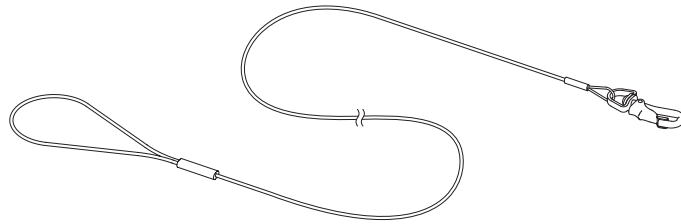
Attaching a drop prevention wire

When installing a device in a high place, such as attaching it to a truss, be sure to attach a commercially available drop prevention wire.

■ Drop prevention wire

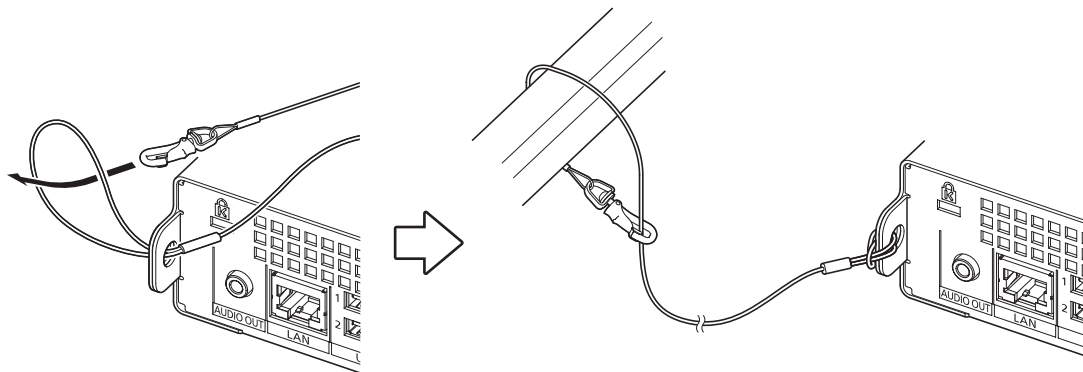
Acquire a drop prevention wire capable of preventing the dropping of this product (including the AC adapter) yourself.

Diameter	1.6 mm or more 2.0 mm or less	Select a wire with a diameter that allows it to be easily passed through the wire attachment hole (diameter 7.0 mm (9/32")) of the device.
Length	600 mm (23-5/8") or less	Consider a length that will prevent the device and other equipment hitting a person's head or other body part in the event of falling.



■ Attaching a wire (example)

Securely attach one end of the drop prevention wire to the wire attachment hole of the device, and the other end to a sturdy place such as a truss.

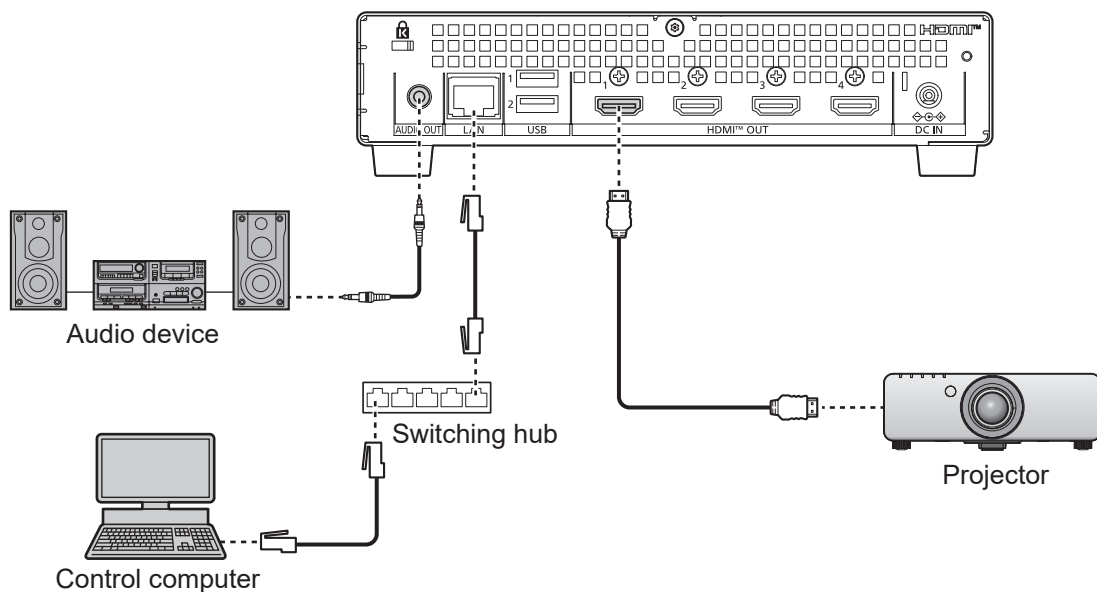


Connecting

Before connecting

- Before connecting, carefully read the operating instructions of the external devices to be connected with this device.
- Turn off the power of all devices before connecting cables.
- Take note of the following points before connecting the cables. Failure to do so may cause a malfunction.
 - When connecting a cable to this device or to an external device to be connected with this device, touch a nearby metal object to discharge the static from your body before holding the cable.
 - Do not use an unnecessarily long cable to connect this device and a device to be connected with this device. The longer the cable, the more susceptible to the influence of noise it becomes. Since using a cable while it is wound makes it act like an antenna, it will become more susceptible to the influence of noise.
 - When connecting a cable, insert the connector into the connection terminal of the device to be connected while keeping it straight so that the GND is connected first.
- If the connection cables necessary for system connection are not supplied as accessories with each device or are not available as options, acquire cables that are compatible with the devices to be connected.
- The video output signals from this device may become unable to be displayed depending on the projector that is connected. Check the specifications of the projector to be used and the settings of [Player] → [Settings] page on the Web control screen of the device. For details on the settings of this device, refer to “Using the web control function” (➔ page 31).

Connecting with external devices (example)



Attention

- When connecting this device to a projector, computer, or other external device, use the power cord supplied with the respective device and a commercially available shielded cable.

Note

- For an HDMI cable, use an HDMI high speed cable that conforms to HDMI standards. However, when outputting a 4K video signal of 3 840 x 2 160/60p or 3 840 x 2 160/50p from the <HDMI OUT 1> terminal, use an HDMI cable that supports the high speed transmission of 18 Gbps, such as one that has acquired Premium HDMI Cable Certification. If a video signal exceeding the transmission speed supported by the HDMI cable used is input, images may be interrupted or not projected, or normal operation may otherwise not be possible.
- This device does not support VIERA Link (HDMI) and HDMI CEC (Consumer Electronics Control).

Chapter 3 Basic Operations

This chapter describes basic operations to start with.

Turning on/off the device

This device does not have a power switch. When you connect the AC adapter to the device and connect the power cord to the outlet, power is supplied to the unit and operation starts.

When you have finished using the device, remove the power plug from the outlet. Or, stop the power supply to the outlet.

You can check the operating status of the device from the power indicator <POWER>. For details on the indication of the power indicator <POWER>, refer to “Power indicator” (➔ page 29).

For detailed handling of the AC adapter and the power cord, refer to “Read this first!” (➔ page 3).

For details on the settings of this device, refer to “Using the web control function” (➔ page 31).

Note

- The OS of the device starts up after the power is turned on. Video signal output and network functions are not available for approximately 1 minute until the OS startup completes. After supplying power, wait until the OS startup completes and the device is operating.
- If an audio system is used by connecting to the <AUDIO OUT> terminal, a noise may sound from the external audio system when the power of the device is turned off/on. In this case, turn off/on the device while the sound system is turned off.

Connecting the AC adapter

Attaching procedure

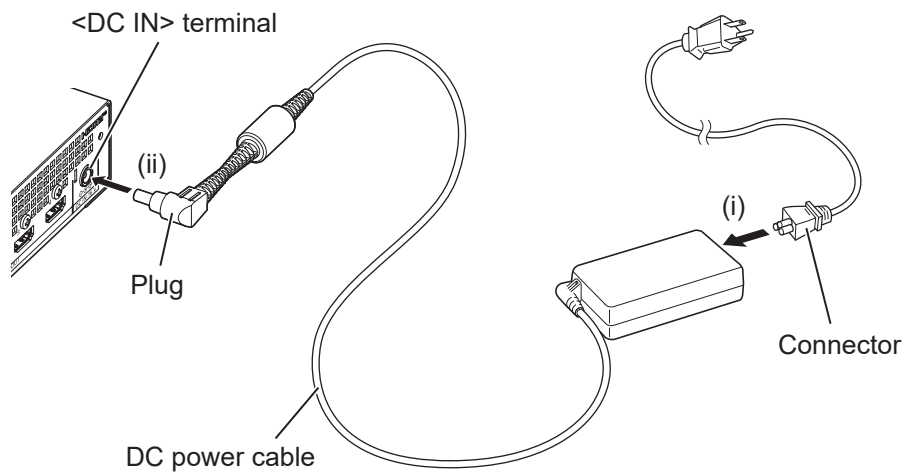
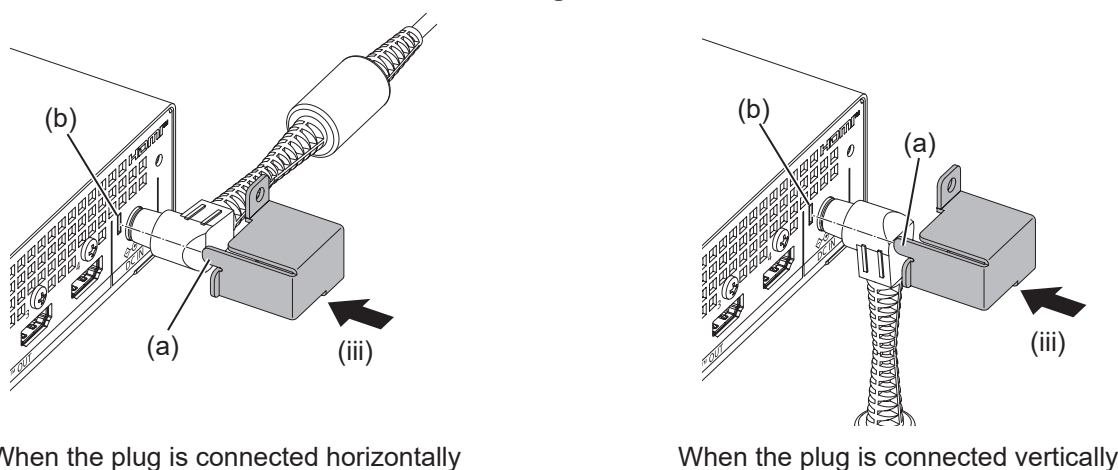


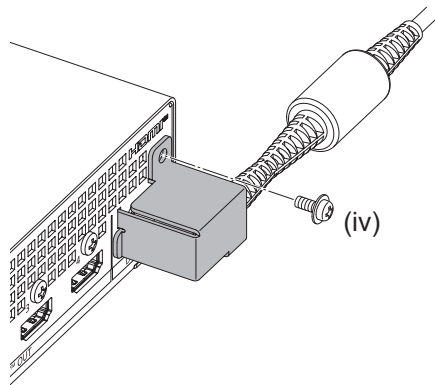
Fig. 1



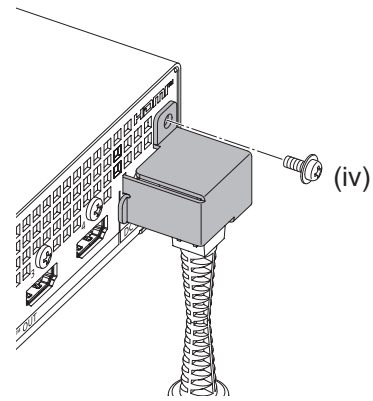
When the plug is connected horizontally

When the plug is connected vertically

Fig. 2



When the plug is connected horizontally



When the plug is connected vertically

Fig. 3

- 1) **Connect the power cord and AC adapter (Fig. 1).**
 - Securely insert the connector of the power cord all the way into the AC adapter. (i)
 - Securely insert the plug of the AC adapter all the way into the <DC IN> terminal at the rear of the device. (ii)
- 2) **Attach the AC adapter securing bracket (Fig. 2).**
 - Attach the supplied AC adapter securing bracket so that it covers the AC adapter plug while inserting its protrusion (a) into slit (b) at the rear of the device. (iii)
 - Turn the plug of the AC adapter so that the DC power cable becomes horizontal or vertical in accordance with the installation state.
- 3) **Fasten the AC adapter securing bracket (Fig. 3).**
 - Use the 1 supplied screw (M3x6) to securely fix it in place. (iv)

Attention

- When removing or inserting the plug of the AC adapter, be sure to do so while the power cord is disconnected from the outlet. Removing or inserting the plug while power is being supplied may cause a malfunction.
- Be sure to fix the cables and supplied AC adapter connected to the device to the rack, truss, etc. so that the weight of the cables and AC adapter will not be directly applied to the device.

Removing procedure

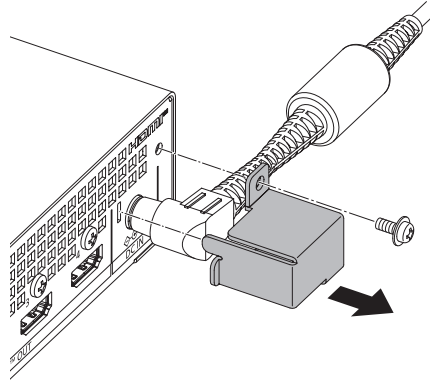


Fig. 1

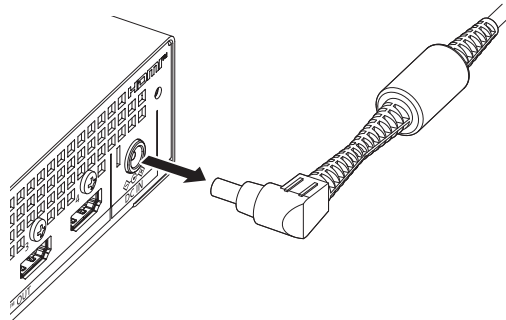


Fig. 2

1) Remove the AC adapter securing bracket (Fig. 1).

- Remove the screw securing the AC adapter securing bracket and then remove the AC adapter securing bracket.

2) Remove the plug (Fig. 2).

- Hold the plug, and disconnect it from the <DC IN> terminal.

Attention

- When removing or inserting the plug of the AC adapter, be sure to do so while the power cord is disconnected from the outlet. Removing or inserting the plug while power is being supplied may cause a malfunction.

Power indicator

You can check the status of the device from the power indicator <POWER> on the front of the device.

Lighting state		Status of device
Off		The power plug of the AC adapter is not connected to an outlet. Or, the power to the outlet has been shut off.
Green	Lit	Operating.
	Blinking	Initializing the settings of the device. Or, updating the firmware. The device will restart automatically after the initialization or update completes.
Orange	Lit	Starting. The indicator will switch to the operating state (lit green) after a while.
Red	Lit	A warning has occurred.
	Blinking	An error has occurred.

Note

- The OS of the device starts up after the power is turned on. The power indicator <POWER> is lit in orange for approximately 1 minute until the OS startup completes and the device enters the operating state.
- You can check the details of an error/warning based on the symbol in [Error / Warning] displayed on the [Status] menu → [Status] page (➡ page 37) of the Web control screen. For the symbol displayed in [Error / Warning] and the corresponding details and measure to take, refer to “About the Self-Diagnostics Display” (➡ page 58).
- The power indicator <POWER> may not light or blink depending on the settings of [Mode] and [Notifications] of [System] menu → [Details] page (➡ page 49) on the Web control screen.

Chapter 4 Settings and Operation

This chapter describes the settings of the device and how to use the functions.

Using the web control function

This device is equipped with a network function, which enables the following to be performed by accessing the device from a computer.

- Setting the device
- Displaying the status of the device
- Setting and operating the playback functions
- Updating the firmware

When using the playback functions, refer to the following section as well.

- “Using the playback functions” (➔ page 53)

Note

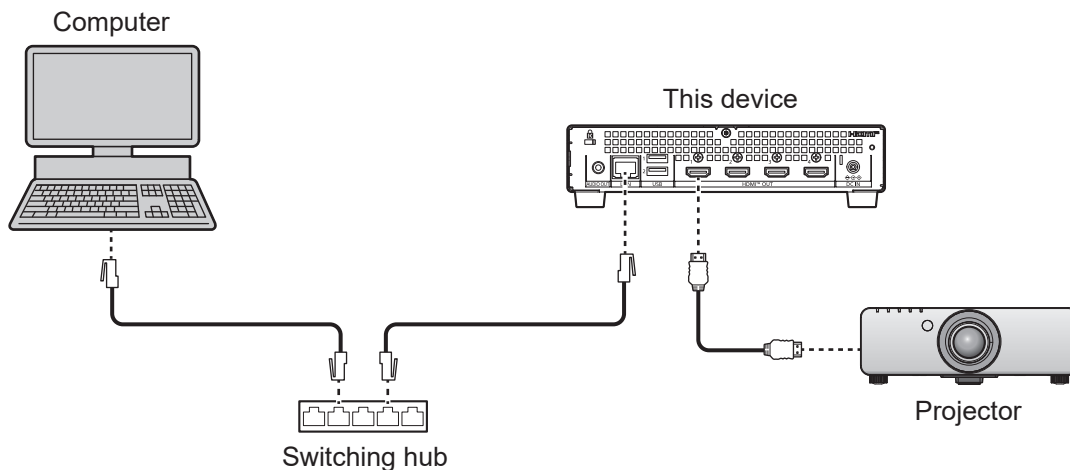
- To use the network function of the device, you need to set an account (user name and password) (➔ page 33).
The network function of the device cannot be used if an account is not set.
The accounts of the device are classified into the administrator account and standard user accounts. A set account can be used as the administrator account.

Supported computers

A web browser is required to use the web control function. Confirm beforehand that the web browser can be used.

OS	Supported browser
Windows	Microsoft Edge
Mac OS	Safari 16.0/17.0

Connection example



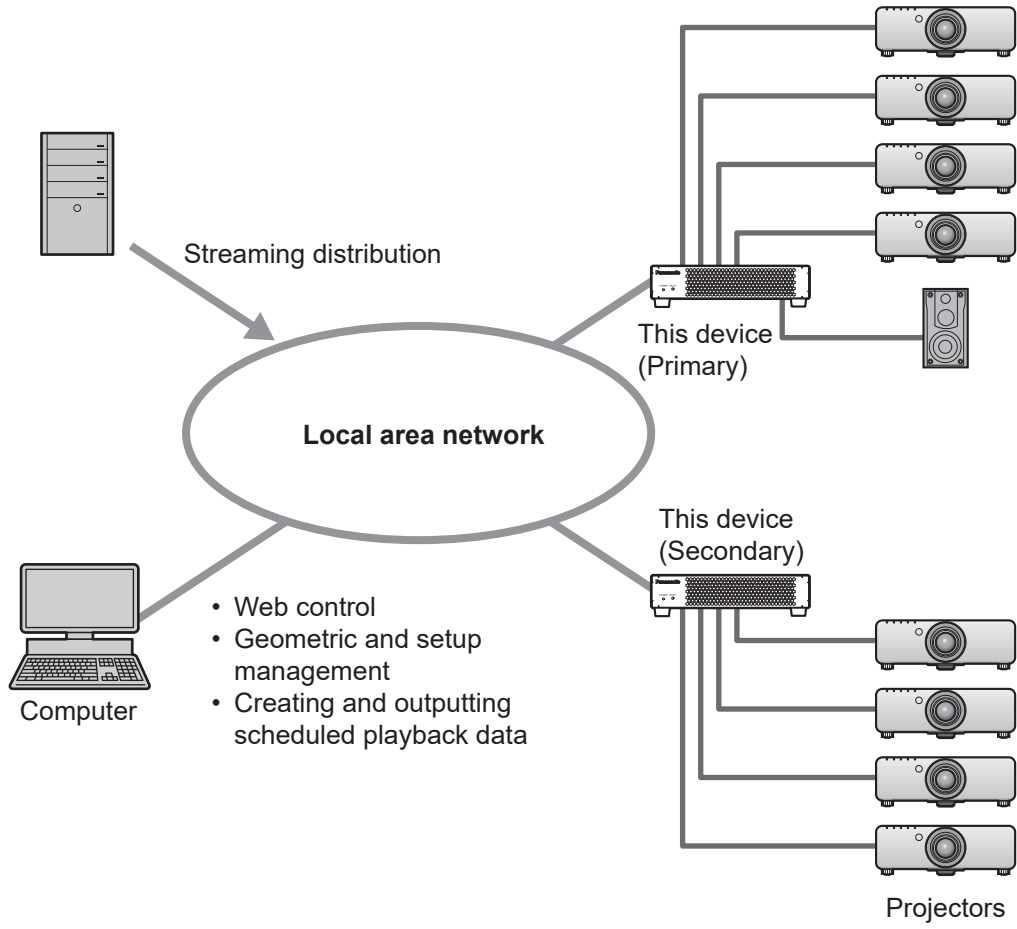
Attention

- The LAN cable connected directly to this device must be indoors only.

Note

- A LAN cable is required to use the network function.
- Use a straight or crossover LAN cable that is compatible with CAT5e or higher. Either a straight cable or crossover cable or both cables can be used depending on the system configuration. Consult your network administrator. The device will determine the type of cable (straight or crossover) automatically.
- Use a LAN cable that is no longer than 100 m (328'1").

■ Image of operation



Setup

The network settings are preset on the device. When using the device for the first time or when the network settings of the device have been initialized, you need to change the settings according to the network environment to be connected for operation. Therefore, change the settings following the instructions from your network administrator.

In addition, when using the device for the first time or when all of the user setting data of the device has been initialized, set the time zone to match the location of use because the time zone set will be that set at the time of shipment from the factory. Furthermore, when using the device for the first time or when the network settings of the device have been initialized, also set an account because no account will be set.

1) Connect a computer and the device with a LAN cable.

- Connect the computer to use for setup and the device via a LAN cable.

2) Turn on the computer and the device.

3) Configure the network settings of the computer.

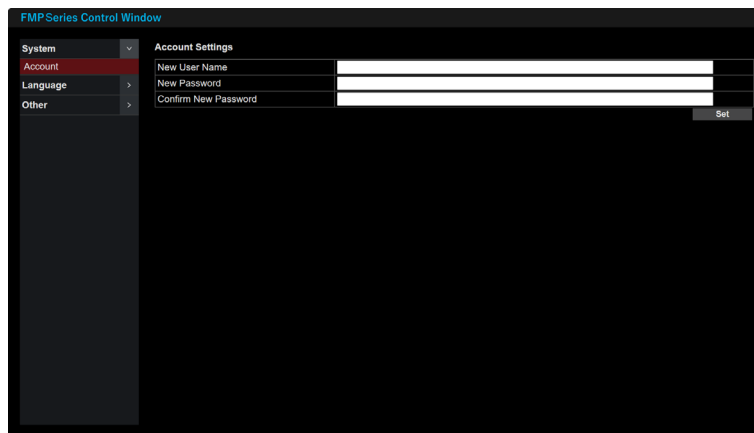
- If you configure the settings as follows, a network connection to the device will be established.

[IP Address]	192.168.0.10
[Subnet Mask]	255.255.255.0
[Default Gateway]	192.168.0.1

4) Start up the web browser on the computer.

5) Access the device from the web browser.

- Enter the IP address (192.168.0.8) preset on the device in the URL entry field of the web browser, and then press the Enter key.
- The [Account] page of the Web control screen appears.



6) Enter the user name in [New User Name].

- Enter the user name to be used as the account name.
- A user name of up to 16 single-byte characters can be set for the user name.

7) Enter the password in [New Password].

- Enter the password to set for the account.
- The password setting cannot be left blank.
- A password of up to 16 single-byte characters can be set.
- It is recommended that the password contains at least three of the following four kinds of characters.
 - Uppercase alphabet letters
 - Lowercase alphabet letters
 - Numerals
 - Special symbols (~!@#%&*()_+|\}][<>./?'`)

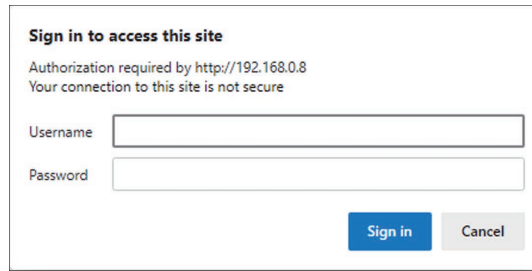
8) Enter the password in [Confirm New Password].

- Enter the password entered in step 7.

9) Click [Set].

- Setting of the account is now complete.
- The login screen for entering the user name and password appears.

- The login screen may be hidden by another window that is already open. If that happens, minimize the window in the foreground to display the login screen.



Sign in to access this site

Authorization required by http://192.168.0.8
Your connection to this site is not secure

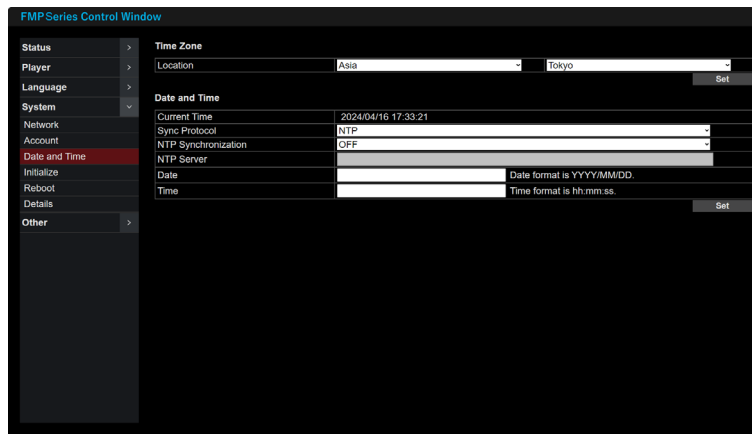
Username

Password

10) Enter the user name and password of the account.

11) Click [Sign in] or [OK].

- The [Date and Time] page of the Web control screen appears.



FMPSeries Control Window

Status > Time Zone

Player > Location Asia Tokyo Set

Language >

System >

Network >

Account >

Date and Time

Current Time	2024/04/16 17:33:21
Sync Protocol	NTP
NTP Synchronization	OFF
NTP Server	
Date	
Time	

Date format is YYYY/MM/DD.
Time format is hh:mm:ss. Set

12) Change the time zone setting.

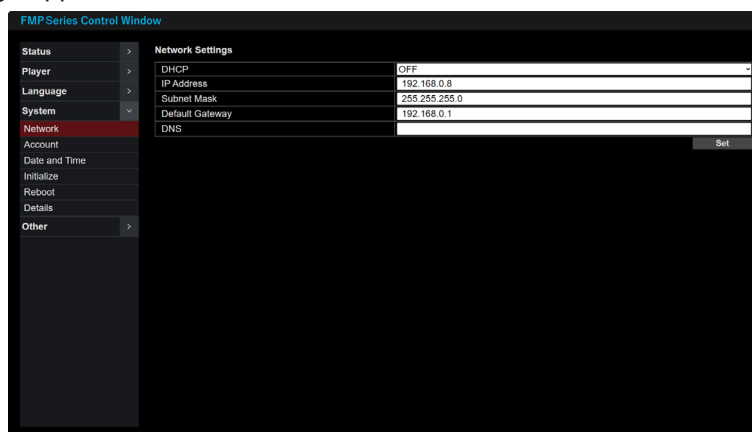
- Select the region and city in [Location] to match the location of use.
- For details on operating the Web control screen, refer to “Accessing from the web browser” (➔ page 35).

13) Click [Set].

- The time zone setting is applied.

14) Click the [System] menu → [Network].

- The [Network] page appears.



FMPSeries Control Window

Status > Network Settings

Player >

Language >

System >

Network

DHCP	OFF
IP Address	192.168.0.8
Subnet Mask	255.255.255.0
Default Gateway	192.168.0.1
DNS	

Set

15) Change the network settings.

- Change the setting of each item according to the network environment to be connected for operation.
- The settings are as follows at the time of shipment from the factory or when the network settings have been initialized.

[DHCP]	OFF
[IP Address]	192.168.0.8
[Subnet Mask]	255.255.255.0
[Default Gateway]	192.168.0.1
[DNS]	None

16) Click [Set].

- When this is clicked, a confirmation screen appears. Select [OK].
- The entered network settings are applied.
- If the settings were changed from the factory default settings, the connection with the computer used for setup is disconnected. If necessary, change the network settings of the computer.

Note

- The accounts of the device are classified into the administrator account and standard user accounts. A set account can be used as the administrator account.
- When using the device for the first time or when the network settings of the device have been initialized, the Web control screen is displayed in English. The language can be changed to Japanese on the [Language] menu → [Language] page.

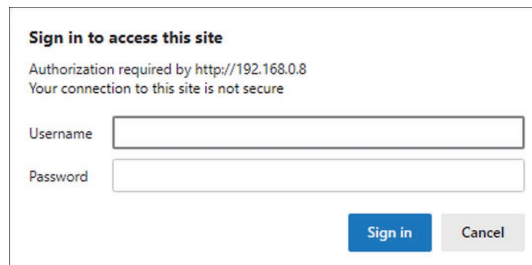
Accessing from the web browser

The subsequent explanations assume that the display language is set to [English] on the [Language] menu → [Language] page (➡ page 43) of the Web control screen.

1) Start up the web browser on the computer.

2) Access the device from the web browser.

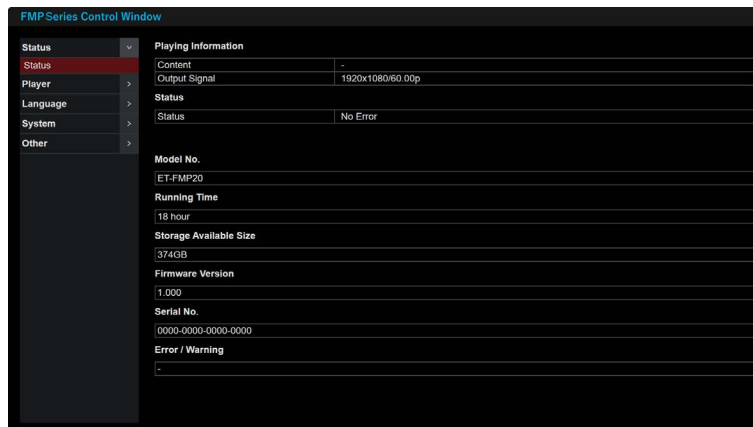
- Enter the IP address set on this device in the URL entry field of the web browser.
- The login screen for entering the user name and password appears.



3) Enter the user name and password of the account.

4) Click [Sign in] or [OK].

- The [Status] page of the Web control screen appears.



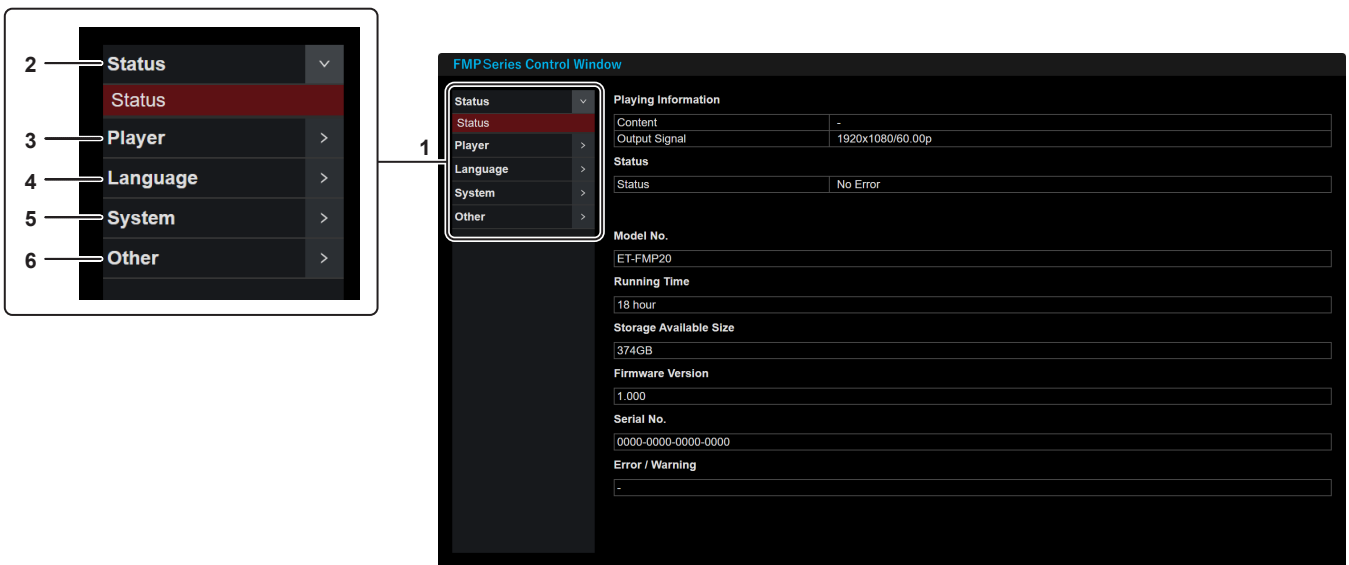
Attention

- The login screen may be hidden behind another window that is already open. If that happens, minimize the window in the foreground to display the login screen.

Note

- Avoid starting up multiple web browsers and then performing setting or operation simultaneously. Also, avoid setting or operating the device from multiple computers.
- Some items in the setting page of this device use the Javascript function of the web browser. Correct control may not be possible when the web browser is set not to use this function.
- If the Web control screen is not displayed, consult your network administrator.
- When the display of the Web control screen is updated, the screen may appear white for a moment, but this is not a malfunction.
- Illustrations of computer screens
The size or display of screens may differ from the screen examples in this manual depending on the OS, browser, or type of the computer in use.

Description of items



1 Page selection menu

This is an accordion style menu for selecting the page to display. Click an upper-level menu item to display the hidden lower-level menu items. Click the upper-level menu item again to hide the lower-level menu items.

2 [Status]

This displays the menu item for displaying the information and status of the device. (➡ page 37)

3 [Player]

This displays the menu items for setting the playback functions and performing audio control and streaming content operations. (➡ page 38)

4 [Language]

This displays the main item for selecting the display language. (➡ page 43)

5 [System]

This displays the menu items for configuring the network settings, changing the account information, setting the date and time, initializing the settings, rebooting the device, and configuring the detailed settings of the device. (➡ page 44)

6 [Other]

This displays the menu items for performing the following operations.
 Updating the firmware (➡ page 50)
 Downloading the open-source software licenses (➡ page 51)
 Downloading the error/warning occurrence log (➡ page 52)

[Status]

[Status] page

This page displays the information and status of the device.
Click the [Status] menu → [Status].

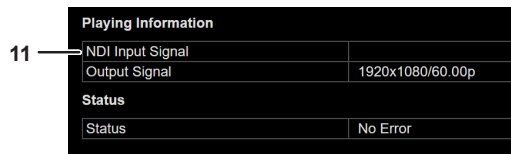


■ [Playing Information]

When [Player] is set to [Schedule]



When [Player] is set to [NDI(NDI Decoder)]



1 [Playing Information]

Displays information on the content being played in a schedule or content being played by streaming. The displayed information differs depending on the setting of [Player] menu → [Settings] → [Player] (➡ page 38).

2 [Model No.]

Displays the model number of the device.

3 [Running Time]

Displays the running time of the device. The time passes even if content is not played.

4 [Storage Available Size]

Displays the available space in the internal storage of the device.

5 [Firmware Version]

Displays the firmware version of the device.

6 [Serial No.]

Displays the serial number of the device.

7 [Error / Warning]

Indicates the details of an error/warning with a symbol if an error/warning has occurred in the device. For information on the details, refer to “About the Self-Diagnostics Display” (➡ page 58).

8 [Content]

Displays the name of the content being played in a schedule. “—” is displayed when playback is stopped.

9 [Output Signal]

Displays the signal format of the content being played. “—” is displayed when playback is stopped or the signal is interrupted.

10 [Status]

Displays the status of the content being played.

11 [NDI Input Signal]

Displays the signal format of the content being played by streaming. “—” is displayed when playback is stopped.

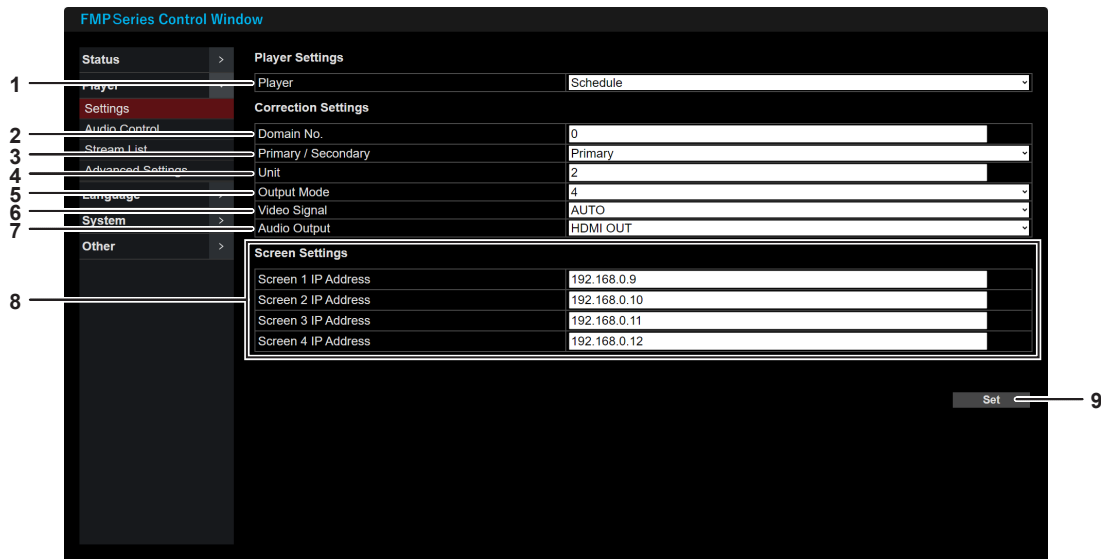
Note

- The information displayed on the [Status] page is updated every 30 seconds.

[Player]

[Settings] page

This page is for selecting the playback function and configuring the output method and other settings. Click the [Player] menu → [Settings].



1 [Player]

Select the playback function.

[Schedule]: Performs scheduled playback.

[NDI(NDI Decoder)]: Plays streaming content compatible with NDI.

2 [Domain No.]

Set a number for identification when connecting multiple devices on the same network to perform synchronized playback.

A number from 0 to 127 that is single byte can be set.

When [Unit] is set to [1], the [Domain No.] setting is disabled.

3 [Primary / Secondary]

Set this if synchronized playback will be performed.

When [Unit] is set to [1], this is fixed to [Primary].

If this setting is changed when the [System] menu → [Date and Time] page → [Sync Protocol] is set to [SoftwareSync], the [System] menu → [Date and Time] page → [Primary / Secondary] setting also changes.

[Primary]: Operates as the synchronization source during synchronized playback with multiple devices. Only one unit can be set to [Primary] within the same domain number.

[Secondary]: Performs playback synchronized to the device set to [Primary]. All devices except the one set as the synchronization source should be set to [Secondary].

4 [Unit]

Set the number of devices to perform synchronized playback. (Up to 255 units)

Set [1] if synchronized playback will not be performed.

When [Unit] is set to [1], the [System] menu → [Date and Time] page → [Sync Protocol] is fixed to [NTP].

5 [Output Mode]

Select the output method for the playback video.

[1]: Outputs the playback video from the <HDMI OUT 1> terminal.

[4]: Outputs the playback video from the <HDMI OUT 1> / <HDMI OUT 2> / <HDMI OUT 3> / <HDMI OUT 4> terminals.

6 [Video Signal]

Select the format of the video signal to be output from the device.

[AUTO]: Reads the EDID of the projector connected to the device and then selects the signal format automatically.

[3840x2160/60p]: Outputs a video signal with 3 840 x 2 160p 60 Hz.

[3840x2160/50p]: Outputs a video signal with 3 840 x 2 160p 50 Hz.

[1080/60p]: Outputs a video signal with 1 920 x 1 080p 60 Hz.

[1080/50p]: Outputs a video signal with 1 920 x 1 080p 50 Hz.

[3840x2160/60p] and [3840x2160/50p] can be selected when [Output Mode] is set to [1].

7 [Audio Output]

Select the output method for the audio signal.

[HDMI OUT]: Outputs the audio signal together with the video signal from the <HDMI OUT 1> / <HDMI OUT 2> / <HDMI OUT 3> / <HDMI OUT 4> terminals.

[AUDIO OUT]: Outputs the audio signal from the <AUDIO OUT 1> terminal.

8 [Screen 1 IP Address]

IP address for identification associated with the <HDMI OUT 1> terminal.

[Screen 2 IP Address]

IP address for identification associated with the <HDMI OUT 2> terminal.

[Screen 3 IP Address]

IP address for identification associated with the <HDMI OUT 3> terminal.

[Screen 4 IP Address]

IP address for identification associated with the <HDMI OUT 4> terminal.

When processing playback video in application software, use the IP address for identification associated with each HDMI output terminal.

[Screen 1 IP Address], [Screen 2 IP Address], [Screen 3 IP Address], and [Screen 4 IP Address] can be set when [Output Mode] is set to [4].

9 [Set]

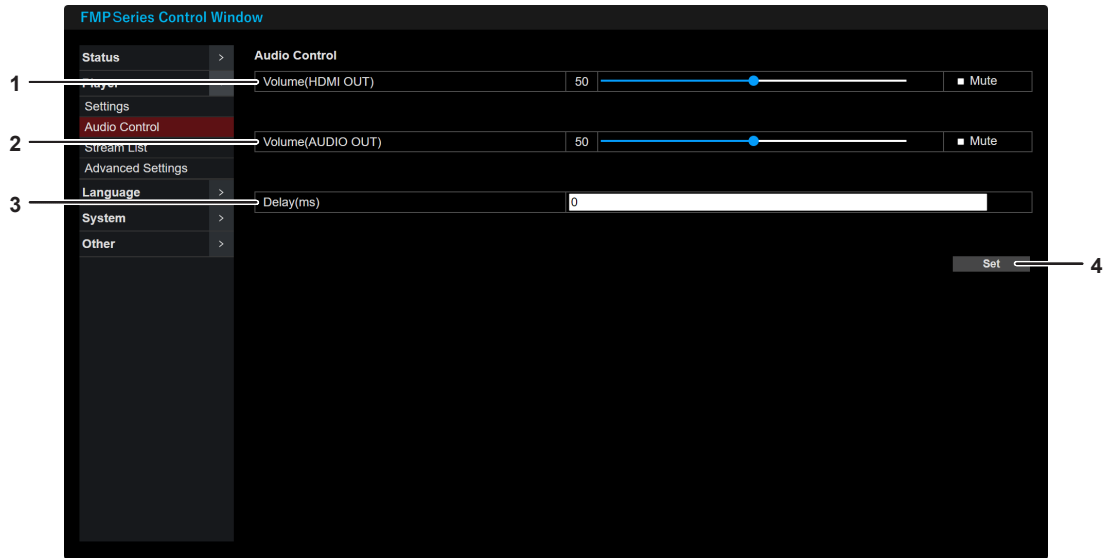
Apply the settings on the [Settings] page to the device.

Note

- Scheduled playback is a function to play back still image and movie content saved to the internal storage according to schedules that you have set. To register content and create schedules, use the “Content Management Software for FMP series” application software. To download “Content Management Software for FMP series”, log in to PASS on the following website and visit the download page for the software.
<https://panasonic.net/cns/projector/pass/>
- Streaming playback is a function to play back content on the same network while importing the content data. Select the content and perform the playback operation on the [Stream List] page (➡ page 41).
- The [Primary / Secondary] setting item is common to the following item.
 - [System] menu → [Date and Time] page → [Primary / Secondary]
- If the number of units of this device set to perform synchronized playback in [Unit] differs from the actual number of running units on the network, content playback cannot start. Check the [Unit] setting and the power state and network connection state of each device.
- Since the IP addresses to enter in [Screen 1 IP Address], [Screen 2 IP Address], [Screen 3 IP Address], and [Screen 4 IP Address] are the IP addresses assigned to the corresponding HDMI output terminals for identifying the screens for processing, they differ from the IP addresses set on the projectors connected to the <HDMI OUT 1> / <HDMI OUT 2> / <HDMI OUT 3> / <HDMI OUT 4> terminals.
- Make sure that the IP addresses entered in [Screen 1 IP Address], [Screen 2 IP Address], [Screen 3 IP Address], and [Screen 4 IP Address] do not duplicate the IP addresses of network devices connected to the same network.
- When [Video Signal] is set to [AUTO], the EDID of the projector connected to the device is read and then the video signal is output in one of the following formats. 3840x2160/60p and 3840x2160/50p are valid when [Output Mode] is set to [1].
 - 3840x2160/60p (3 840 x 2 160p 60 Hz)
 - 3840x2160/50p (3 840 x 2 160p 50 Hz)
 - 1080/60p (1 920 x 1 080p 60 Hz)
 - 1080/50p (1 920 x 1 080p 50 Hz)
- When [Output Mode] is set to [4], the format of the video signal output from the <HDMI OUT 1> / <HDMI OUT 2> / <HDMI OUT 3> / <HDMI OUT 4> terminals is common. When [Video Signal] is set to [AUTO], a search is performed to check whether projectors are connected in order from the <HDMI OUT 1> terminal, and the EDID of the projector first detected is read and then the signal format is selected automatically.
- If the resolution of the content to be used for scheduled playback differs from the output resolution of the device, the resolution is changed and then the content is output.
- The audio codec of the content to be used for scheduled playback is MPEG4 AAC-LC, but it is converted to linear PCM and then the content is output from the device.

[Audio Control] page

This page is for setting the audio function.
Click the [Player] menu → [Audio Control].



1 [Volume(HDMI OUT)]

Use the slider bar to adjust the volume for output from the <HDMI OUT 1> / <HDMI OUT 2> / <HDMI OUT 3> / <HDMI OUT 4> terminals within the range of [0] to [100].
If you add a check mark to [Mute], audio output stops.

2 [Volume(AUDIO OUT)]

Use the slider bar to adjust the volume for output from the <AUDIO OUT> terminal within the range of [0] to [100].
If you add a check mark to [Mute], audio output stops.

3 [Delay]

Set a delay time for the audio within the range of [0] ms to [171] ms if the audio output from the <AUDIO OUT> terminal is out of sync with the timing of video display.
The factory default setting is [0] ms.

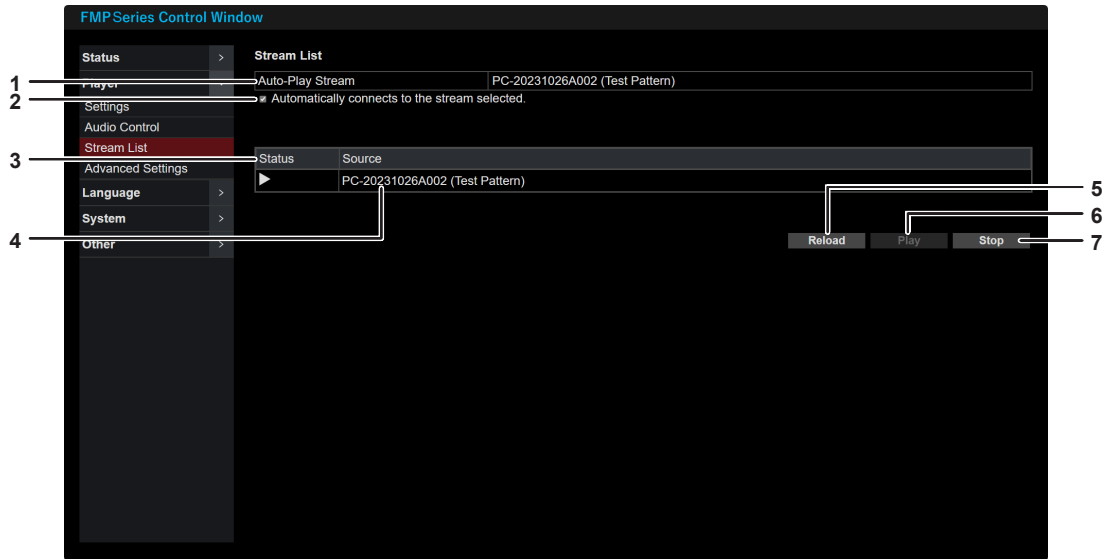
4 [Set]

Apply the settings on the [Audio Control] page to the device.

[Stream List] page

This page is for performing streaming playback content operations.

The operations are possible when the [Player] menu → [Settings] page → [Player] is set to [NDI(NDI Decoder)]. Click the [Player] menu → [Stream List].



1 [Auto-Play Stream]

When a check mark is added to [Automatically connects to the stream selected.], the content of the device selected in the [Source] list is displayed as the target for automatic playback. When the check mark is removed, the device display disappears.

2 [Automatically connects to the stream selected.]

When a check mark is added to this check box, the content of the device displayed in [Auto-Play Stream] starts playing automatically after the power of the device is turned on next time. Furthermore, if the settings on the [Player] menu → [Settings] page are changed during streaming when a check mark has been added to this check box, playback resumes automatically after changing of the settings completes. If the check mark is removed, playback does not resume.

3 [Status]

Displays the playback status.
 ■: Stopped
 ►: Playing

4 [Source]

Displays a list of the sources detected on the same network as the device. A source-dependent code that is up to 64 characters long and made up of information such as the device name, application name, and serial number is displayed.

5 [Reload]

Click this to refresh the source list display.

6 [Play]

Click this to play back the content of the selected device.

7 [Stop]

Click this to stop playback.

Setting the auto-play stream

The key points on setting a stream to start playing automatically after the device boots up are as follows.

■ When device set as primary device

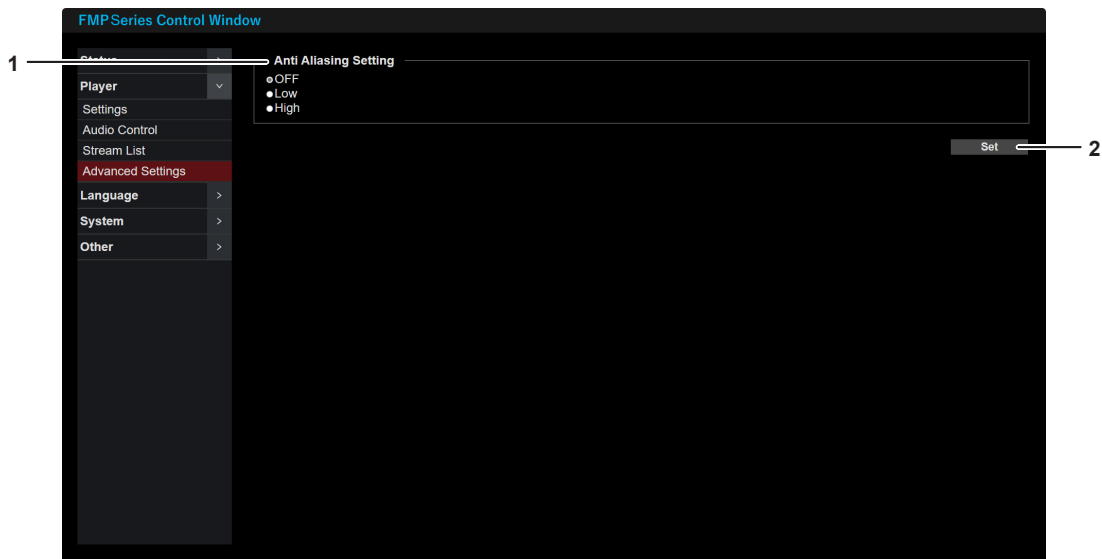
- When [Primary / Secondary] is set to [Primary] on the [Settings] page, if a device displayed in the [Source] list is selected while a device is not displayed in [Auto-Play Stream] and then a check mark is added to [Automatically connects to the stream selected.], the selected device is set as the auto-play stream.
- When the check mark is removed from [Automatically connects to the stream selected.], the setting for the auto-play stream is canceled and the device display disappears from [Auto-Play Stream].
- If another device is selected in the [Source] list while a device is displayed in [Auto-Play Stream] and a check mark is added to [Automatically connects to the stream selected.], the setting is set again with the newly selected device as the auto-play stream.

■ When device set as secondary device

- When [Primary / Secondary] is set to [Secondary] on the [Settings] page, the playback operation cannot be performed.
- The auto-play stream set in the device set as the primary device is applied automatically to [Auto-Play Stream].
- If you want to automatically play back a stream which differs from that of the device set as the primary device, change [Primary / Secondary] to [Primary] while leaving the check mark in [Automatically connects to the stream selected.] and select another device from the [Source] list to set it as the new auto-play stream. Then, complete the setting by returning [Primary / Secondary] to [Secondary].

[Advanced Settings] page

This page is for configuring advanced settings related to playback functions.
Click the [Player] menu → [Advanced Settings].

**1 [Anti Aliasing Setting]**

Set the level of anti-aliasing processing. Performing anti-aliasing processing can reduce the jaggies that occur along diagonal border lines in order to achieve smoother representation.
[OFF]: Does not perform anti-aliasing processing.
[Low]: Performs a low level of anti-aliasing processing.
[High]: Performs a high level of anti-aliasing processing.

2 [Set]

Apply the settings on the [Advanced Settings] page to the device.

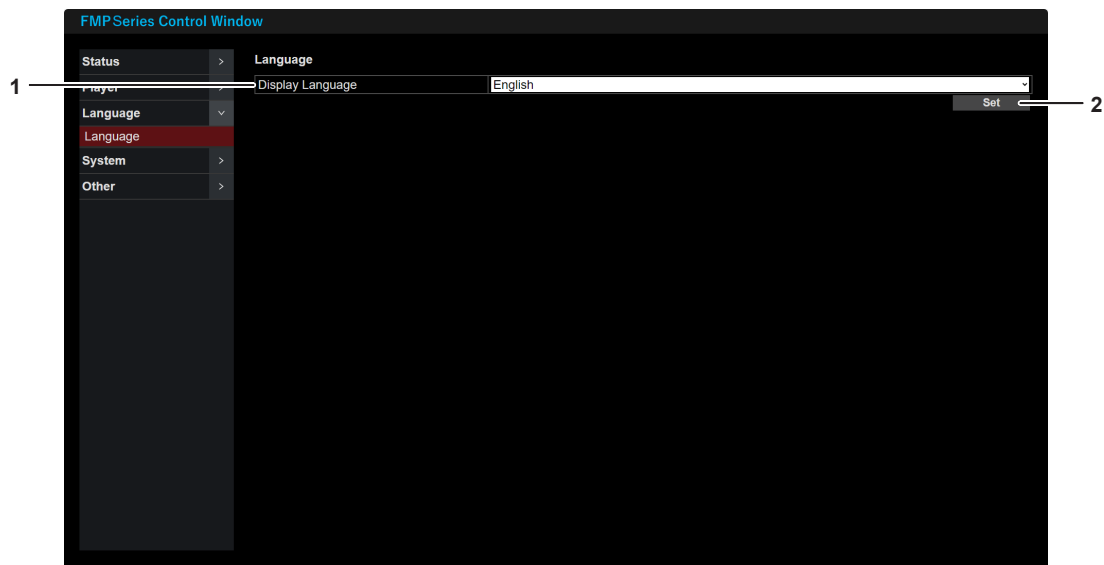
Note

- Jaggies refer to the phenomenon in digital images and computer graphics where diagonal lines or edges are displayed in a stair-like manner, resulting in a sawtooth-like outline or rough appearance.
- Performing anti-aliasing processing can reduce jaggies to produce a smoother effect, but may conversely cause fine details in text or images to be lost, producing a blurred effect. Select the appropriate [Anti Aliasing Setting] option for the content to be used. For example, we recommend selecting [OFF] when you want to emphasize fine detail, and [Low] or [High] when you want to emphasize the overall appearance.
- If a computer running “Geometry Manager Pro for FMP series” is connected to the network, it may affect the playback functions of the device, causing the effect of anti-aliasing processing to not be applied and the jaggies to not be reduced. Before setting the level of anti-aliasing processing, exit “Geometry Manager Pro for FMP series”.

[Language]

[Language] page

This page is for selecting the display language of the Web control screen.
Click the [Language] menu → [Language].



1 [Display Language]

Select the display language for the Web control screen.
[English]: Select this to display the screen in English.
[Japanese]: Select this to display the screen in Japanese.

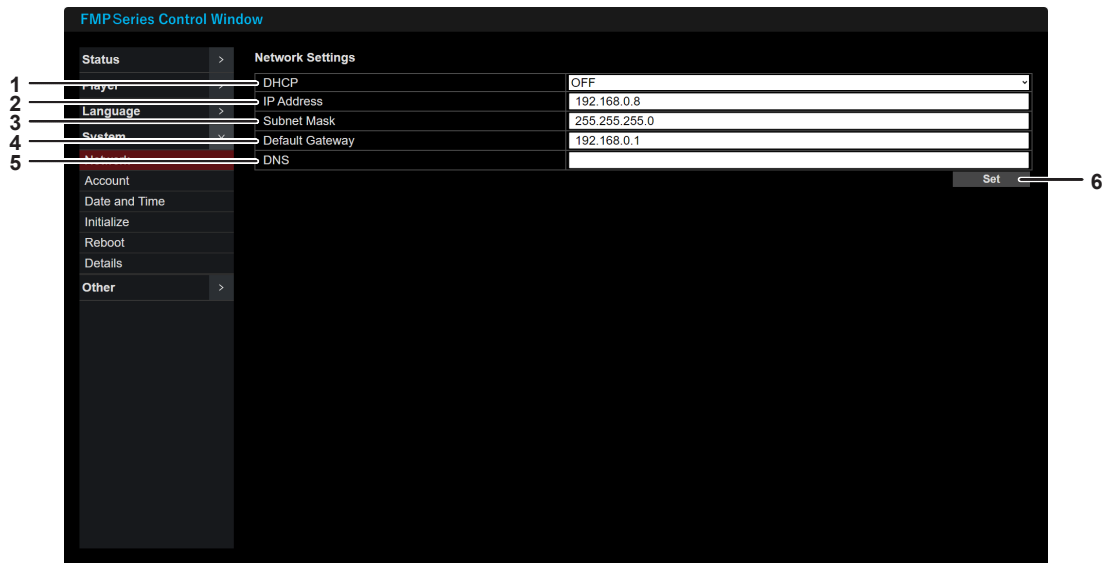
2 [Set]

Switch the display of the Web control screen to the language selected in [Display Language].

[System]

[Network] page

This page is for configuring the connection settings to use a wired LAN.
Click the [System] menu → [Network].



1 [DHCP]

[ON]: Select this to obtain the IP address automatically using a DHCP server on the network to which the device will be connected.
[OFF]: Select this to not use a DHCP server. Set [IP Address], [Subnet Mask], and [Default Gateway].

2 [IP Address]

Enter the IP address to manually apply to the device when a DHCP server is not used.

3 [Subnet Mask]

Enter the subnet mask when a DHCP server is not used.

4 [Default Gateway]

Enter the default gateway address when a DHCP server is not used.

5 [DNS]

Enter the DNS server address.
Characters that can be entered: numbers (0 to 9), period (.)

6 [Set]

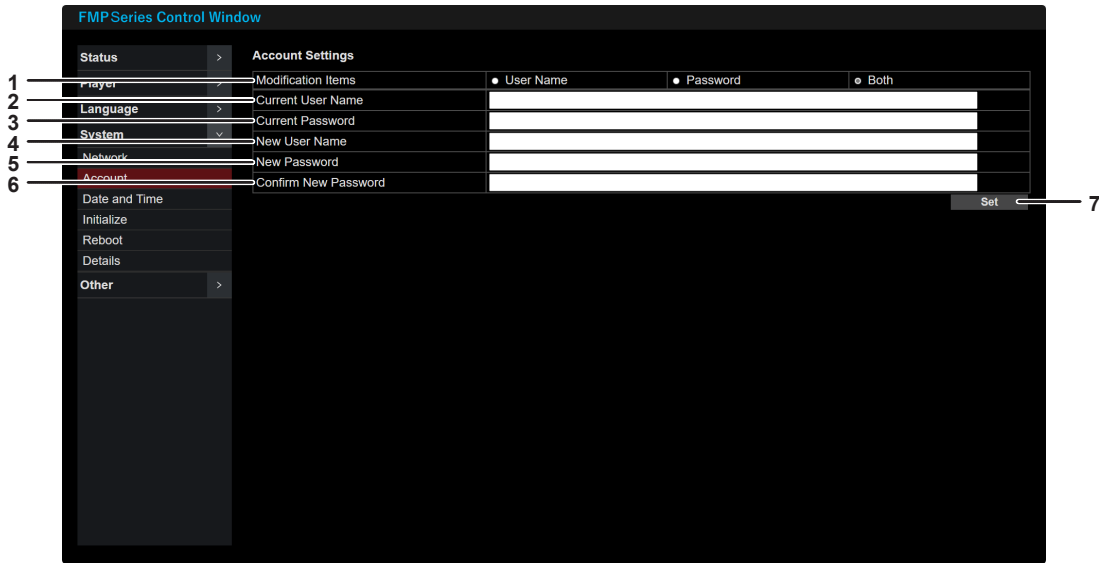
When this is clicked, a confirmation screen appears. Select [OK]. The settings on the [Network] page are applied to the device.

Note

- When using a DHCP server, check that the DHCP server is up and running.
- For the IP address, subnet mask, and default gateway, contact your network administrator.
- When the connection settings of the network of the device are changed, the connection with the computer used for setup is disconnected.

[Account] page

This page is for setting an account to access the device.
Click the [System] menu → [Account].



1 [Modification Items]

Select the items for which to modify the settings.
[User Name]: Select this radio button to modify only the user name.
[Password]: Select this radio button to modify only the password.
[Both]: Select this radio button to modify the user name and password.

2 [Current User Name]

Enter the user name before change.

3 [Current Password]

Enter the password before change.

4 [New User Name]

Enter a new user name. (Up to 16 single-byte characters)

5 [New Password]

Enter a new password. (Up to 16 single-byte characters)

6 [Confirm New Password]

Enter the new password again.

7 [Set]

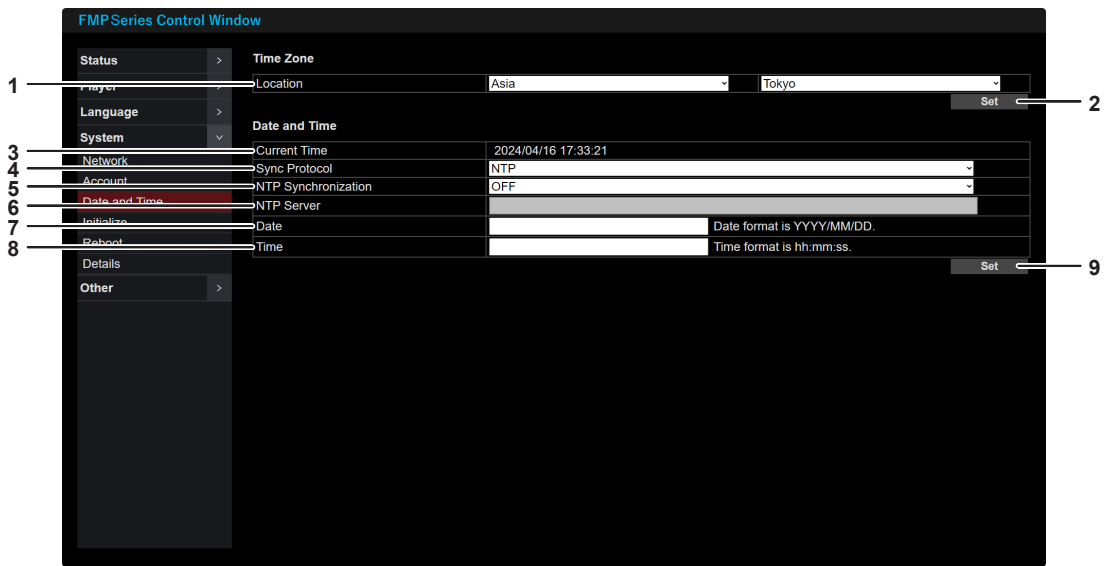
Apply the settings on the [Account] page to the device.

Note

- It is recommended that the password contains at least three of the following four kinds of characters.
 - Uppercase alphabet letters
 - Lowercase alphabet letters
 - Numerals
 - Special symbols (~!@#\$%^&*()_+|}{[<>./?')
- If this device is already registered in application software that uses communication control via LAN, such as “Multi Monitoring & Control Software”, “Content Management Software for FMP series”, or “Geometry Manager Pro for FMP series”, communication with the device will be no longer possible if you change the user name or password of the account. If you have changed the user name or password of the account, change the registration information in the application software that you are using.

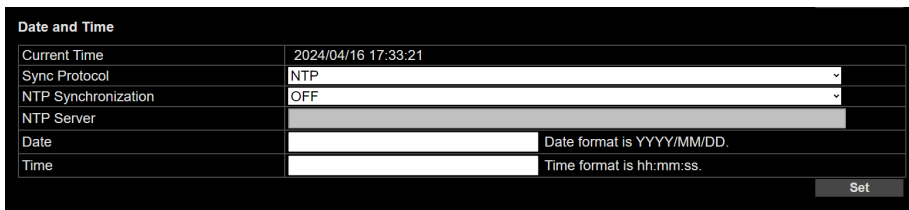
[Date and Time] page

This page is for setting the time zone and the date and time of the internal clock of the device. Click the [System] menu → [Date and Time].

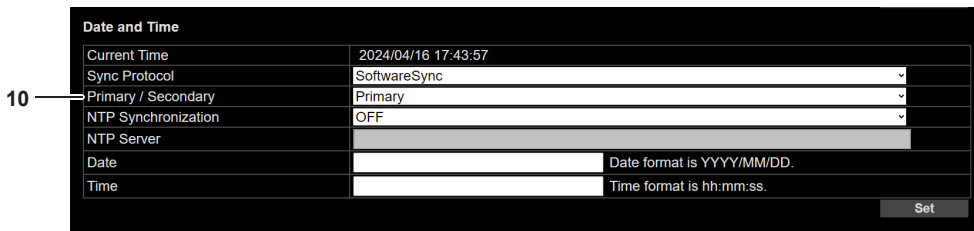


■ [Date and Time]

When [Sync Protocol] is set to [NTP]



When [Sync Protocol] is set to [SoftwareSync]



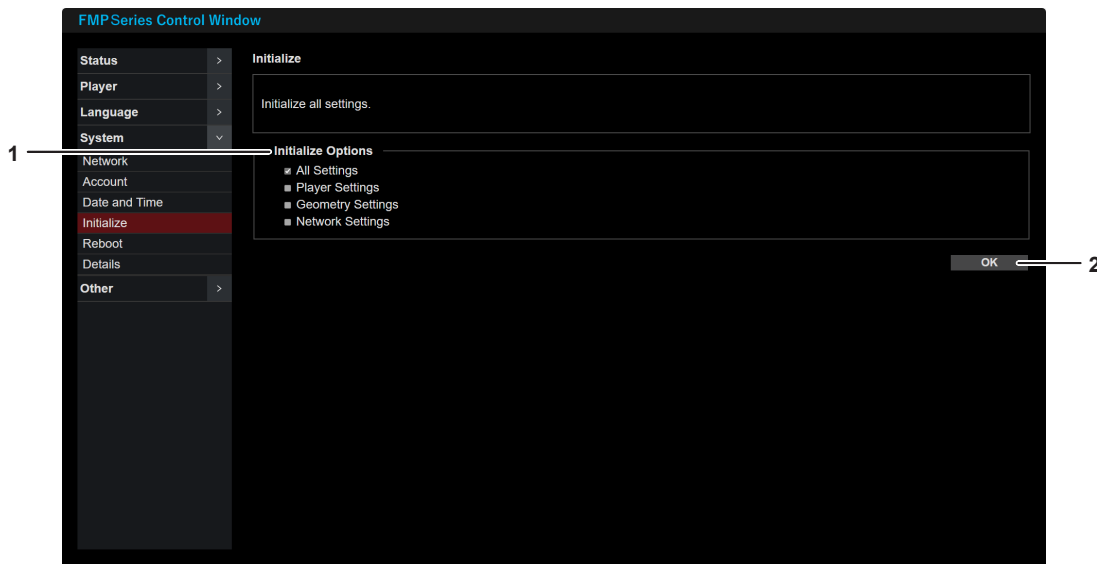
- 1 **[Location]**
Set the time zone by selecting the region and city.
- 2 **[Set]**
Apply the settings of [Time Zone] to the device.
- 3 **[Current Time]**
Displays the current local date and time.
- 4 **[Sync Protocol]**
[NTP]: Select this to synchronize the time with an NTP (Network Time Protocol) server via the network. It provides millisecond-level time synchronization accuracy.
[SoftwareSync]: Select this to perform time synchronization between devices using the PTP (Network Time Protocol) method. It provides microsecond-level time synchronization accuracy.
- 5 **[NTP Synchronization]**
Set time synchronization with an NTP server.
[ON]: Select this to set the date and time automatically by synchronizing with an NTP server.
[OFF]: Select this to enter the date and time in [Date] and [Time] without synchronizing with an NTP server.
- 6 **[NTP Server]**
Enter the IP address or server name of the NTP server with which to synchronize when [NTP Synchronization] is set to [ON].
- 7 **[Date]**
Enter the date when [NTP Synchronization] is set to [OFF].
- 8 **[Time]**
Enter the time when [NTP Synchronization] is set to [OFF].
- 9 **[Set]**
Apply the settings of [Date and Time] to the device.
- 10 **[Primary / Secondary]**
Set [Primary] for one device to be the time synchronization source, and set [Secondary] for the other devices. When [Unit] on the [Player] menu → [Settings] page is set to [1], this is fixed to [Primary].
If the setting is changed, the [Primary / Secondary] setting on the [Player] menu → [Settings] page also changes.

Note

- When [Unit] on the [Player] menu → [Settings] page is set to [1], [Sync Protocol] is fixed to [NTP]. When [Unit] is set to other than [1], [Sync Protocol] can be set to [SoftwareSync].
- When the server name is entered in [NTP Server], the DNS server address needs to be entered in [DNS] on the [System] menu → [Network] page.
- The following single-byte characters can be used in [NTP Server].
 - Uppercase alphabet letters
 - Lowercase alphabet letters
 - Numerals
 - Special symbols (/:%#\$%&?)(~.=-+)
- When [Sync Protocol] is set to [SoftwareSync] and when [Primary / Secondary] is set to [Secondary], [NTP Synchronization] cannot be set.
- The [Primary / Secondary] setting item is common to the following item.
 - [Player] menu → [Settings] page → [Primary / Secondary]
- If the [NTP Synchronization] setting is changed and the date and time of the internal clock is changed significantly by synchronizing the time with an NTP server when using a playback function of the device, synchronized playback and other playback operations may become unstable. If that happens, reboot the device on the [System] menu → [Reboot] page.
- If the time becomes incorrect soon after setting the time, the device internal battery needs to be replaced. Consult your dealer.

[Initialize] page

This page is for initializing the user setting data to return the device settings to the factory default state. Click the [System] menu → [Initialize].



1 [Initialize Options]

- Select the options for initialization.
- [All Settings]:** Add a check mark to initialize all user settings.
 - [Player Settings]:** Add a check mark to initialize all of the settings under the [Player] menu.
 - [Geometry Settings]:** Add a check mark to initialize all of the settings adjusted using “Geometry Manager Pro for FMP series”.
 - [Network Settings]:** Add a check mark to initialize all of the settings on the [System] menu → [Network] page.

2 [OK]

When this is clicked, a confirmation screen appears. If you select [OK], initialization for the options selected in [Initialize Options] starts. When initialization finishes, a confirmation screen appears. Click [OK]. The device reboots to complete the initialization process.

Attention

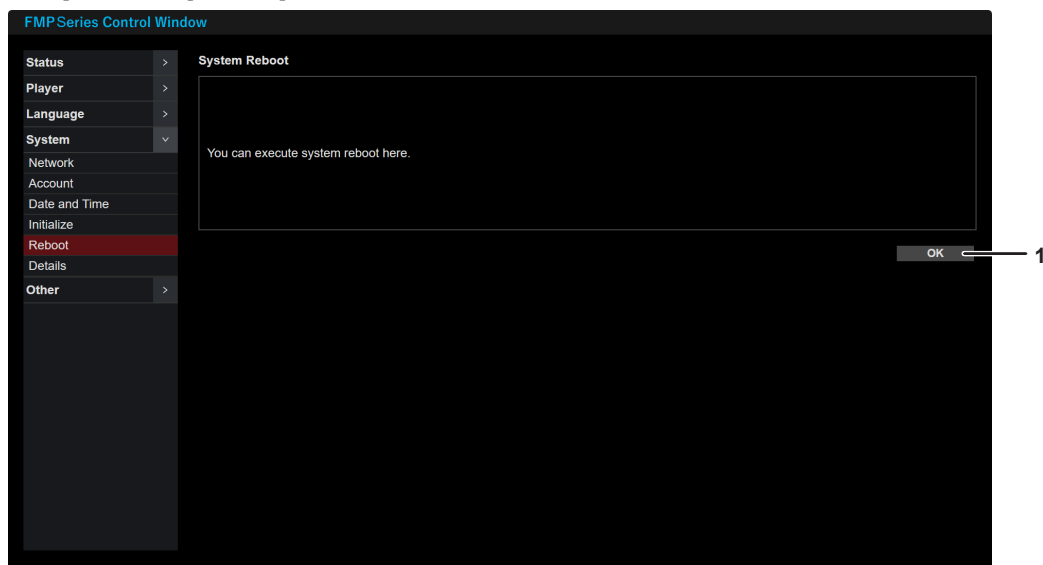
- When initialization is started by clicking [OK], do not turn off the power until the device has rebooted and is operating. When the device begins operating, the power indicator <POWER> lights in green. (➡ page 29)

Note

- When [All Settings] or [Network Settings] of [Initialize Options] is selected and then initialization is performed, the connection with the computer used for setup is disconnected. Also, the account settings are also initialized. After the reboot, configure the network settings and account settings according to “Setup” (➡ page 33).
- When [Player Settings] of [Initialize Options] is selected and then initialization is performed, [Primary / Secondary] of the [System] menu → [Date and Time] is also initialized.
- During initialization, an all black video signal is output from the <HDMI OUT 1> terminal or the <HDMI OUT 1> / <HDMI OUT 2> / <HDMI OUT 3> / <HDMI OUT 4> terminals.
- The power indicator <POWER> on the device front panel flashes in green during initialization. For details on status display with the power indicator <POWER>, refer to “Power indicator” (➡ page 29).
- For details on the settings that can be adjusted using “Geometry Manager Pro for FMP series”, refer to the operating instructions for “Geometry Manager Pro for FMP series”.

[Reboot] page

This page is for rebooting the device.
Click the [System] menu → [Reboot].



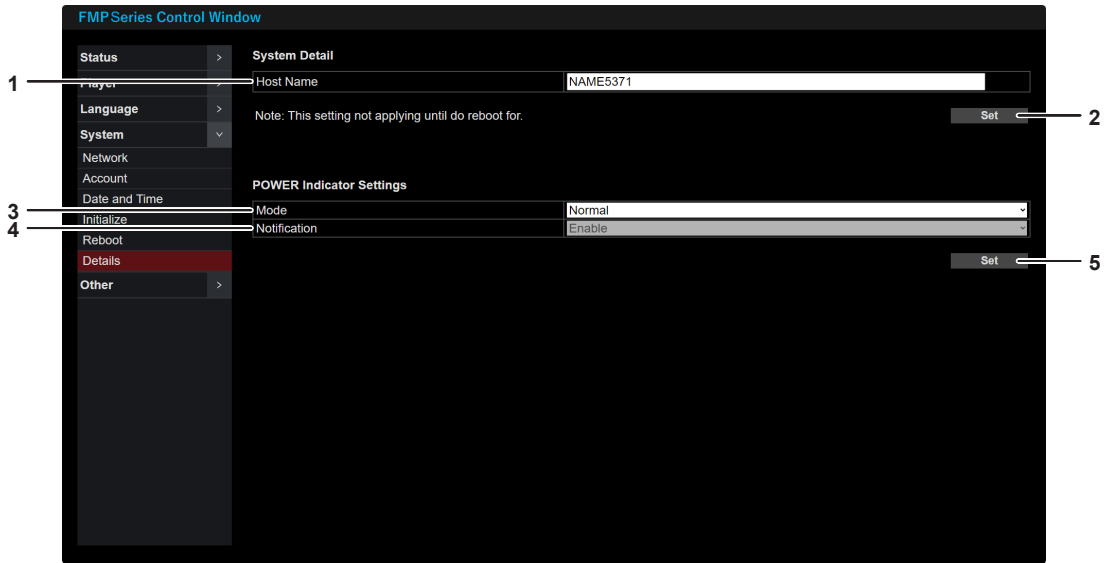
- 1 [OK]
When this is clicked, a confirmation screen appears. Select [OK]. The device reboots.

Note

- When the device reboots, the connection with the computer used for setup is disconnected.

[Details] page

This page is for setting the details of the device.
Click the [System] menu → [Details].



- | | |
|--|--|
| <p>1 [Host Name]
Enter the name of the device. If a host name is required when using, for example, a DHCP server, enter the host name. (From 4 to 24 single-byte characters)</p> <p>2 [Set]
Apply the setting of [Host Name] to the device.</p> <p>3 [Mode]
Set the operation mode of the power indicator <POWER>.
[Normal]: The indicator lights/flashes according to the status of the device.
[Off]: The indicator turns off/flashes according to setting of [Notification].</p> | <p>4 [Notification]
[Enable]: The power indicator <POWER> is off and does not light in green during normal operation. It lights/flashes according to the status of the device when an error/warning occurs or the device is otherwise not operating normally.
[Disable]: The indicator is always off regardless of the status of the device. Notification by power indicator <POWER> does not occur even if an error/warning has occurred on the device.</p> <p>5 [Set]
Apply the settings of [Mode] and [Notification] to the device.</p> |
|--|--|

Note

- The following single-byte characters can be used in [Host Name].
 - Uppercase alphabet letters
 - Lowercase alphabet letters
 - Numerals
 - Special symbols (-)
- In the following cases, an all black video signal is output from the <HDMI OUT 1> terminal or the <HDMI OUT 1> / <HDMI OUT 2> / <HDMI OUT 3> / <HDMI OUT 4> terminals.
 - While scheduled playback is stopped
 - While streaming playback is stopped
 - While streaming video is interrupted
 - While initializing
 - While updating the firmware
- The power indicator <POWER> on the device front panel lights in orange while the device is booting up regardless of the [Notification] setting.
- For details on status display with the power indicator <POWER>, refer to “Power indicator” (➡ page 29).

[Other]

[Firmware Update] page

This page is for performing the operation to update the firmware of the device.
Click the [Other] menu → [Firmware Update].

Firmware for updating can be downloaded from the following Panasonic Professional Display and Projector Technical Support Website. If firmware newer than the current firmware has been released, you can update the firmware yourself.

Specify the save location and download firmware data (compressed file in ZIP format) and then extract it. Firmware data that can be used for the update is generated (file in ROM format).

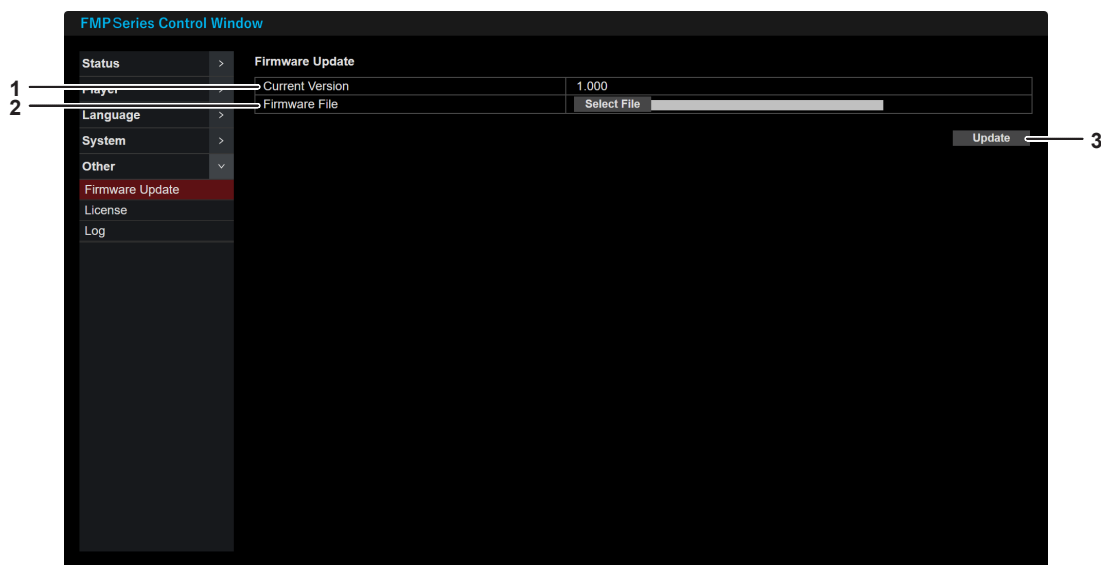
<https://panasonic.net/cns/projector/pass/>

File name (example)

- FMP_Update_1002.zip (After extraction: FMP_Update_1002.rom)
(Firmware data for ET-FMP50/ET-FMP20 of version 1.002)

Note that you need to register and log in to PASS*1 to check whether there is a new firmware update and download firmware.

*1 PASS: Panasonic Professional Display and Projector Technical Support Website



1 [Current Version]

Displays the current firmware version.

2 [Firmware File]

If you click [Select File] and specify the firmware for the update, the selected file name is displayed.

3 [Update]

When this is clicked, a confirmation screen appears. If you select [Start], the firmware update starts.
When the update completes, the device reboots.

Attention

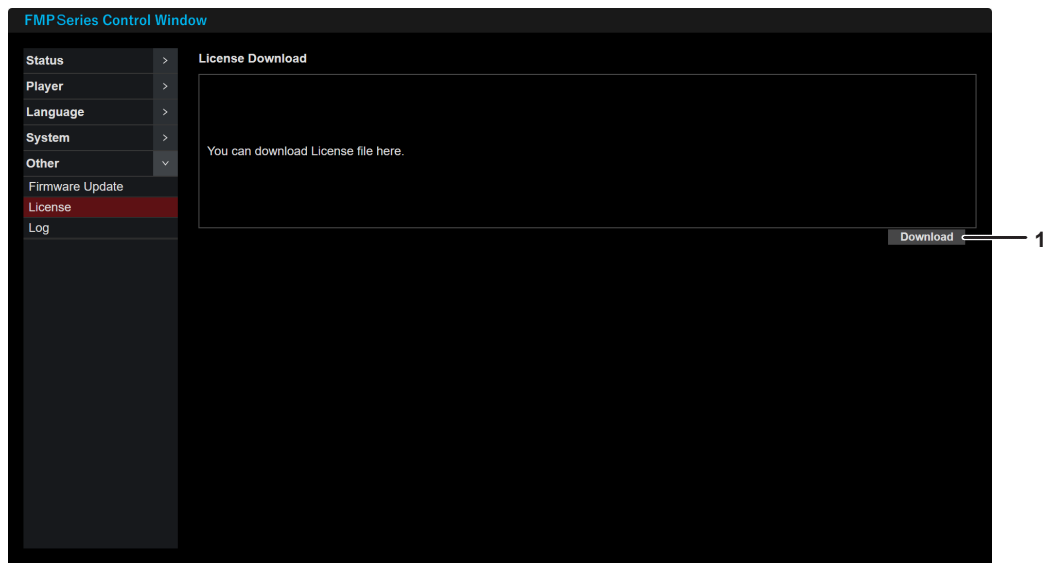
- Do not turn off the power of the device during the firmware update.

Note

- During a firmware update, an all black video signal is output from the <HDMI OUT 1> terminal or the <HDMI OUT 1> / <HDMI OUT 2> / <HDMI OUT 3> / <HDMI OUT 4> terminals.
- When the device reboots, the connection with the computer used for setup is disconnected.
- The power indicator <POWER> on the device front panel flashes in green during updating of the firmware. For details on status display with the power indicator <POWER>, refer to "Power indicator" (➡ page 29).

[License] page

This page allows you to download the document files related to the open-source software used by the device. Click the [Other] menu → [License].



1 [Download]

Click this to start downloading of the licenses. Specify the save location and then download the files.

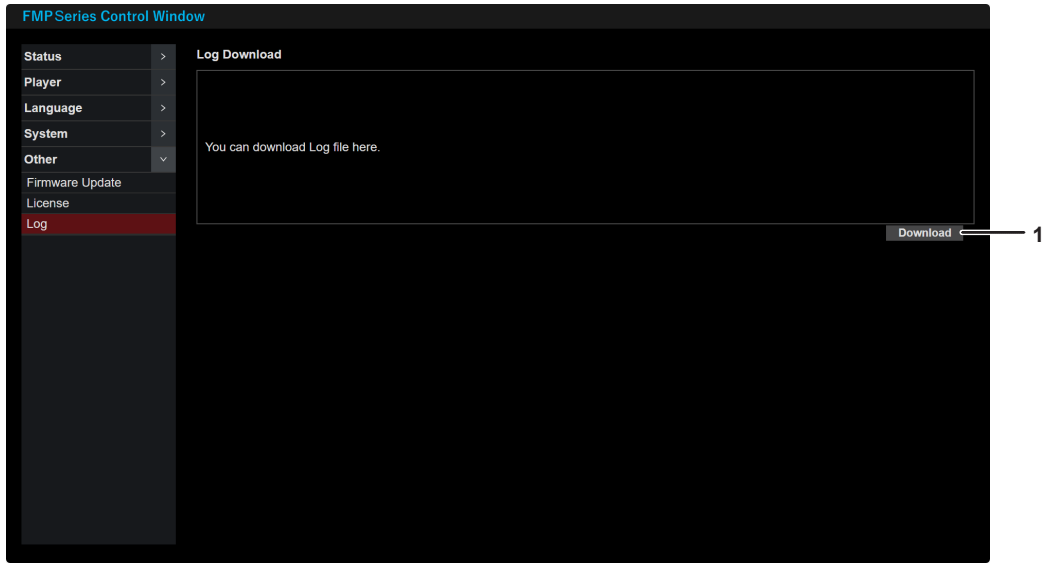
Note

- The license information is provided in text format, and is stored compressed in ZIP format in the firmware of the device.
File name: License.zip

[Log] page

Errors/warnings that have occurred on the device and the corresponding details are recorded to a file. You can check the error/warning occurrence dates and times and the details by checking the log file.

Click the [Other] menu → [Log].



1 [Download]

Click this to start downloading of the log file. Specify the save location and then download the files.

Note

- The error/warning occurrence logs are recorded in English to a text file, and the file is stored compressed in ZIP format.
File name: Log.zip (After extraction: FMP.log)
- Example of details in log file
2024/01/23 12:34:56.789 [WARNING] Intake air temp. warning(U201)
2024/01/23 12:34:56.789: Error/warning occurrence date and time
[WARNING]: Error/warning classification
U201: Error/warning number

Using the playback functions

Performing scheduled playback

You can play the content saved to the internal storage of this device according to a schedule that you have created.

"Schedule" here is a generic name for the set of all data required for scheduled playback on the device. It contains content such as still images and movies, the timetable defining the content to play back within the day, and the calendar defining the timetable to use by date.

To register content and create schedules, use the "Content Management Software for FMP series" application software. To download "Content Management Software for FMP series", log in to PASS on the following website and visit the download page for the software.

<https://panasonic.net/cns/projector/pass/>

■ Basic flow of operation

- 1) **Create a schedule.**
 - Create a schedule using "Content Management Software for FMP series".
- 2) **Output the schedule.**
 - Output the created schedule to the device.
- 3) **Check the settings of the device.**
 - Set [Player] of the [Player] menu → [Settings] page to [Schedule].
 - The content is played back following the created schedule according to the date and time of the device.

Note

- If a playlist is scheduled to play immediately after booting the device, start supplying power so that booting completes before the playlist playback start time. If booting does not complete in time for the playlist playback start time, playback may not be from the first content registered in the playlist.

Performing streaming playback

Video content delivered from a stream transmitter on the same network can be played back while importing the data to the device.

■ Basic flow of operation

- 1) **Check the settings of the device.**
 - Set [Player] on the [Player] menu → [Settings] page → [Player] to [NDI (NDI Decoder)].
- 2) **Start playback.**
 - Select a stream on the [Player] menu → [Stream List] page and then perform the playback setting operation.

Performing synchronized playback

When multiple units of this device are connected to the same network, you can perform synchronized playback of content.

Synchronized playback is achieved by the device set as the primary device specifying the start time on the devices set as the secondary devices via the network. This enables the playback timing offset between devices to be kept within one frame.

For details on the device connection configuration, refer to “Image of operation” (➡ page 32).

■ Key points on setting

- Configure the various settings of the device set as the primary device after finishing the various settings of the devices set as secondary devices.
- Check the number of units that will perform synchronized playback and then set [Unit] of each device. Set [Unit] on the [Player] menu → [Settings] page. (➡ page 38)
- Set [Primary / Secondary] of each device. (➡ page 38 and page 46)
The [Primary / Secondary] setting item is common between the following menus.
 - [Player] menu → [Settings] page → [Primary / Secondary]
 - [System] menu → [Date and Time] page → [Primary / Secondary]
- When performing synchronized playback, we recommend setting [Sync Protocol] to [SoftwareSync] as it has a high time synchronization accuracy. Set [Sync Protocol] to [NTP] for a network environment or operating environment in which synchronization between devices using the PTP (Network Time Protocol) method will not be performed. Set [Sync Protocol] on the [System] menu → [Date and Time] page. (➡ page 46)
- Set the same domain number for the devices to be synchronized. Set the domain number on the [Player] menu → [Settings] page → [Domain No.]. (➡ page 38)
- When performing synchronized playback with [Sync Protocol] set to [SoftwareSync], set only one of the devices set to the same domain number as the primary device. Set all of the other devices as secondary devices.
- When performing synchronized playback with [Sync Protocol] set to [NTP], set only one of the devices connected to the same network as the primary device. Set all of the other devices as secondary devices.
- To perform synchronized playback, the number of units of this device target for synchronized playback and the number of units set on the [Player] menu → [Settings] page → [Unit] of this device must match. If the actual number of units running on the network differs from the number of units in [Unit], content playback cannot start. If playback cannot start, check the [Unit] setting and the power state and network connection state of each device.

Note

- Do not change various settings of a device set as a secondary device during synchronized playback. Changing the settings may cause synchronized playback to end and video output to stop.
- If the setting of any of the items on the [Settings] page or [Date] page of a device set as a secondary device is changed during scheduled playback, scheduled playback of the corresponding device ends and video output stops. To again perform synchronized playback including the device for which video output stopped, click [Set] on the [Settings] page or [Date] page on the device set as the primary device.

Chapter 5 Appendix

This chapter describes maintenance procedures, inspection procedures, specifications, after-sales service, etc.

Maintenance

The air intake ports and the air exhaust ports may get clogged with dirt or dust after long period of usage. Clean the air intake ports/air exhaust ports periodically.

Before maintenance

- When you have finished using the device, remove the power plug from the outlet.

Maintenance

Wipe off dirt and dust on the outer case with a soft, dry cloth.

- When removing dirt and dust, do not drop them inside the device.
- If the dirt is persistent, soak the cloth with water and wring it thoroughly before wiping. Dry off the device with a dry cloth.
- Do not use benzene, thinner, solvent such as alcohol, or kitchen detergent for cleaning. When these materials are used for cleaning, ripping of the paint or discoloration may occur.
- When using chemically treated dust cloths, follow the instructions written on its packaging.

Troubleshooting

Review the following points. For details, see the corresponding pages.

Problems	Points to be checked	page
Power of the device does not turn on.	<ul style="list-style-type: none"> • Is the power plug firmly inserted into the outlet? • Is the power connector firmly inserted into the AC adapter? • Is the AC adapter plug firmly inserted into the device? • Is the outlet supplying electricity? • Have the circuit breakers tripped? • Is the power indicator blinking in red? 	— — — — — 29
Image is not output.	<ul style="list-style-type: none"> • Is this device connected with the projector correctly? • Does the projector operating properly? • Is the input of the projector selected correctly? • Are the following items set correctly? <ul style="list-style-type: none"> - [Player] of [Player] menu → [Settings] page - [Output Mode] of [Player] menu → [Settings] page • When performing synchronized playback, do the number of units set in the following item and the actual number of running units connected to the network match? <ul style="list-style-type: none"> - [Unit] of [Player] menu → [Settings] page • When performing synchronized playback, do the domain numbers of the devices match? 	24 — — 38 38 38
Sound is not output.	<ul style="list-style-type: none"> • Is this device connected correctly with the device that actually outputs sound? • Is sound output from the device? Is the sound muted? • If sound is being output from an HDMI terminal, set the audio of the connected device to linear PCM. 	24 40 —
Scheduled playback does not start.	<ul style="list-style-type: none"> • Are the following items set correctly? <ul style="list-style-type: none"> - [Player] menu → [Set] page → [Player] • Is the date and time set correctly in the following item? <ul style="list-style-type: none"> - [System] menu → [Date and Time] page 	38 46
Motion in images is unnatural.	<ul style="list-style-type: none"> • If the frequency of the image output signal from the device differs from the frequency of the playback content, the smoothness of movies may be lost. 	—
Image display and audio are out of sync.	<ul style="list-style-type: none"> • If the frequency of the image output signal from this device differs from the frequency of the playback content, image display and audio may be out of sync. • When using the <AUDIO OUT> terminal, is the following item set correctly? <ul style="list-style-type: none"> - [Player] menu → [Audio Control] page → [Delay] 	— 40
Frames are skipped while using the playback functions.	<ul style="list-style-type: none"> • Is a computer running “Geometry Manager Pro for FMP series” connected to the network? The operation of the playback functions may be affected if this software is left running. Before performing scheduled playback or streaming playback, exit “Geometry Manager Pro for FMP series”. • Frames will be skipped if network delays occur during the playback of streaming content compatible with NDI or if the load placed on this device exceeds its processing capacity. 	— —

Attention

- If problems persist even after checking the preceding points, consult your dealer.

About the Self-Diagnostics Display

If an error or warning has occurred on the device, its details are displayed in the [Error / Warning] item of the [Status] menu → [Status] page of the Web control screen. (➔ page 37)

The symbol displayed when an error or warning has occurred and the corresponding details are as shown in the following table. Check "Measure number" and then take the measure in "Measures to take for errors and warnings" (➔ page 58).

Error/warning number	Error/warning symbol details	Measure number
U200	CPU temperature warning	1
U201	Intake air temperature warning	1
U251	FPGA temperature warning	1
U301	Intake air error	1
U351	FPGA temperature error	1
F151	FPGA boot error	2
F161	Storage device communication error	2
F200, F201	Fan rotation speed warning	2
F300, F301	Fan rotation speed error	2
H001	Internal clock battery replacement	3

Note

- The displayed error/warning symbol and actual failure details may differ.
- If an error/warning shown in the table is displayed, consult your dealer.

Measures to take for errors and warnings

Measure number	Measure
1	The operating environment temperature may be too high or the air intake ports and air exhaust ports may be clogged. Use the device within an appropriate operating environment temperature range ^{*1} . Or, unclog the air intake ports and air exhaust ports. If the error/warning indication does not disappear after taking the appropriate measure, consult your dealer.
2	Turn the power off and then back on. If the indication is still displayed, consult your dealer.
3	The battery needs to be replaced. Consult your dealer.

*1 For details on the operating environment temperature range of this device, refer to "Operating environment" (➔ page 59).

Specifications

The specifications of this device are as follows.

Power supply		15.6 V ===	
Power consumption		64 W (including the supplied AC adapter)	
AC adapter		Input: AC 100 V - 240 V ~, 1.5 A, 50 Hz/60 Hz Output: 15.6 V ===, 7.05 A, 109.9 W	
Power cord length		2.0 m (78-3/4")	
Dimensions	Width	210 mm (8-9/32")	
	Height	54 mm (2-1/8")	
		44 mm (1-23/32") (excluding rubber feet)	
Depth	295 mm (11-5/8") (excluding protrusions)		
Weight*1		Main body: approx. 2.0 kg (4.4 lbs.) AC adapter: approx. 0.4 kg (0.9 lbs.) (excluding power cord)	
Operating environment	Operating temperature	0 °C (32 °F) to 40 °C (104 °F)	
	Operating humidity	10 % to 80 % (no condensation)	
Storage		ET-FMP50	4 TB
		ET-FMP20	512 GB Approx. 30 GB of this is used as the system area. (Cannot be used by the user.)
Terminals	<HDMI OUT 1> terminal <HDMI OUT 2> terminal <HDMI OUT 3> terminal <HDMI OUT 4> terminal	HDMI x 4 Audio signal: Linear PCM (sampling frequency: 44.1 kHz/48 kHz)	
	<AUDIO OUT> terminal	M3 stereo mini jack x 1 0 V [rms] to 2.0 V [rms] (variable), output impedance 2.2 kΩ or lower	
	<LAN> terminal	RJ-45 x 1 For network connection 10Base-T/100Base-TX/1000Base-T	
Video output signals	<HDMI OUT 1> terminal	3 840 x 2 160/60p, 3 840 x 2 160/50p, 1 920 x 1 080/60p, 1 920 x 1 080/50p Color format: RGB Color depth: 8-bit	When [Output Mode] ² is set to [1]
		1 920 x 1 080/60p, 1 920 x 1 080/50p Color format: RGB Color depth: 8-bit	When [Output Mode] ² is set to [4]
	<HDMI OUT 2> terminal <HDMI OUT 3> terminal <HDMI OUT 4> terminal	1 920 x 1 080/60p, 1 920 x 1 080/50p Color format: RGB, color depth: 8-bit	
Content compatible with scheduled playback		Schedule data created in Content Management Software (Content Management Software for FMP series) ³	
Content compatible with streaming playback	NDI	Image compression method	High Bandwidth NDI
		Image resolution / frame rate	1 920 × 1 080 / 60 fps, 1 920 × 1 080 / 50 fps
		Audio signal	Linear PCM and sampling frequency: 44.1 kHz / 48 kHz, 16 bit, 2 channels

*1 Average value. The weight may differ for each product.

*2 Set this in the [Player] → [Settings] page on the Web control screen.

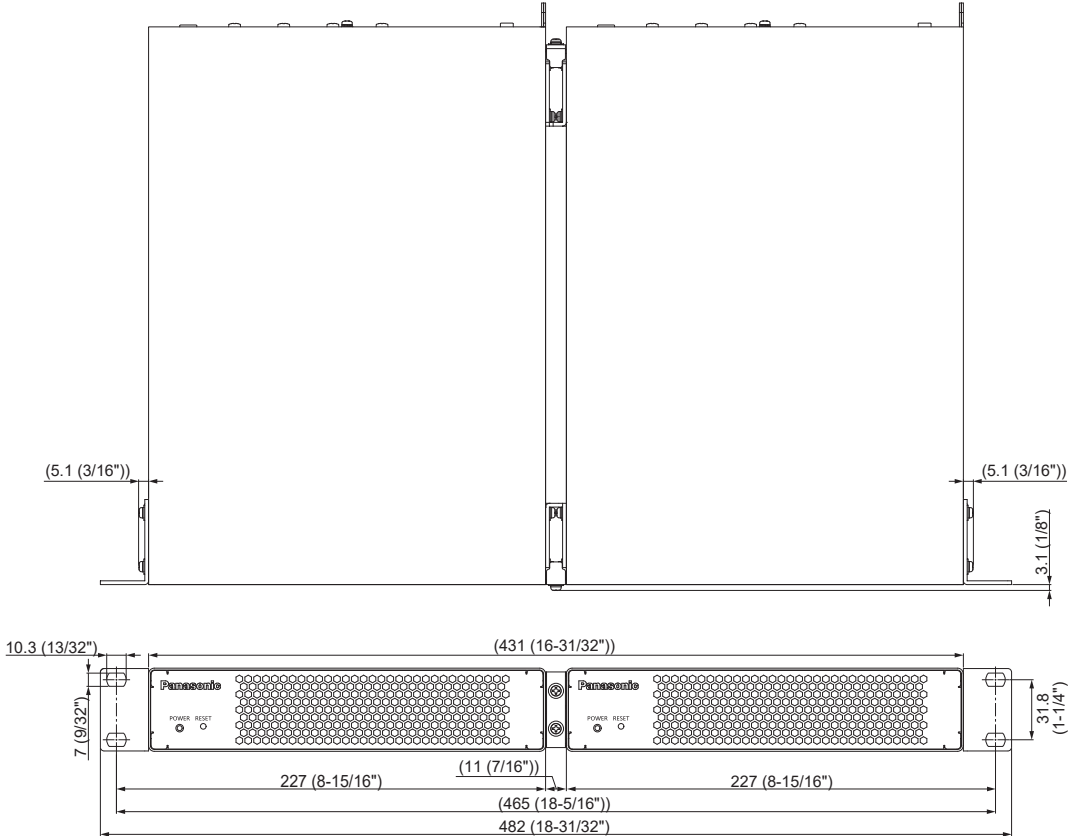
*3 This is the set of all data required for scheduled playback on the device. It contains content such as still images and movies, the calendar including the settings for each day, and the timetable defining what to play back within the day.
If the resolution of the content to be used for scheduled playback differs from the output resolution of the device, the resolution is changed and then the content is output.

The audio codec of the content to be used for scheduled playback is MPEG4 AAC-LC, but it is converted to linear PCM and then the content is output from the device.

For details on the still image and movie content compatible with scheduled playback, refer to the operating instructions for "Content Management Software (Content Management Software for FMP series)". For the operating instructions for "Content Management Software (Content Management Software for FMP series)", log in to PASS on the following website and visit the download page for the software.

<https://panasonic.net/cns/projector/pass/>

■ When the Rack Mounting Kit (model no.: ET-PKFMJ2) is attached



Index

A		Setting up 18
AC adapter 26		Considerations 12
Connect 26		High place 21
Accessories 14		Setup 33
Account 33, 35		Specifications 59
[Account] page 45		[Status] menu 37
[Advanced Settings] page 42		[Status] page 37
[Audio Control] page 40		Storage 14
<AUDIO OUT> terminal 15		Streaming playback 53
		[Stream List] page 41
B		Supported applications 13
Before requesting repair 57		Synchronized playback 54
		[System] menu 44
C		
Computer 31, 33		U
Connecting 24		<USB> terminals 15
Considerations for transportation 12		
D		W
[Date and Time] page 46		Web browser 31, 33, 35
<DC IN> terminal 15		Web control function 31
[Details] page 49		Wire (for drop prevention) 23
Disposal 14		
F		
Features 10		
[Firmware Update] page 50		
H		
<HDMI OUT 1> terminal 15		
<HDMI OUT 2> terminal 15		
<HDMI OUT 3> terminal 15		
<HDMI OUT 4> terminal 15		
I		
[Initialize] page 47		
L		
LAN cable 31, 33		
[Language] menu 43		
[Language] page 43		
<LAN> terminal 15		
[License] page 51		
[Log] page 52		
M		
Maintenance 56		
Measures to take for errors and warnings 58		
N		
[Network] page 44		
O		
Optional accessories 14		
[Other] menu 50		
P		
Playback 53		
[Player] menu 38, 40, 41, 42		
Power 26		
Power indicator <POWER> 15, 29		
Precautions for use 12		
Projector 24		
R		
Rack 18		
Mounting one device 19		
Mounting two devices 20		
Read this first! 3		
[Reboot] page 48		
<RESET> button 15		
S		
Scheduled playback 53		
Self-diagnostics display 58		
[Settings] page 38		

■ Indication of the manufacturer and the importer with EU Directive requirements

English	<p>Manufactured by: Panasonic Connect Co., Ltd. 4-1-62 Minoshima, Hakata-ku, Fukuoka 812-8531, Japan</p> <p>Importer: Panasonic Connect Europe GmbH Hagenauer Strasse 43, 65203 Wiesbaden, Germany</p> <p>Authorized Representative in EU: Panasonic Connect Europe GmbH Panasonic Testing Centre Winsbergring 15, 22525 Hamburg, Germany</p>
Български	<p>Производител: Panasonic Connect Co., Ltd. 4-1-62, Minoshima, Hakata-ku, Fukuoka 812-8531, Япония</p> <p>Вносител: Panasonic Connect Europe GmbH Hagenauer Strasse 43, 65203 Wiesbaden, Германия</p> <p>Упълномощен представител в ЕС: Panasonic Connect Europe GmbH Panasonic Testing Centre Winsbergring 15, 22525 Hamburg, Германия</p>
Čeština	<p>Vyrobil: Panasonic Connect Co., Ltd. 4-1-62, Minoshima, Hakata-ku, Fukuoka 812-8531, Japonsko</p> <p>Dovozce: Panasonic Connect Europe GmbH Hagenauer Strasse 43, 65203 Wiesbaden, Německo</p> <p>Oprávněný zástupce v EU: Panasonic Connect Europe GmbH Panasonic Testing Centre Winsbergring 15, 22525 Hamburg, Německo</p>
Српски	<p>Произведен од: Panasonic Connect Co., Ltd. 4-1-62, Minoshima, Hakata-ku, Fukuoka 812-8531, Јапан</p> <p>Увозник: Panasonic Connect Europe GmbH Hagenauer Strasse 43, 65203 Wiesbaden, Немачка</p> <p>Овлашћени представник у ЕУ: Panasonic Connect Europe GmbH Panasonic Testing Centre Winsbergring 15, 22525 Hamburg, Немачка</p>
Dansk	<p>Fremstillet af: Panasonic Connect Co., Ltd. 4-1-62, Minoshima, Hakata-ku, Fukuoka 812-8531, Japan</p> <p>Importør: Panasonic Connect Europe GmbH Hagenauer Strasse 43, 65203 Wiesbaden, Tyskland</p> <p>Autoriseret repræsentant i EU: Panasonic Connect Europe GmbH Panasonic Testing Centre Winsbergring 15, 22525 Hamburg, Tyskland</p>
Deutsch	<p>Hergestellt von: Panasonic Connect Co., Ltd. 4-1-62, Minoshima, Hakata-ku, Fukuoka 812-8531, Japan</p> <p>Importeur: Panasonic Connect Europe GmbH Hagenauer Strasse 43, 65203 Wiesbaden, Deutschland</p> <p>Vertretungsberechtigter in der EU: Panasonic Connect Europe GmbH Panasonic Testing Centre Winsbergring 15, 22525 Hamburg, Deutschland</p>
Eesti	<p>Tootja: Panasonic Connect Co., Ltd. 4-1-62, Minoshima, Hakata-ku, Fukuoka 812-8531, Jaapan</p> <p>Maaletooja: Panasonic Connect Europe GmbH Hagenauer Strasse 43, 65203 Wiesbaden, Saksamaa</p> <p>Volitatud esindaja ELis: Panasonic Connect Europe GmbH Panasonic Testing Centre Winsbergring 15, 22525 Hamburg, Saksamaa</p>

Ελληνικά	<p>Κατασκευάστηκε από: Panasonic Connect Co., Ltd. 4-1-62, Minoshima, Hakata-ku, Fukuoka 812-8531, Ιαπωνία</p> <p>Εισαγωγέας: Panasonic Connect Europe GmbH Hagenauer Strasse 43, 65203 Wiesbaden, Γερμανία</p> <p>Εξουσιοδοτημένος αντιπρόσωπος στην ΕΕ: Panasonic Connect Europe GmbH Panasonic Testing Centre Winsbergring 15, 22525 Hamburg, Γερμανία</p>
Español	<p>Fabricado por: Panasonic Connect Co., Ltd. 4-1-62, Minoshima, Hakata-ku, Fukuoka 812-8531, Japón</p> <p>Importador: Panasonic Connect Europe GmbH Hagenauer Strasse 43, 65203 Wiesbaden, Alemania</p> <p>Representante Autorizado para la UE: Panasonic Connect Europe GmbH Panasonic Testing Centre Winsbergring 15, 22525 Hamburgo, Alemania</p>
Français	<p>Fabriqué par : Panasonic Connect Co., Ltd. 4-1-62, Minoshima, Hakata-ku, Fukuoka 812-8531, Japon</p> <p>Importateur : Panasonic Connect Europe GmbH Hagenauer Strasse 43, 65203 Wiesbaden, Allemagne</p> <p>Représentant autorisé dans l'UE : Panasonic Connect Europe GmbH Panasonic Testing Centre Winsbergring 15, 22525 Hambourg, Allemagne</p>
Hrvatski	<p>Proizvodi: Panasonic Connect Co., Ltd. 4-1-62, Minoshima, Hakata-ku, Fukuoka 812-8531, Japan</p> <p>Uvoznik: Panasonic Connect Europe GmbH Hagenauer Strasse 43, 65203 Wiesbaden, Njemačka</p> <p>Ovlašteni zastupnik u EU-u: Panasonic Connect Europe GmbH Panasonic Testing Centre Winsbergring 15, 22525 Hamburg, Njemačka</p>
Íslenskur	<p>Framleitt af: Panasonic Connect Co., Ltd. 4-1-62, Minoshima, Hakata-ku, Fukuoka 812-8531, Japan</p> <p>Innflytjandi: Panasonic Connect Europe GmbH Hagenauer Strasse 43, 65203 Wiesbaden, Þýskalandi</p> <p>Viðurkenndur fulltrúi í ESB: Panasonic Connect Europe GmbH Panasonic Testing Centre Winsbergring 15, 22525 Hamburg, Þýskalandi</p>
Italiano	<p>Fabbricato da: Panasonic Connect Co., Ltd. 4-1-62, Minoshima, Hakata-ku, Fukuoka 812-8531, Giappone</p> <p>Importatore: Panasonic Connect Europe GmbH Hagenauer Strasse 43, 65203 Wiesbaden, Germania</p> <p>Rappresentante autorizzato nell'UE: Panasonic Connect Europe GmbH Panasonic Testing Centre Winsbergring 15, 22525 Amburgo, Germania</p>
Latviešu	<p>Ražotājs: Panasonic Connect Co., Ltd. 4-1-62, Minoshima, Hakata-ku, Fukuoka 812-8531, Japāna</p> <p>Importētājs: Panasonic Connect Europe GmbH Hagenauer Strasse 43, 65203 Wiesbaden, Vācija</p> <p>Oficiālais pārstāvis ES: Panasonic Connect Europe GmbH Panasonic Testing Centre Winsbergring 15, 22525 Hamburg, Vācija</p>

Lietuvių	<p>Gamintojas: Panasonic Connect Co., Ltd. 4-1-62, Minoshima, Hakata-ku, Fukuoka 812-8531, Japonija</p> <p>Importuotojas: Panasonic Connect Europe GmbH Hagenauer Strasse 43, 65203 Wiesbaden, Vokietija</p> <p>Įgaliotasis atstovas ES: Panasonic Connect Europe GmbH Panasonic Testing Centre Winsbergring 15, 22525 Hamburgas, Vokietija</p>
Magyar	<p>Gyártotta: Panasonic Connect Co., Ltd. 4-1-62, Minoshima, Hakata-ku, Fukuoka 812-8531, Japán</p> <p>Importőr: Panasonic Connect Europe GmbH Hagenauer Strasse 43, 65203 Wiesbaden, Németország</p> <p>Hivatalos képviselő az EU-ban: Panasonic Connect Europe GmbH Panasonic Testing Centre Winsbergring 15, 22525 Hamburg, Németország</p>
Nederlands	<p>Geproduceerd door: Panasonic Connect Co., Ltd. 4-1-62, Minoshima, Hakata-ku, Fukuoka 812-8531, Japan</p> <p>Importeur: Panasonic Connect Europe GmbH Hagenauer Strasse 43, 65203 Wiesbaden, Duitsland</p> <p>Bevoegde vertegenwoordiger in de EU: Panasonic Connect Europe GmbH Panasonic Testing Centre Winsbergring 15, 22525 Hamburg, Duitsland</p>
Norsk	<p>Produsert av: Panasonic Connect Co., Ltd. 4-1-62, Minoshima, Hakata-ku, Fukuoka 812-8531, Japan</p> <p>Importør: Panasonic Connect Europe GmbH Hagenauer Strasse 43, 65203 Wiesbaden, Tyskland</p> <p>Autorisert representant i EU: Panasonic Connect Europe GmbH Panasonic Testing Centre Winsbergring 15, 22525 Hamburg, Tyskland</p>
Polski	<p>Wyprodukowano przez: Panasonic Connect Co., Ltd. 4-1-62, Minoshima, Hakata-ku, Fukuoka 812-8531, Japonia</p> <p>Importer: Panasonic Connect Europe GmbH Hagenauer Strasse 43, 65203 Wiesbaden, Niemcy</p> <p>Upoważniony przedstawiciel w UE: Panasonic Connect Europe GmbH Panasonic Testing Centre Winsbergring 15, 22525 Hamburg, Niemcy</p>
Português	<p>Fabricado por: Panasonic Connect Co., Ltd. 4-1-62, Minoshima, Hakata-ku, Fukuoka 812-8531, Japão</p> <p>Importador: Panasonic Connect Europe GmbH Hagenauer Strasse 43, 65203 Wiesbaden, Alemanha</p> <p>Representante Autorizado na UE: Panasonic Connect Europe GmbH Panasonic Testing Centre Winsbergring 15, 22525 Hamburgo, Alemanha</p>
Română	<p>Fabricat de: Panasonic Connect Co., Ltd. 4-1-62, Minoshima, Hakata-ku, Fukuoka 812-8531, Japonia</p> <p>Importator: Panasonic Connect Europe GmbH Hagenauer Strasse 43, 65203 Wiesbaden,, Germania</p> <p>Reprezentant autorizat în UE: Panasonic Connect Europe GmbH Panasonic Testing Centre Winsbergring 15, 22525 Hamburg, Germania</p>

Slovenčina	<p>Výrobca: Panasonic Connect Co., Ltd. 4-1-62, Minoshima, Hakata-ku, Fukuoka 812-8531, Japonsko</p> <p>Dovozca: Panasonic Connect Europe GmbH Hagenauer Strasse 43, 65203 Wiesbaden, Nemecko</p> <p>Autorizovaný zástupca v EÚ: Panasonic Connect Europe GmbH Panasonic Testing Centre Winsbergring 15, 22525 Hamburg, Nemecko</p>
Slovenščina	<p>Proizvajaja: Panasonic Connect Co., Ltd. 4-1-62, Minoshima, Hakata-ku, Fukuoka 812-8531, Japonska</p> <p>Uvoznik: Panasonic Connect Europe GmbH Hagenauer Strasse 43, 65203 Wiesbaden, Nemčija</p> <p>Pooblaščen zastopnik v EU: Panasonic Connect Europe GmbH Panasonic Testing Centre Winsbergring 15, 22525 Hamburg, Nemčija</p>
Suomi	<p>Valmistaja: Panasonic Connect Co., Ltd. 4-1-62, Minoshima, Hakata-ku, Fukuoka 812-8531, Japani</p> <p>Maahantuoja: Panasonic Connect Europe GmbH Hagenauer Strasse 43, 65203 Wiesbaden, Saksa</p> <p>Valtuutettu edustaja EU:ssa: Panasonic Connect Europe GmbH Panasonic Testing Centre Winsbergring 15, 22525 Hampuri, Saksa</p>
Svenska	<p>Tillverkad av: Panasonic Connect Co., Ltd. 4-1-62, Minoshima, Hakata-ku, Fukuoka 812-8531, Japan</p> <p>Importör: Panasonic Connect Europe GmbH Hagenauer Strasse 43, 65203 Wiesbaden, Tyskland</p> <p>Auktoriserad representant i EU: Panasonic Connect Europe GmbH Panasonic Testing Centre Winsbergring 15, 22525 Hamburg, Tyskland</p>
Türkçe	<p>Tarafından üretildi: Panasonic Connect Co., Ltd. 4-1-62 Minoshima, Hakata-ku, Fukuoka 812-8531, Japonya</p> <p>İthalatçı: Panasonic Connect Europe GmbH Hagenauer Strasse 43, 65203 Wiesbaden, Almanya</p> <p>AB Yetkili Temsilcisi: Panasonic Connect Europe GmbH Panasonic Testing Centre Winsbergring 15, 22525 Hamburg, Almanya</p>

Manufactured by:

Panasonic Connect Co., Ltd.
4-1-62 Minoshima, Hakata-ku, Fukuoka 812-8531, Japan

Importer:

Panasonic Connect Europe GmbH
Hagenauer Strasse 43, 65203 Wiesbaden, Germany

Authorized Representative in EU:

Panasonic Connect Europe GmbH
Panasonic Testing Centre
Winsbergring 15, 22525 Hamburg, Germany

Importer for UK;

Panasonic Connect UK,
a branch of Panasonic Connect Europe GmbH,
Maxis 2, Western Road, Bracknell, Berkshire, RG12 1RT

**Disposal of Old Equipment and Batteries****Only for European Union and countries with recycling systems**

This symbol on the products, packaging, and/or accompanying documents mean that used electrical and electronic products and batteries must not be mixed with general household waste. For proper treatment, recovery and recycling of old products and used batteries, please take them to applicable collection points in accordance with your national legislation.



By disposing of them correctly, you will help to save valuable resources and prevent any potential negative effects on human health and the environment. For more information about collection and recycling, please contact your local authority. Penalties may be applicable for incorrect disposal of this waste, in accordance with national legislation.

**Note for the battery symbol (bottom symbol):**

This symbol might be used in combination with a chemical symbol. In this case it complies with the requirement set by the Directive for the chemical involved.

Product Information (for Turkey only)

AEEE Yönetmeliğine Uygundur.

Panasonic Connect Co., Ltd.

Web Site : <https://panasonic.net/cns/projector/>

© Panasonic Connect Co., Ltd. 2024

Panasonic Connect North America

Two Riverfront Plaza, Newark, NJ 07102

TEL: (877) 803 - 8492

Panasonic Canada Inc.

5770 Ambler Drive, Mississauga, Ontario L4W 2T3

TEL: (905) 624 - 5010