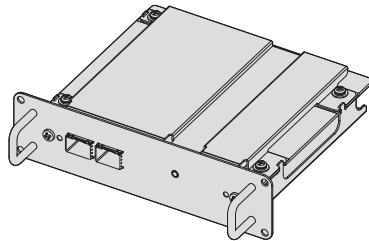


# Panasonic®

## Operating Instructions Basic Guide

Interface Board for 12G-SDI Optical Commercial Use

Model No. **ET-MDNFB10**



ENGLISH

FRANÇAIS

日本語

### Read before use

For more information regarding the operations of the projector with this product installed, please refer to the “Operating Instructions – Functional Manual”. For downloading the “Operating Instructions – Functional Manual”, visit the following URL.

<https://docs.connect.panasonic.com/projector>

Thank you for purchasing this Panasonic product.

- Before using this product, please read these “Operating Instructions” and the “Operating Instructions” of the projector carefully and save the manuals for future use.
- Before using this product, be sure to read “Read this first!” (➔ page 3).

**4K**  
PROFESSIONAL

ENGLISH

DPQX1448ZC/X1

# Contents

---

<b>Read this first!</b> .....	<b>3</b>
<b>Precautions for use</b> .....	<b>4</b>
Supported projector .....	4
Supported SFP module .....	5
Handling of the product .....	5
Disposal .....	5
Accessories .....	6
Part names and functions .....	7
<b>Installing the Interface Board</b> .....	<b>8</b>
Before installing or removing the Interface Board .....	8
How to install the Interface Board .....	9
How to remove the Interface Board .....	10
<b>Installing the SFP module</b> .....	<b>11</b>
How to install the SFP module .....	11
How to remove the SFP module .....	12
<b>Connecting example</b> .....	<b>13</b>
<b>Specifications</b> .....	<b>14</b>

# Read this first!

## **WARNING:**

**Do not spill water on this product or allow this product to get wet.**

Doing so may cause electric shock, fire, or malfunction due to short circuit or overheating.

- Do not place a container with liquid close to this product.
- Consult your dealer when liquid such as water is spilled on this product.

**Do not place the supplied port covers and screws in a location that a child can reach.**

Accidentally swallowing them can cause a physical harm.

- Seek a medical advice immediately if a child might have swallowed them.

**Do not disassemble or modify.**

Doing so may cause electric shock or fire. It may also cause a malfunction.

## **CAUTION:**

**Do not place this product in a location with excessive humidity or dust, or in a location exposed to oil smoke or steam.**

Doing so may cause fire or electric shock.

**Do not place this product in extremely hot location.**

Doing so may deteriorate the part, or may cause fire.

- Do not install or store in a location with direct sunlight or close to the heating device, etc.

**Disconnect the power plug from the wall outlet before installing or removing this product to/from the projector.**

Failure to do so may cause electric shock.

The SFP module to be attached to this product is a Class 1 laser product. Do not look at the SFP module or the connector of the optical fiber cable while the projector is turned on. The laser beam may enter the eyes and cause damage to the eyes.

# Precautions for use

This product is a 12G-SDI signal compatible Interface Board equipped with two ports that can install the SFP (Small Form-Factor Pluggable)/SFP+ module (referred to as “SFP module” hereinafter). By installing this product to the projector manufactured by Panasonic Projector & Display Corporation, long-distance transmission of the SDI signal via optical fiber cable will be possible without a separate converter to convert from optical signal to electric signal.

## Supported projector

This product can be used with following projectors. However, this product cannot be used if the main version of the firmware of the projector is earlier than the following compatible firmware version. Use the product after updating the projector to the latest firmware.

Supported projector	Compatible firmware version (Main version)
PT-RQ50K	2.00 or later
PT-RQ32K	4.00 or later
PT-RQ22K	4.04 or later*1
PT-RCQ10, PT-RCQ80	2.00 or later

\*1 The <SDI OPT 1/2 OUT> terminal cannot be set as output if using PT-RQ22K with the main version of the firmware earlier than 4.06.

For details of output setting, refer to the [DISPLAY OPTION] menu → [SLOT IN] → [SDI OPT 1/2 OUT].

(As of March 2020)

## Note

- This manual omits the alphabets at the end of projector model numbers.
- This product may support the projectors that are not described in the table. Confirm the “Operating Instructions – Functional Manual” of this product or the “Operating Instructions” of the projector. The “Operating Instructions – Functional Manual” of this product can be found on the following URL.  
<https://docs.connect.panasonic.com/projector>
- The main version of the firmware can be confirmed in the on-screen menu of the [PROJECTOR SETUP] menu → [STATUS].
- For the update procedure of the firmware, access the latest information regarding the firmware in the PASS website (<https://docs.connect.panasonic.com/projector/pass/>). It is necessary to register and login to PASS\*1 to access the PASS website.

\*1 PASS: Panasonic Professional Display and Projector Technical Support Website

## Supported SFP module

---

The 12G-SDI/6G-SDI/3G-SDI/HD-SDI compatible optical fiber SFP module that is compliant with MSA (Multi-Source Agreement), and the optical fiber SFP module that the operation has been verified with the projector manufactured by Panasonic Projector & Display Corporation.

- Receiver (for receiving)
- Transmitter (for sending)
- Transceiver (for sending and receiving)

### Note

---

---

- Operation of the sending function is restricted depending on the port where the SFP module is installed.
- Prepare the commercially available SFP module and the optical fiber cable required for connection according to the usage, video signal to be input, specification of the external device to be connected, etc.
- The SFP module that the operation has been verified with the projector manufactured by Panasonic Projector & Display Corporation can be confirmed from the following URL.  
<https://docs.connect.panasonic.com/projector>  
Confirmation of operation for SFP module from other manufacturer has been performed with the items set independently by Panasonic Projector & Display Corporation, and not all the operations are warranted. For operation or performance problems caused by the SFP module, contact the respective manufacturers.

## Handling of the product

---

### ■ Do not touch the connector section of the Interface Board directly with your hands

The component may be damaged by the static electricity. Before handle this product, remove the charge in the body by touching the surrounding metal, etc.

### ■ Do not look into the connector of the SFP module.

The SFP module to be installed on this product is a Class 1 laser product. Do not look into the SFP module or the connector of the optical fiber cable with the power of the projector turned on. Your eyes may be damaged when the laser goes into your eyes.

## Disposal

---

To dispose of the product, ask your local authorities or dealer for correct methods of disposal.

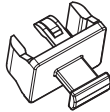
## Accessories

---

Make sure that the following accessories are provided with the product. Numbers enclosed in < > show the number of accessories.

---

**Port cover <2>**  
(DVHR1128ZA/X1)



**Screw <4>**  
(XSB3+8FN)



(Attached to the product at the time  
of purchase)

### Attention

---

---

- After unpacking the product, discard the packaging material properly.
- For missing accessories, consult your dealer.
- Store small parts in an appropriate manner, and keep them away from small children.

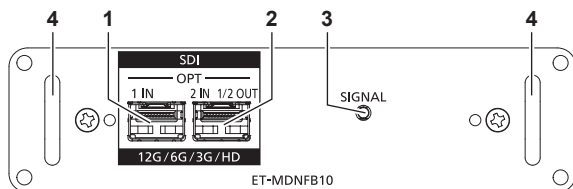
### Note

---

---

- Supplied screws are spare parts. Use them when the screws to fix the slot cover of the projector are lost.
- The model numbers of accessories are subject to change without prior notice.

## Part names and functions



### 1 SFP port 1

This is the port to install the SFP module for receiving.

### 2 SFP port 2

This is the port to install the SFP module for sending and receiving.

### 3 Input indicator <SIGNAL>

This is the indicator to indicate the detection state of the video signal. This is illuminated when input of the video signal is detected in either or both of the <SDI OPT 1 IN> terminal and the <SDI OPT 2 IN> terminal.

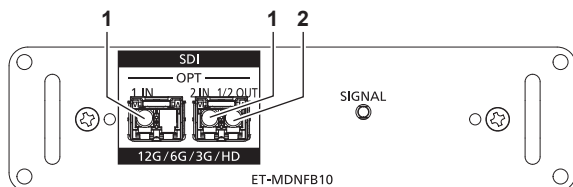
### 4 Handle

## Note

- The sending function of the SFP module for sending or for sending and receiving will not operate when it is installed in the SFP port 1.
- In addition to the SFP module for sending and receiving, the SFP module for receiving or for sending can be installed in the SFP port 2.

## ■ When the SFP modules are installed

This is an example when the SFP module for receiving (LC connector) is installed in the SFP port 1, and the SFP module for sending and receiving (LC connector) is installed in the SFP port 2.



### 1 <SDI OPT 1 IN> terminal/<SDI OPT 2 IN> terminal

These are terminals to input SDI signal (optical signal).

### 2 <SDI OPT 1/2 OUT> terminal

This is an active through terminal to output the signal input to the <SDI OPT 1 IN> terminal/<SDI OPT 2 IN> terminal.

## Note

- The input signal to the <SDI OPT 1 IN> terminal or the <SDI OPT 2 IN> terminal that is selected for input is output from the <SDI OPT 1/2 OUT> terminal.

# Installing the Interface Board

---

Requesting a qualified technician to install or remove the Interface Board to the projector is recommended. A malfunction may occur due to static electricity. Consult your dealer.

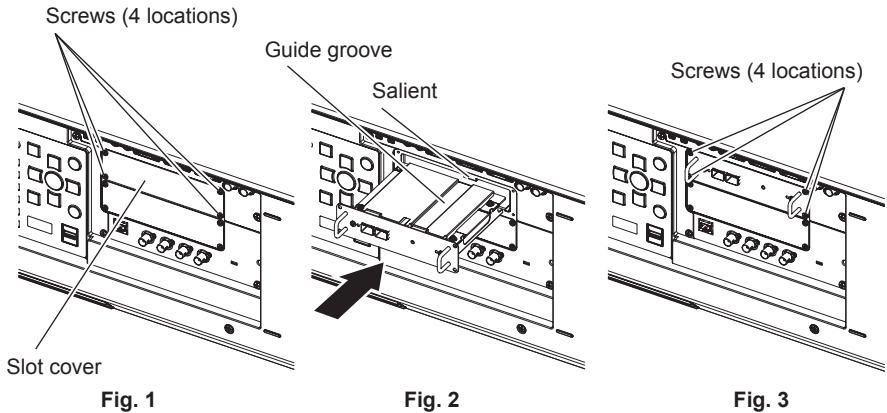
## Before installing or removing the Interface Board

---

- Always turn off the power of the projector before installing or removing the Interface Board.
  - When turning off the projector, make sure to follow the procedures described in the “Operating Instructions” of the projector.
- Do not touch the connector section of the Interface Board directly with your hands.
  - The component may be damaged by the static electricity.
- Remove the static electricity from your body by touching to surrounding metal, etc., in advance to prevent the static electricity damage.
- Take care not to get injured when installing or removing the Interface Board.
  - Hands may be injured by the opening of the empty slot of the projector, the edge of the bracket of the Interface Board, socket of the SFP port, etc.
- When installing the Interface Board to the slot, insert it into the connector straight and slowly.
  - It may not operate or cause malfunction if it is not correctly installed.
- The illustrations in the procedure are examples when installing the Interface Board in PT-RQ22K.



## How to install the Interface Board



### 1) Remove the slot cover. (Fig. 1)

- Remove the four screws fixing the slot cover of the projector by rotating counterclockwise with a Phillips screwdriver. The removed screws are used to fix the Interface Board.
- When removing the fourth screw, hold the slot cover with your hand so it will not fall.
- To replace from other Interface Board, remove the Interface Board following the procedure in “How to remove the Interface Board” (➔ page 10).

### 2) Install the Interface Board to the projector. (Fig. 2)

- Insert the guide groove of the Interface Board aligned to the salient of the slot. Insert the bracket firmly all the way in.

### 3) Fix the Interface Board. (Fig. 3)

- Tighten and fix with the four screws removed in Step 1).

### Attention

- The removed slot cover is required when the unnecessary Interface Board is removed. Store it so it can be attached in the future.

## How to remove the Interface Board

---

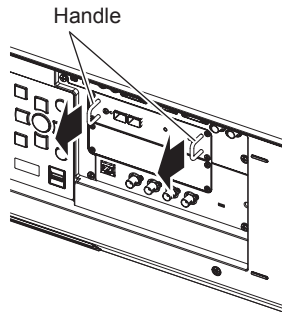


Fig. 1

### 1) Remove the Interface Board. (Fig. 1)

- Remove the four screws fixing the Interface Board by rotating counterclockwise with a Phillips screwdriver. The removed screws are used to fix the slot cover.
- Hold the handle of the Interface Board and remove it slowly.

### 2) Attach the slot cover.

- Attach the stored slot cover to the empty slot, and tighten and fix with the four screws removed in Step 1).

### Attention

---

---

- Always attach the slot cover on the empty slot.
- Store the removed Interface Board inside an antistatic bag.

# Installing the SFP module

This section explains an example of a procedure to install and remove the SFP module. Please also check the operating instructions and setup guide of the SFP module to be installed.

## How to install the SFP module

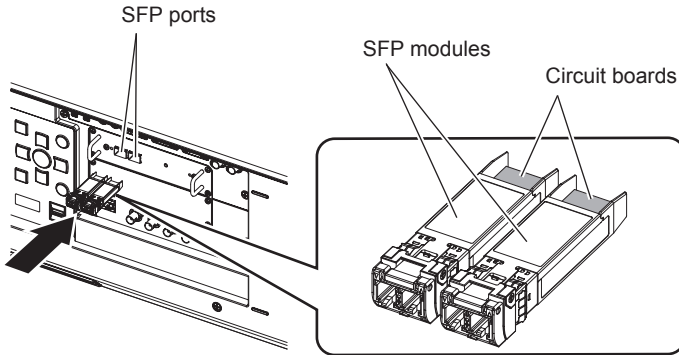


Fig. 1

### 1) Remove the port cover.

- Pull out the port cover of the SFP port.

### 2) Install the SFP module to the SFP port. (Fig. 1)

- With the circuit board of the SFP module visible from the top, securely insert the SFP module all the way.
- Remove the protection cap on the <SDI OPT 1 IN> terminal, <SDI OPT 2 IN> terminal, or <SDI OPT 1/2 OUT> terminal, if there is any, before using.

### Attention

- The removed port cover and the protection cap will be needed in following cases. Store them so that they can be attached in the future.
  - When the SFP module not required anymore is removed
  - When there is a terminal not to be used
  - When storing the SFP module

## How to remove the SFP module

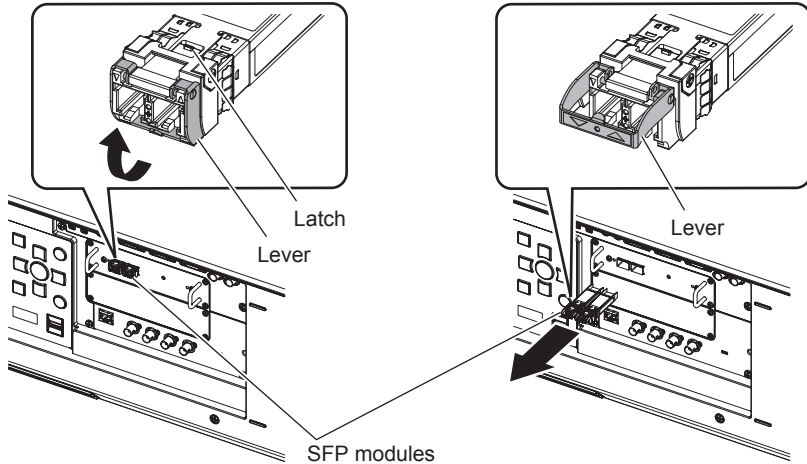


Fig. 1

Fig. 2

**1) Disconnect the optical fiber cable.**

- If the optical fiber cable is connected to the SFP module, remove the cable while releasing the latch of the optical fiber cable.

**2) Release the latch of the SFP module. (Fig. 1)**

- Pull up the lever on the SFP module to release the latch.

**3) Remove the SFP module. (Fig. 2)**

- Hold the lever and slowly pull out the SFP module.

### Attention

- Make sure to attach the port cover on the SFP port that the SFP module is not installed.
- Store the removed SFP module with the protection cap, etc., attached so that dust does not accumulate or the SFP module does not get dirty.

# Connecting example

12G-SDI signal output compatible device

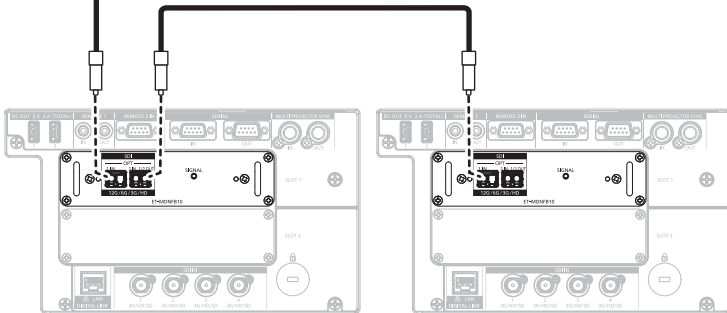


HD-SDI signal, 3G-SDI signal, 6G-SDI signal, or 12G-SDI signal



SDI - optical converter

Optical fiber cable



## Note

- Prepare the commercially available SFP module and the optical fiber cable required for connection according to the usage, video signal to be input, specification of the external device to be connected, etc.
- The transmission distance may become shorter and the image may not display correctly when there is dust on the connector of the SFP module or optical fiber cable, or it is dirty. Attach the protection cap or cover supplied by each product to the connector of the SFP module or the optical fiber cable if the optical fiber cable is not connected.

# Specifications

<b>Compatible slot</b>		SLOT NX specification	
<b>Connecting terminals</b>		Two SFP ports MSA compliant	
<b>Compatible signal</b>	<b>Input</b>	<b>Single link HD-SDI signal</b>	SMPTE ST 292 compliant
		<b>Single link 3G-SDI signal</b>	SMPTE ST 424, 425-2 compliant
		<b>Single link 6G-SDI signal</b>	SMPTE ST 2081-1, 2081-10 compliant
		<b>Single link 12G-SDI signal</b>	SMPTE ST 2082-1, 2082-10 compliant
	<b>Output</b>	The signal input to the <SDI OPT 1 IN> terminal or the <SDI OPT 2 IN> terminal is output from the <SDI OPT 1/2 OUT> terminal (active through output).	
<b>Dimensions</b>	<b>Width</b>	151 mm (5-15/16")	
	<b>Height</b>	38.5 mm (1-17/32")	
	<b>Depth</b>	142 mm (5-19/32")	
<b>Weight</b>		360 g (12.7 ozs.)	

## Note

- “SLOT NX” is a name of the slot unique to Panasonic Projector & Display Corporation supporting the signal input for the 4K image.
- For the video signals supported by this Interface Board, refer to “List of compatible signals” in the “Operating Instructions – Functional Manual” of this product.  
The video signal that the projector can actually display differs depending on the SFP module installed in the SFP port.  
The “Operating Instructions – Functional Manual” of this product can be found on the following URL.  
<https://docs.connect.panasonic.com/projector>

## ■ Indication of the manufacturer and the importer with EU Directive requirements

English	<p><b>Manufactured by:</b> Panasonic Projector &amp; Display Corporation 2-15 Matsuba-cho, Kadoma City, Osaka 571-8503, Japan <b>Importer:</b> Panasonic Connect Europe GmbH Hagenauer Strasse 43, 65203 Wiesbaden, Germany <b>Authorized Representative in EU:</b> Panasonic Connect Europe GmbH Panasonic Testing Centre Winsbergring 15, 22525 Hamburg, Germany</p>
Български	<p><b>Производител:</b> Panasonic Projector &amp; Display Corporation 2-15 Matsuba-cho, Kadoma City, Osaka 571-8503, Япония <b>Вносител:</b> Panasonic Connect Europe GmbH Hagenauer Strasse 43, 65203 Wiesbaden, Германия <b>Упълномощен представител в ЕС:</b> Panasonic Connect Europe GmbH Panasonic Testing Centre Winsbergring 15, 22525 Hamburg, Германия</p>
Čeština	<p><b>Vyrobil:</b> Panasonic Projector &amp; Display Corporation 2-15 Matsuba-cho, Kadoma City, Osaka 571-8503, Japonsko <b>Dovozce:</b> Panasonic Connect Europe GmbH Hagenauer Strasse 43, 65203 Wiesbaden, Německo <b>Oprávněný zástupce v EU:</b> Panasonic Connect Europe GmbH Panasonic Testing Centre Winsbergring 15, 22525 Hamburg, Německo</p>
Српски	<p><b>Произведен од:</b> Panasonic Projector &amp; Display Corporation 2-15 Matsuba-cho, Kadoma City, Osaka 571-8503, Јапан <b>Увозник:</b> Panasonic Connect Europe GmbH Hagenauer Strasse 43, 65203 Wiesbaden, Немачка <b>Овлашћени представник у ЕУ:</b> Panasonic Connect Europe GmbH Panasonic Testing Centre Winsbergring 15, 22525 Hamburg, Немачка</p>
Dansk	<p><b>Fremstillet af:</b> Panasonic Projector &amp; Display Corporation 2-15 Matsuba-cho, Kadoma City, Osaka 571-8503, Japan <b>Importør:</b> Panasonic Connect Europe GmbH Hagenauer Strasse 43, 65203 Wiesbaden, Tyskland <b>Autoriseret repræsentant i EU:</b> Panasonic Connect Europe GmbH Panasonic Testing Centre Winsbergring 15, 22525 Hamburg, Tyskland</p>
Deutsch	<p><b>Hergestellt von:</b> Panasonic Projector &amp; Display Corporation 2-15 Matsuba-cho, Kadoma City, Osaka 571-8503, Japan <b>Importeur:</b> Panasonic Connect Europe GmbH Hagenauer Strasse 43, 65203 Wiesbaden, Deutschland <b>Vertretungsberechtigter in der EU:</b> Panasonic Connect Europe GmbH Panasonic Testing Centre Winsbergring 15, 22525 Hamburg, Deutschland</p>
Eesti	<p><b>Tootja:</b> Panasonic Projector &amp; Display Corporation 2-15 Matsuba-cho, Kadoma City, Osaka 571-8503, Jaapan <b>Maaletooja:</b> Panasonic Connect Europe GmbH Hagenauer Strasse 43, 65203 Wiesbaden, Saksamaa <b>Volitatud esindaja ELis:</b> Panasonic Connect Europe GmbH Panasonic Testing Centre Winsbergring 15, 22525 Hamburg, Saksamaa</p>
Ελληνικά	<p><b>Κατασκευάστηκε από:</b> Panasonic Projector &amp; Display Corporation 2-15 Matsuba-cho, Kadoma City, Osaka 571-8503, Ιαπωνία <b>Εισαγωγέας:</b> Panasonic Connect Europe GmbH Hagenauer Strasse 43, 65203 Wiesbaden, Γερμανία <b>Εξουσιοδοτημένος αντιπρόσωπος στην ΕΕ:</b> Panasonic Connect Europe GmbH Panasonic Testing Centre Winsbergring 15, 22525 Hamburg, Γερμανία</p>
Español	<p><b>Fabricado por:</b> Panasonic Projector &amp; Display Corporation 2-15 Matsuba-cho, Kadoma City, Osaka 571-8503, Japón <b>Importador:</b> Panasonic Connect Europe GmbH Hagenauer Strasse 43, 65203 Wiesbaden, Alemania <b>Representante Autorizado para la UE:</b> Panasonic Connect Europe GmbH Panasonic Testing Centre Winsbergring 15, 22525 Hamburg, Alemania</p>

<b>Français</b>	<p><b>Fabriqué par</b> : Panasonic Projector &amp; Display Corporation 2-15 Matsuba-cho, Kadoma City, Osaka 571-8503, Japon</p> <p><b>Importateur</b> : Panasonic Connect Europe GmbH Hagenauer Strasse 43, 65203 Wiesbaden, Allemagne</p> <p><b>Représentant autorisé dans l'UE</b> : Panasonic Connect Europe GmbH Panasonic Testing Centre Winsbergring 15, 22525 Hamburg, Allemagne</p>
<b>Gaeilge</b>	<p><b>Arna dhéanamh ag</b> : Panasonic Projector &amp; Display Corporation 2-15 Matsuba-cho, Kadoma City, Osaka 571-8503, An tSeapáin</p> <p><b>Allmhaireoir</b> : Panasonic Connect Europe GmbH Hagenauer Strasse 43, 65203 Wiesbaden, An Ghearmáin</p> <p><b>Ionadaí Údaraithe san AE</b> : Panasonic Connect Europe GmbH Panasonic Testing Centre Winsbergring 15, 22525 Hamburg, An Ghearmáin</p>
<b>Hrvatski</b>	<p><b>Proizvodni</b>: Panasonic Projector &amp; Display Corporation 2-15 Matsuba-cho, Kadoma City, Osaka 571-8503, Japan</p> <p><b>Uvoznik</b>: Panasonic Connect Europe GmbH Hagenauer Strasse 43, 65203 Wiesbaden, Njemačka</p> <p><b>Ovlašteni zastupnik u EU-u</b>: Panasonic Connect Europe GmbH Panasonic Testing Centre Winsbergring 15, 22525 Hamburg, Njemačka</p>
<b>íslenskur</b>	<p><b>Framleitt af</b>: Panasonic Projector &amp; Display Corporation 2-15 Matsuba-cho, Kadoma City, Osaka 571-8503, Japan</p> <p><b>Innflytjandi</b>: Panasonic Connect Europe GmbH Hagenauer Strasse 43, 65203 Wiesbaden, Þýskalandi</p> <p><b>Viðurkenndur fulltrúi í ESB</b>: Panasonic Connect Europe GmbH Panasonic Testing Centre Winsbergring 15, 22525 Hamburg, Þýskalandi</p>
<b>Italiano</b>	<p><b>Fabbricato da</b>: Panasonic Projector &amp; Display Corporation 2-15 Matsuba-cho, Kadoma City, Osaka 571-8503, Giappone</p> <p><b>Importatore</b>: Panasonic Connect Europe GmbH Hagenauer Strasse 43, 65203 Wiesbaden, Germania</p> <p><b>Rappresentante autorizzato nell'UE</b>: Panasonic Connect Europe GmbH Panasonic Testing Centre Winsbergring 15, 22525 Amburgo, Germania</p>
<b>Latviešu</b>	<p><b>Ražotājs</b>: Panasonic Projector &amp; Display Corporation 2-15 Matsuba-cho, Kadoma City, Osaka 571-8503, Japāna</p> <p><b>Importētājs</b>: Panasonic Connect Europe GmbH Hagenauer Strasse 43, 65203 Wiesbaden, Vācija</p> <p><b>Oficiālais pārstāvis ES</b>: Panasonic Connect Europe GmbH Panasonic Testing Centre Winsbergring 15, 22525 Hamburg, Vācija</p>
<b>Lietuvių</b>	<p><b>Gamintojas</b>: Panasonic Projector &amp; Display Corporation 2-15 Matsuba-cho, Kadoma City, Osaka 571-8503, Japonija</p> <p><b>Importuotojas</b>: Panasonic Connect Europe GmbH Hagenauer Strasse 43, 65203 Wiesbaden, Vokietija</p> <p><b>Igaliotasis atstovas ES</b>: Panasonic Connect Europe GmbH Panasonic Testing Centre Winsbergring 15, 22525 Hamburgas, Vokietija</p>
<b>Magyar</b>	<p><b>Gyártotta</b>: Panasonic Projector &amp; Display Corporation 2-15 Matsuba-cho, Kadoma City, Osaka 571-8503, Japán</p> <p><b>Importőr</b>: Panasonic Connect Europe GmbH Hagenauer Strasse 43, 65203 Wiesbaden, Németország</p> <p><b>Hivatalos képviselő az EU-ban</b>: Panasonic Connect Europe GmbH Panasonic Testing Centre Winsbergring 15, 22525 Hamburg, Németország</p>
<b>Malti</b>	<p><b>Manifatturat minn</b>: Panasonic Projector &amp; Display Corporation 2-15 Matsuba-cho, Kadoma City, Osaka 571-8503, il-Gappun</p> <p><b>Importatur</b>: Panasonic Connect Europe GmbH Hagenauer Strasse 43, 65203 Wiesbaden, il-Germanja</p> <p><b>Rappreżentant Awtorizzat fl-UE</b>: Panasonic Connect Europe GmbH Panasonic Testing Centre Winsbergring 15, 22525 Hamburg, il-Germanja</p>
<b>Nederlands</b>	<p><b>Geproduceerd door</b>: Panasonic Projector &amp; Display Corporation 2-15 Matsuba-cho, Kadoma City, Osaka 571-8503, Japan</p> <p><b>Importeur</b>: Panasonic Connect Europe GmbH Hagenauer Strasse 43, 65203 Wiesbaden, Duitsland</p> <p><b>Bevoegde vertegenwoordiger in de EU</b>: Panasonic Connect Europe GmbH Panasonic Testing Centre Winsbergring 15, 22525 Hamburg, Duitsland</p>



<b>Norsk</b>	<p><b>Produsert av:</b> Panasonic Projector &amp; Display Corporation 2-15 Matsuba-cho, Kadoma City, Osaka 571-8503, Japan</p> <p><b>Importør:</b> Panasonic Connect Europe GmbH Hagenauer Strasse 43, 65203 Wiesbaden, Tyskland</p> <p><b>Autorisert representant i EU:</b> Panasonic Connect Europe GmbH Panasonic Testing Centre Winsbergring 15, 22525 Hamburg, Tyskland</p>
<b>Polski</b>	<p><b>Wyprodukowano przez:</b> Panasonic Projector &amp; Display Corporation 2-15 Matsuba-cho, Kadoma City, Osaka 571-8503, Japonia</p> <p><b>Importer:</b> Panasonic Connect Europe GmbH Hagenauer Strasse 43, 65203 Wiesbaden, Niemcy</p> <p><b>Upoważniony przedstawiciel w UE:</b> Panasonic Connect Europe GmbH Panasonic Testing Centre Winsbergring 15, 22525 Hamburg, Niemcy</p>
<b>Português</b>	<p><b>Fabricado por:</b> Panasonic Projector &amp; Display Corporation 2-15 Matsuba-cho, Kadoma City, Osaka 571-8503, Japão</p> <p><b>Importador:</b> Panasonic Connect Europe GmbH Hagenauer Strasse 43, 65203 Wiesbaden, Alemanha</p> <p><b>Representante Autorizado na UE:</b> Panasonic Connect Europe GmbH Panasonic Testing Centre Winsbergring 15, 22525 Hamburg, Alemanha</p>
<b>Română</b>	<p><b>Fabricat de:</b> Panasonic Projector &amp; Display Corporation 2-15 Matsuba-cho, Kadoma City, Osaka 571-8503, Japonia</p> <p><b>Importator:</b> Panasonic Connect Europe GmbH Hagenauer Strasse 43, 65203 Wiesbaden, Germania</p> <p><b>Reprezentant autorizat în UE:</b> Panasonic Connect Europe GmbH Panasonic Testing Centre Winsbergring 15, 22525 Hamburg, Germania</p>
<b>Slovenčina</b>	<p><b>Výrobca:</b> Panasonic Projector &amp; Display Corporation 2-15 Matsuba-cho, Kadoma City, Osaka 571-8503, Japonsko</p> <p><b>Dovozca:</b> Panasonic Connect Europe GmbH Hagenauer Strasse 43, 65203 Wiesbaden, Nemecko</p> <p><b>Autorizovaný zástupca v EÚ:</b> Panasonic Connect Europe GmbH Panasonic Testing Centre Winsbergring 15, 22525 Hamburg, Nemecko</p>
<b>Slovenščina</b>	<p><b>Proizvajaja:</b> Panasonic Projector &amp; Display Corporation 2-15 Matsuba-cho, Kadoma City, Osaka 571-8503, Japonska</p> <p><b>Uvoznik:</b> Panasonic Connect Europe GmbH Hagenauer Strasse 43, 65203 Wiesbaden, Nemčija</p> <p><b>Pooblaščenji zastopnik v EU:</b> Panasonic Connect Europe GmbH Panasonic Testing Centre Winsbergring 15, 22525 Hamburg, Nemčija</p>
<b>Suomi</b>	<p><b>Valmistaja:</b> Panasonic Projector &amp; Display Corporation 2-15 Matsuba-cho, Kadoma City, Osaka 571-8503, Japani</p> <p><b>Maahantuoja:</b> Panasonic Connect Europe GmbH Hagenauer Strasse 43, 65203 Wiesbaden, Saksa</p> <p><b>Valtuutettu edustaja EU:ssa:</b> Panasonic Connect Europe GmbH Panasonic Testing Centre Winsbergring 15, 22525 Hampuri, Saksa</p>
<b>Svenska</b>	<p><b>Tillverkad av:</b> Panasonic Projector &amp; Display Corporation 2-15 Matsuba-cho, Kadoma City, Osaka 571-8503, Japan</p> <p><b>Importör:</b> Panasonic Connect Europe GmbH Hagenauer Strasse 43, 65203 Wiesbaden, Tyskland</p> <p><b>Auktoriserad representant i EU:</b> Panasonic Connect Europe GmbH Panasonic Testing Centre Winsbergring 15, 22525 Hamburg, Tyskland</p>
<b>Türkçe</b>	<p><b>Tarafından Üretilmiştir:</b> Panasonic Projector &amp; Display Corporation 2-15 Matsuba-cho, Kadoma City, Osaka 571-8503, Japonya</p> <p><b>İthalatçı:</b> Panasonic Connect Europe GmbH Hagenauer Strasse 43, 65203 Wiesbaden, Almanya</p> <p><b>AB Yetkili Temsilcisi:</b> Panasonic Connect Europe GmbH Panasonic Testing Centre Winsbergring 15, 22525 Hamburg, Almanya</p>

**Manufactured by:** Panasonic Projector & Display Corporation  
2-15 Matsuba-cho, Kadoma City, Osaka 571-8503, Japan

**Importer:** Panasonic Connect Europe GmbH  
Hagenauer Strasse 43, 65203 Wiesbaden, Germany

**Authorized Representative in EU:** Panasonic Connect Europe GmbH  
Panasonic Testing Centre  
Winsbergring 15, 22525 Hamburg, Germany

**Importer for UK:**

Panasonic Connect UK,  
a branch of Panasonic Connect Europe  
GmbH,  
Maxis 2, Western Road, Bracknell, Berkshire, RG12 1RT



**Product Information (for Turkey only)**

AEEE Yönetmeliğine Uygundur.

**Environment care information for users in China**



This symbol is only valid in China.

---

# Panasonic Projector & Display Corporation

Web Site : <https://docs.connect.panasonic.com/projector>

© Panasonic Projector & Display Corporation 2025

---

## Panasonic Projector & Display Americas LLC

Two Riverfront Plaza, Newark, NJ 07102

TEL: +1-201-348-7000

TI0120AM2045 -PS  
Printed in China