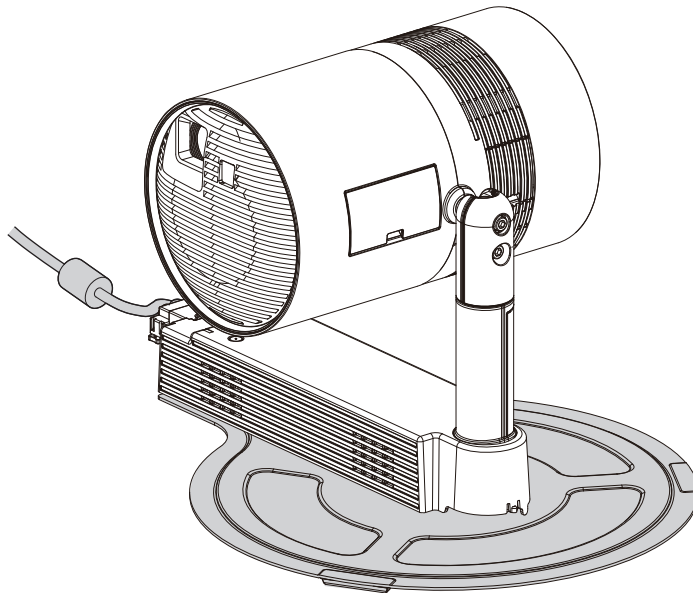


## Operating Instructions

Floor Stand Kit Commercial Use

Model No. **ET-JPF200BK**  
**ET-JPF200WK**



\* The above illustration is of this product mounted to an optional projector.

\* Unless otherwise specified, the illustration of mounting status of this product in this document is using PT-JX200F series.

Thank you for purchasing this Panasonic product.

- To ensure correct use of this product, please read the instructions supplied with this product and the projector carefully.
- **Before using this product, be sure to read “Read this first!” (→ pages 3 to 4).**
- Please save this manual for future use.



# Contents

<b>Read this first!</b> .....	<b>3</b>
<b>Product composition</b> .....	<b>5</b>
<b>Before mounting</b> .....	<b>6</b>
<b>Mounting procedure</b> .....	<b>7</b>
Main procedures.....	7
Changing the orientation of the main unit of the projector.....	7
Mounting the floor stand to the projector .....	8
Connecting the power cord to the projector.....	11
Attaching a security wire.....	13
<b>Specifications</b> .....	<b>14</b>
External dimension diagram .....	14
Assembly dimension diagram.....	15

# Read this first!

## WARNING

### **Do not do anything that might damage the power cord or the power plug.**

If the power cord is used while damaged, electric shocks, short-circuits or fire will result.

- Do not damage the power cord, make any modifications to it, place it near any hot objects, bend it excessively, twist it, pull it, place heavy objects on top of it or wrap it into a bundle.

Ask your dealer to carry out any repairs to the power cord that might be necessary.

### **Do not use anything other than the provided power cord.**

Failure to observe this will result in electric shocks or fire. Please note that if you do not use the provided power cord to ground the device on the side of the outlet, this may result in electric shocks.

### **Completely insert the power plug into the wall outlet and the power connector into the projector terminal.**

If the plug is not inserted correctly, electric shocks or overheating will result.

- Do not use plugs which are damaged or wall outlets which are coming loose from the wall.

### **Do not handle the power plug and power connector with wet hands.**

Failure to observe this will result in electric shocks.

### **Do not use other than a specified projector.**

### **Do not install a projector in a way other than specified.**

Doing so may cause a fall accident, fire, or electric shock.

### **Do not install the product in a place unable to withstand the weight or somewhere that is unsteady or tilted.**

Doing so may cause a failure or injury due to dropping, falling, etc.

### **Do not install the projector in a passageway.**

Bumping into the projector or tripping on the power cord may cause a fire, electric shock, or injury.

- When installing the projector in a passageway, take measures to prevent physical contact with the projector by setting up a fence or similar things.

### **Do not set up the projector in humid or dusty places or in places where the projector may come into contact with oily smoke or steam.**

Using the projector under such conditions will result in fire, electric shocks.

### **Do not place the projector on soft materials such as carpets or sponge mats.**

Doing so will cause the projector to overheat, which can cause burns, fire or damage to the projector.

### **Do not block projector heat dissipation.**

Heat accumulating inside the projector may cause a fire.

- Install the product so that the intake and exhaust of the projector will not be blocked.

### **Do not modify the floor stand.**

Doing so may cause a malfunction due to falling, etc. or an electric shock or injury.

### **Do not use the supplied power cord with equipment other than a specified projector.**

Using the supplied power cord with equipment other than a specified projector may cause electric shock or fire due to a short or heat generation.

### **Do not allow children to reach the supplied screws.**

Accidentally swallowing them can cause physical harm.

- If swallowed, seek medical advice immediately.

## CAUTION

### **When disconnecting the power cord, be sure to hold the power plug and power connector.**

If the power cord itself is pulled, the lead will become damaged, and fire, short-circuits or serious electric shocks will result.

### **Do not place the projector in extremely hot locations.**

Doing so will cause the outer casing or internal components of the projector to deteriorate, or result in fire.

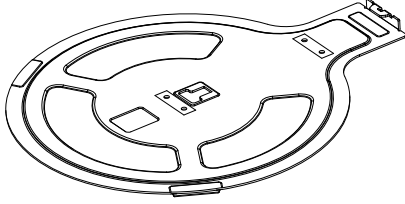
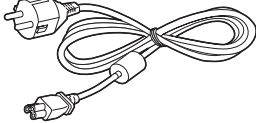

- Take particular care in locations exposed to direct sunlight or near heaters.

## Read this first! (continued)

■ Panasonic Connect Co., Ltd. assumes no responsibility for any accident or damage caused by improper installation or incorrect handling.

# Product composition

Check that the package contains the following parts. The number enclosed in < > is the quantity.

<p>Floor stand &lt;1&gt;</p> 	<p>This stand is mounted to the projector to enable floor standing installation. There are rubber feet at three places on the bottom of the stand.</p> <p>The stand comes in two colors. ET-JPF200BK: Black ET-JPF200WK: White</p>
<p>Power cord (K2CM3YY00038) &lt;1&gt;</p> 	<p>This is connected to the &lt;AC IN&gt; socket of the optional projector.</p>
<p>Screw with captive washer (M4×8) &lt;4&gt; (ET-JPF200BK: XYN4+F8FJK) (ET-JPF200WK: 4112055002)</p> 	<p>These items secure the floor stand to the projector.</p>

## Attention

- After removing the product from the package, dispose of the power cord cap and packing material appropriately.
- Do not use the supplied power cord with equipment other than a specified projector.
- If any part is missing, contact the dealer.
- Store small parts appropriately in a place out of the reach of infants and small children.

## Note

- The part numbers of the parts are subject to change without notice.
- The illustrations of the product components, the projector or the assembling condition of the product and projector, etc. may differ from the actual equipment.

# Before mounting

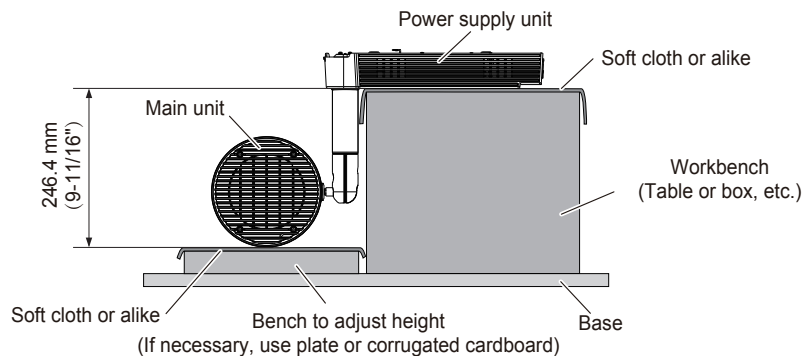
- Use this product to install a compatible projector (not supplied) on the floor in a standing position.

Compatible projectors: PT-JX200FBK / PT-JX200FWK / PT-JW130FBK / PT-JW130FWK

- A work bench and a soft cloth to prevent scratches are required when mounting this product to a projector.

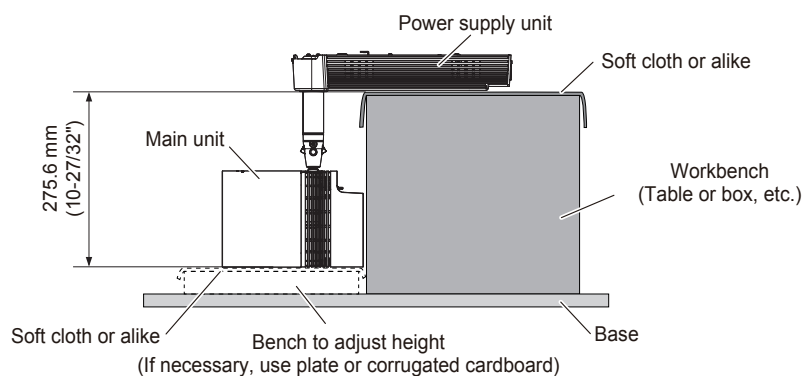
- For PT-JX200F series

Prepare a bench for the mounting work with a height of at least 250 mm (9-27/32") and lay a soft cloth or the like below the projector to prevent scratches.



- For PT-JW130F series

Prepare a bench for the mounting work with a height of at least 280 mm (11-1/32") and lay a soft cloth or the like below the projector to prevent scratches.



- For details such as the handling and operating procedures of the projector after this product is mounted, refer to the operating instructions for the projector.

- Disposal

When disposing of this product, ask your local authority or dealer about the correct disposal method.

# Mounting procedure

## Main procedures

The main procedures up until installation of the projector are as follows.  
For details on 1) to 3), refer to the corresponding reference pages.

1) Changing the orientation of the main unit of the projector (→ page 7)

2) Mounting the floor stand to the projector (→ page 8)

3) Connecting the power cord to the projector (→ page 11)

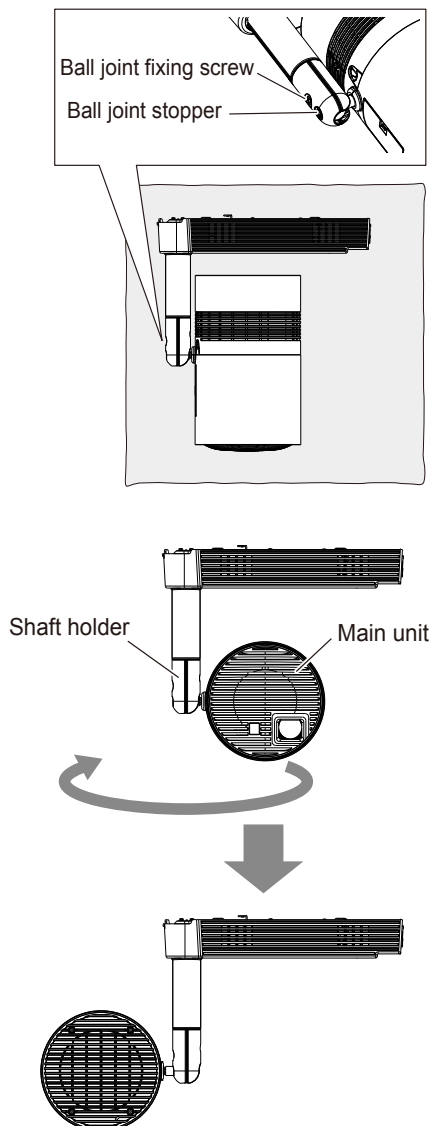
### 4) Installation

- Install the projector while referring to “Projection dimensions” in the operating instructions for the projector. Then adjust the orientation of the main unit as described in “Adjusting the projection position”.
- If necessary, refer to “Attaching a security wire” (→ page 13) in this manual and take a measure to protect the equipment against theft.

## Changing the orientation of the main unit of the projector

This section describes changing the orientation of the main unit of the projector to make the mounting work easier to do.

### ● For PT-JX200F series



1) Place the projector on a cloth or the like that has been laid on a flat surface.

2) Loosen the ball joint fixing screw.

- Loosen the ball joint fixing screw of the projector with the allen wrench (5.0 mm (3/16") across flats) supplied with the projector.

3) Change the orientation of the main unit.

- Loosening the ball joint fixing screw enables rotation of the shaft holder so that the orientation of the main unit can be changed.

4) Tighten the ball joint fixing screw.

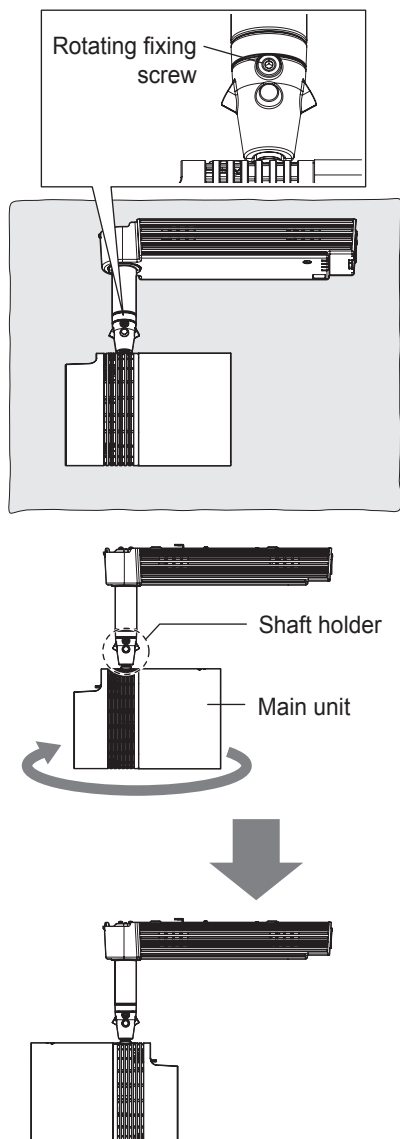
- Tighten the ball joint fixing screw with the allen wrench (5.0 mm (3/16") across flats) supplied with the projector to prevent the main unit moving during the mounting work.

### Attention

- When loosening the ball joint fixing screw with the pole being held by hand, take care to avoid the hand(s) or fingers being pinched between the pole and the main unit.

## Mounting procedure (continued)

### ● For PT-JW130F series



**1) Place the projector on a cloth or the like that has been laid on a flat surface.**

**2) Loosen the fixing screw.**

- Loosen the rotating fixing screw of the projector with the allen wrench (3.0 mm (1/8") across flats) supplied with the projector.

**3) Change the orientation of the main unit.**

- Loosening the ball joint fixing screw enables rotation of the shaft holder so that the orientation of the main unit can be changed.

**4) Tighten the fixing screw.**

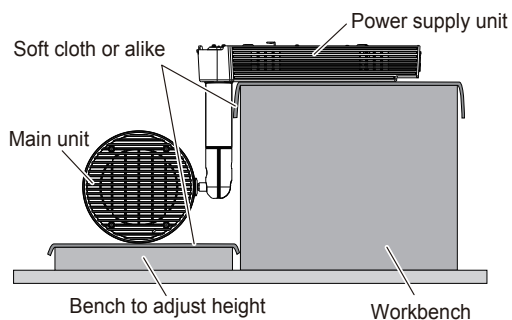
- Tighten the rotating fixing screw with the allen wrench (3.0 mm (1/8") across flats) supplied with the projector to prevent the main unit moving during the mounting work.

#### Note

- The rotating fixing screw is a hexagon socket head screw (M6). Take care because it will come out of the projector if loosened too much.

## Mounting the floor stand to the projector

This section describes mounting the floor stand to the projector.



**1) Place the projector on the work bench.**

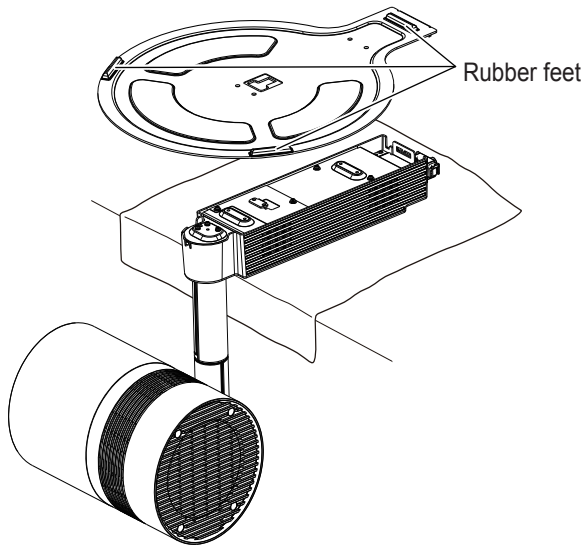
- Place the power supply unit of the projector on a work bench that has a soft cloth or the like laid on it.
- Also put the main unit of the projector on a platform laid with a soft cloth or alike to make it stable.

#### Attention

- The projector might turn unstable in this case, so at least two people are recommended to perform the mounting work of the floor stand.

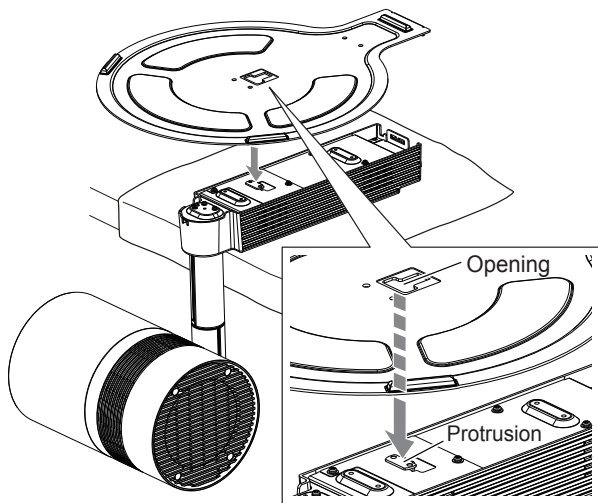


## Mounting procedure (continued)



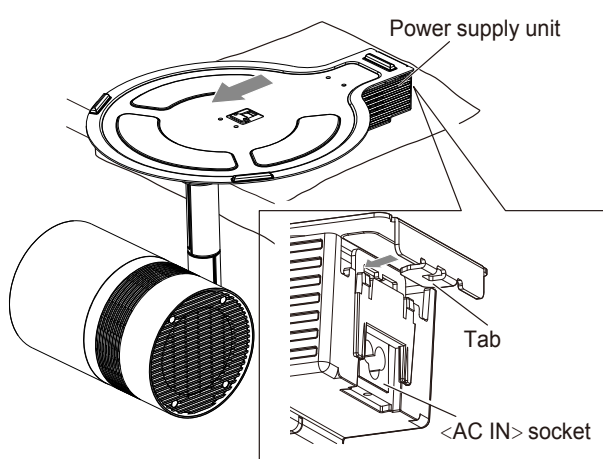
### 2) Orient the floor stand to match the projector orientation.

- Place the floor stand so that the rubber feet are facing upward and then orient it to match the projector orientation.



### 3) Mount the floor stand to the projector.

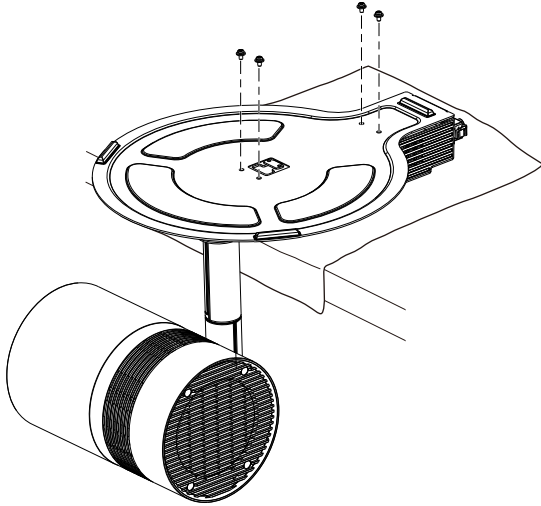
- Align the opening in the floor stand with the position of the protrusion on the projector.



### 4) Slide the floor stand.

- Slide the floor stand so that the tab fits into place into the <AC IN> socket side of the power supply unit of the projector.

## Mounting procedure (continued)



### 5) Secure the floor stand with the screws, captive washers.

- Firmly secure the floor stand with the four supplied screws with captive washers (M4 x 8).

## Mounting procedure (continued)

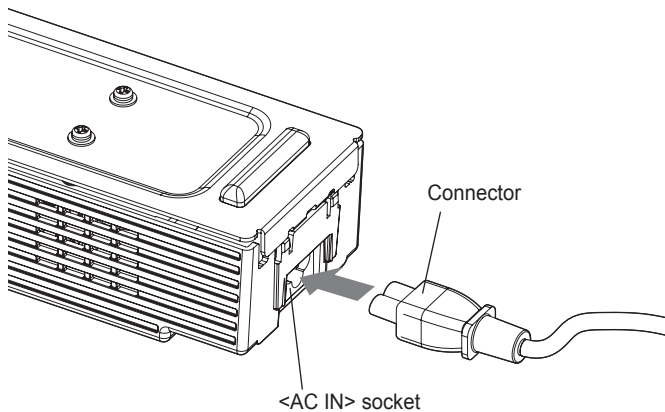
### Connecting the power cord to the projector

This section describes connecting the supplied power cord to the projector.

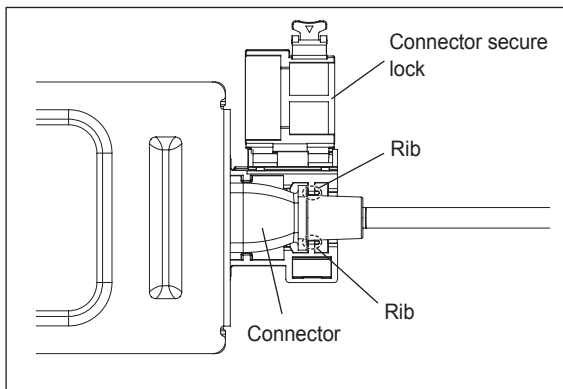
**To prevent disconnection of the power cord, use the supplied power cord and firmly insert the connector all the way into the <AC IN> socket of the projector and then secure it in place.**

For details on the handling of the power cord, refer to "Read this first!" (→ page 3).

#### ■ Power cord connection procedure



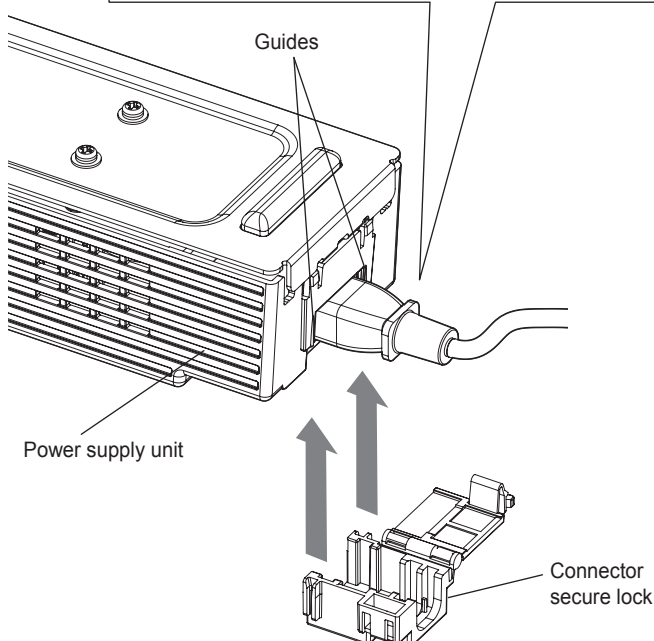
- 1) Check the shapes of the <AC IN> socket of the projector and the connector of the power cord and then orient the connector correctly and insert it firmly.



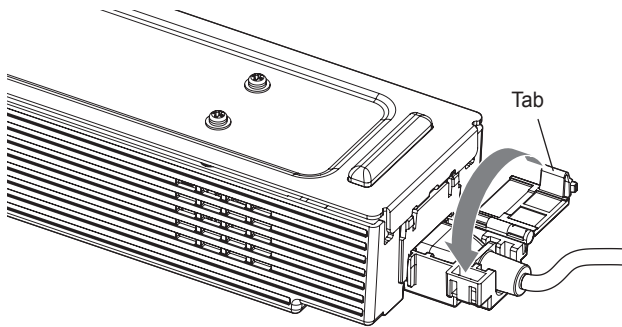
- 2) Attach the connector secure lock.

- Attach the connector secure lock supplied with the projector by sliding it along the guides on both sides of the <AC IN> socket of the power supply unit.

When attaching it, make sure that the connector of the power cord fits further inside (power supply unit) than the ribs on the connector secure lock.



## Mounting procedure (continued)



### 3) Close the connector secure lock.

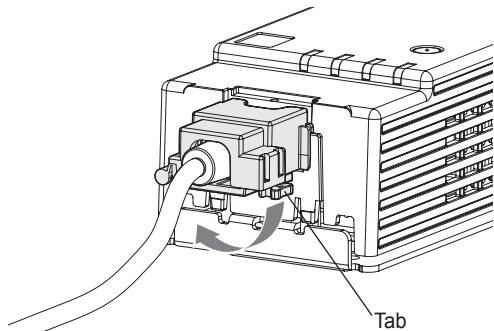
- Push until the tab of the connector secure lock clicks into place.

## ■ Power cord disconnection procedure

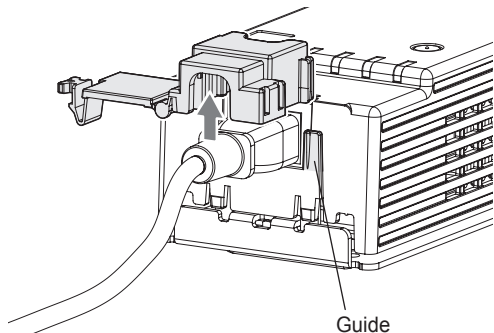
### 1) Make sure that the projector is in the standby state and then remove the power plug from the power outlet.

### 2) Push down on the tab of the connector secure lock to release it.

- To release it when the projector is standing on the floor, release the tab while lifting up the power supply unit.

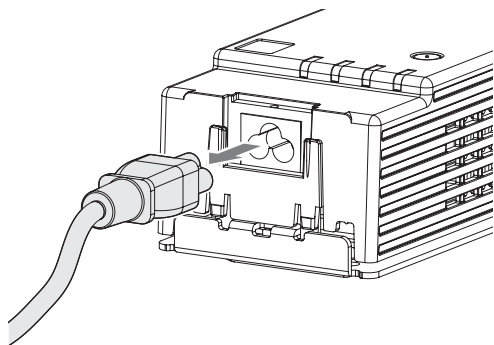


### 3) Remove the connector secure lock by sliding it along the guides on the <AC IN> socket.



### 4) Pull out the connector of the power cord from the <AC IN> socket.

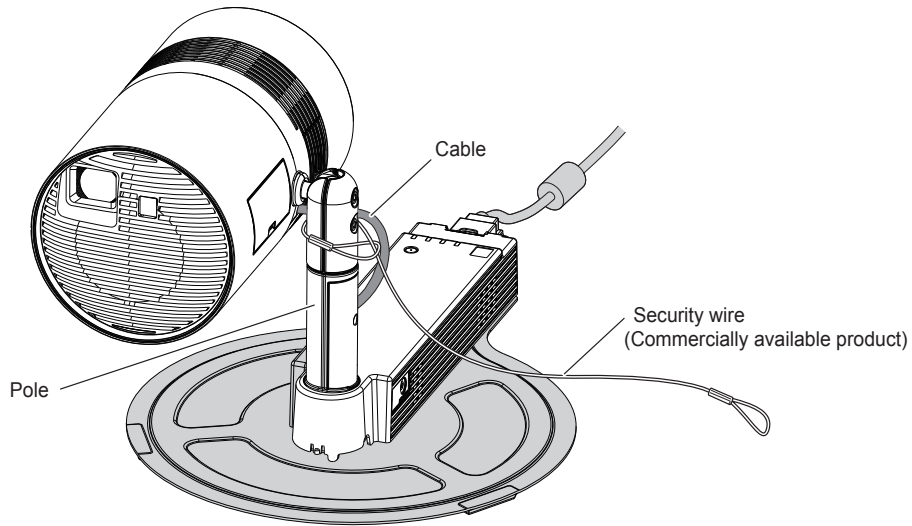
- Be sure to press the power supply unit with one hand, hold the power connector and pull it out with another hand.



## Mounting procedure (continued)

### Attaching a security wire

If necessary, take a measure to protect the equipment against theft such as passing a commercially available security wire between the pole and cable of the projector.

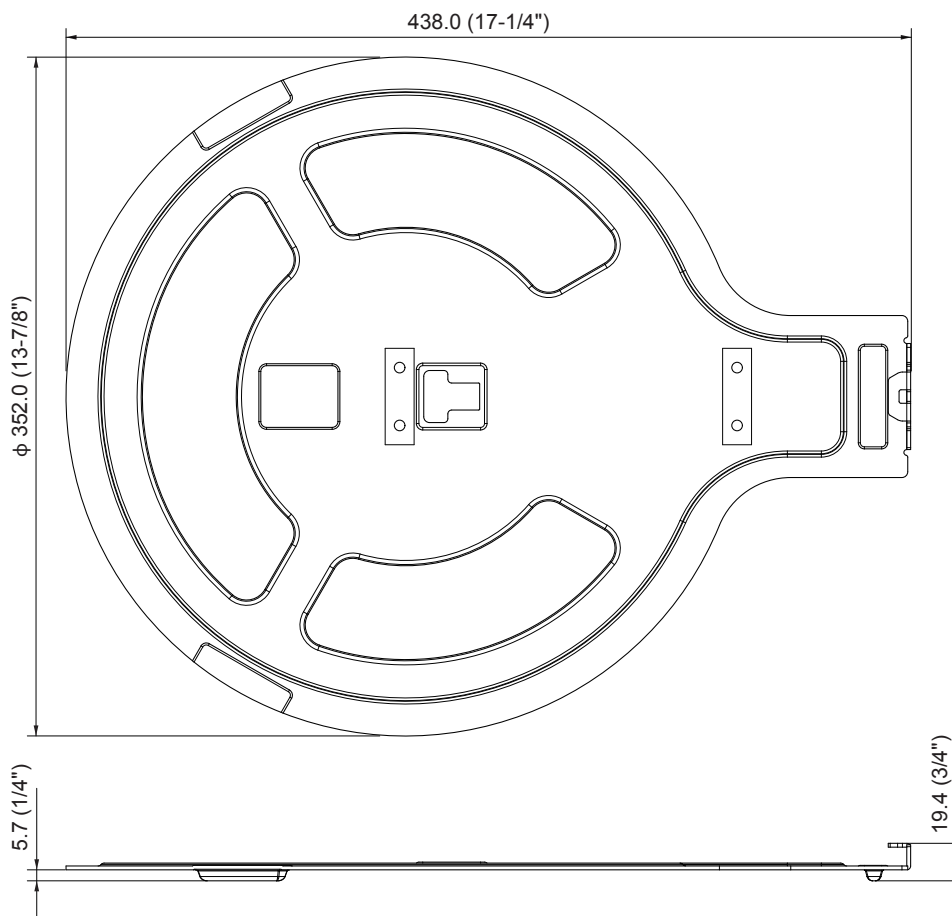


# Specifications

<b>Dimensions</b>	<b>Width: 352 mm (13-7/8")</b> <b>Height: 19.4 mm (3/4")</b> <b>Depth: 438 mm (17-1/4")</b>
<b>Weight</b>	<b>1.7 kg (3.75 lbs.)</b>
<b>Outer color</b>	<b>ET-JPF200BK: Black</b> <b>(for use in combination with PT-JX200FBK / PT-JW130FBK)</b>
	<b>ET-JPF200WK: White</b> <b>(for use in combination with PT-JX200FWK / PT-JW130FWK)</b>
<b>Power cord length</b>	<b>2.0 m (78-3/4")</b>

## External dimension diagram

Unit: mm



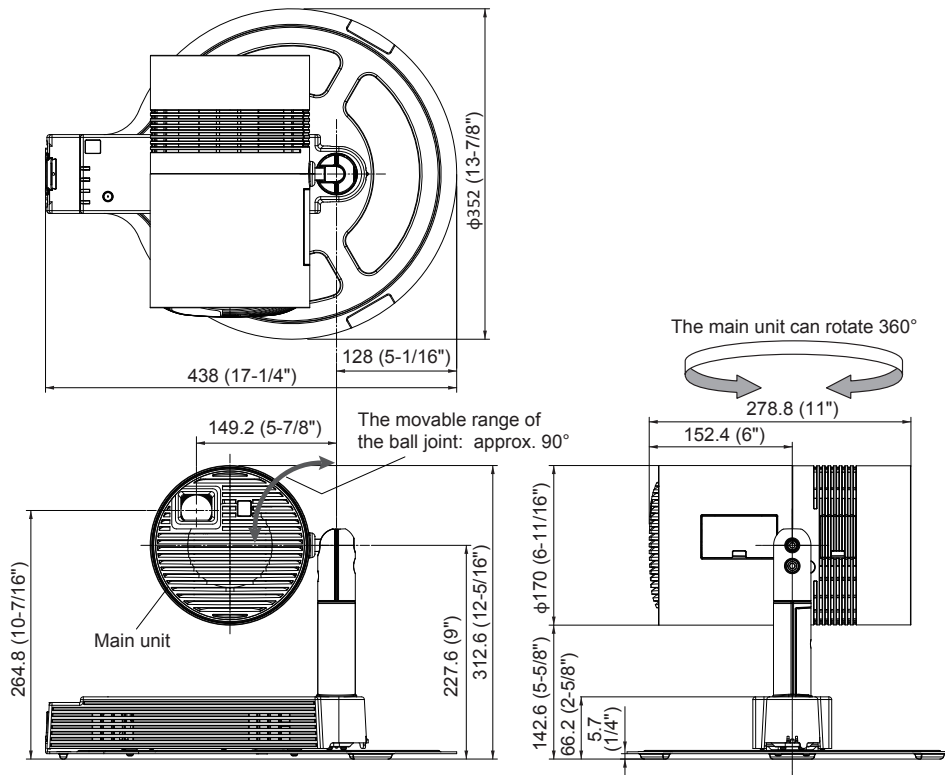
# Specifications (continued)

## Assembly dimension diagram

These dimensions are when this product is mounted to a separately sold projector.

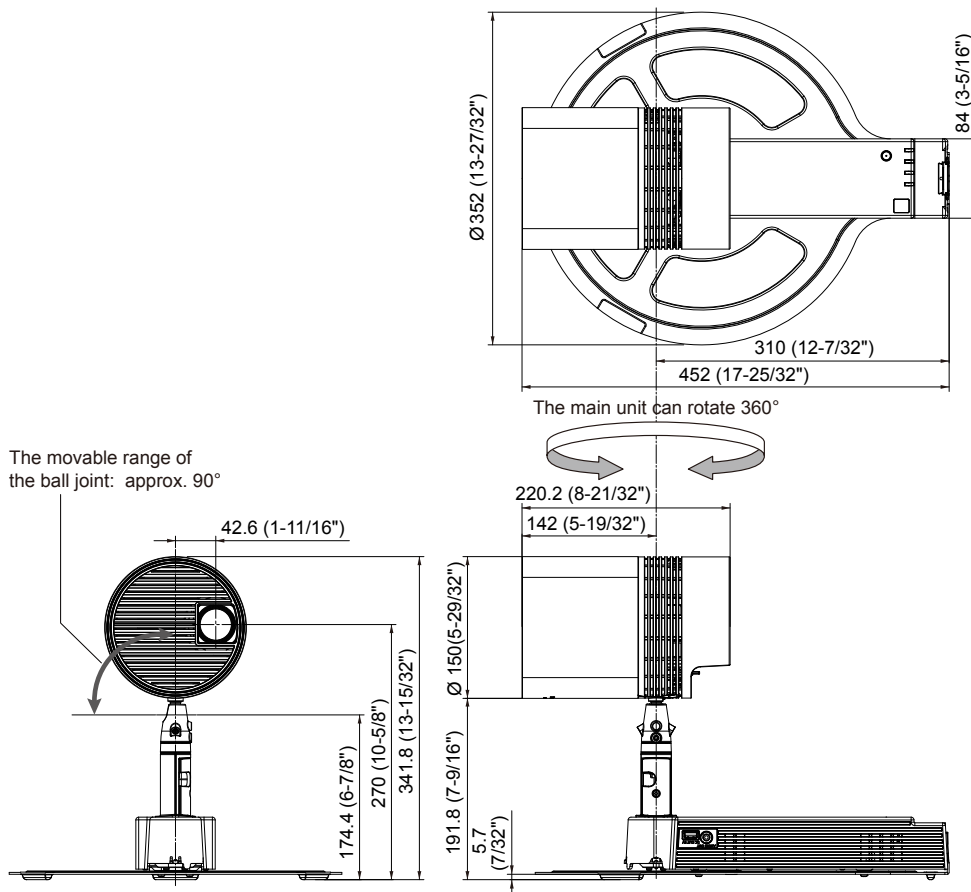
- For use in combination with PT-JX200FBK / PT-JX200FWK

Unit: mm



- For use in combination with PT-JW130FBK / PT-JW130FWK

Unit: mm



---

# Panasonic Connect Co., Ltd.

Web Site : <https://panasonic.net/cns/projector/>  
© Panasonic Connect Co., Ltd. 2022

T10217JG1062 -PT  
Printed in China