

## iA (intelligent Auto) H.265 Network Camera

Panasonic WV-S1131 captures the highest quality images automatically even in very challenging and fast-changing surveillance environments. Intelligent Auto (iA) allows the camera to automatically adjust the key settings in real-time depending on the scenery and movement, reducing distortion such as motion blur and moving objects. New industry-leading 144dB dynamic range delivers balanced scene exposure in dynamic and extreme-backlit lighting environments. In addition, color night vision provides outstanding low-light performance with accurate color rendition and saturation from i-Pro's 1/3" sensor, rivaling the performance of costlier 1/2" sensor cameras in the market. The adopted H.265 Smart Coding technology, intelligently reduces bandwidth efficiency of up to 95%\* more than H.264 for longer recording and less storage. Cameras out-of-the-box, support full data encryption streaming and is compliant to FIPS 140-2 Level 1 standards to keep your video secured.

\*Value in Advanced mode with Smart Facial Coding. It depends on the scene.

### Extreme image quality allows evidence to be captured even under challenging conditions

- Auto Shutter speed control for fast moving vehicles
- Sharp and clear images of a walking person day & night
- Outstanding low light performance in true color with low noise for night time applications
- Super Dynamic 144dB for backlit situations involving headlights and shadows on night streets

### Extreme H.265 compression with new Smart Coding

- Longer recording and less storage compared to any H.264 based compression techniques
- New self-learning ROI\* encoding (Auto VIQS) detects movement within the image and compresses the areas with little motion in order to reduce transmitted data while maintaining the quality of the image.
- New "Smart Facial Coding" adds more bandwidth reduction for ID camera applications mainly capturing faces

\*Region of Interest

### Extreme Data Security

- Full encryption SD card edge recording to keep your data safe
- FIPS 140-2 Level 1 compliant
- Full end-to-end system encryption with supported VMS and devices to protect from IP snooping/spoofing and detect data alteration

### Key Features

- Full HD 1080p 60fps
- iA (intelligent Auto)
- Extreme Super Dynamic 144dB
- Color night vision (0.0007 to 0.01 lx)
- H.265 Smart Coding
- FIPS 140-2 Level 1 compliant

### Applications

- Public safety (City / Road / Highway / Port)
- Transportation (Airport / Train / Subway)
- Retail / Bank / Education / Hospital / Building



Lens not included

## Specifications

<b>Camera</b>	Image Sensor	Approx. 1/2.8 type MOS image sensor
	Minimum Illumination	Color : 0.01 lx, BW : 0.004 lx (F1.4, Maximum shutter : Off (1/30s), AGC : 11) Color : 0.0007 lx, BW : 0.0003 lx (F1.4, Maximum shutter : Max. 16/30s, AGC : 11) <sup>*1</sup>
	White Balance	AWC (2,000 - 10,000 K), ATW1 (2,700 - 6,000 K), ATW2 (2,000 - 6,000 K)
	Shutter Speed	1/30 Fix to 1/10000 Fix *1/30 Fix to 2/120 Fix is available during 30 fps mode only. *1/60 Fix is available during 60 fps mode only.
	Intelligent Auto	On / Off
	Super Dynamic <sup>2</sup>	On / Off, the level can be set in the range of 0 to 31.
	Dynamic Range	144 dB (Super Dynamic : On)
	Adaptive Black Stretch	The level can be set in the range of 0 to 255.
	Back light compensation / High light compensation	BLC (Back light compensation) / HLC (High light compensation) / Off (Only when Super dynamic and Intelligent Auto : Off)
	Fog compensation	On / Off (only when Intelligent auto / auto contrast adjust : Off)
	Maximum gain (AGC)	The level can be set in the range of 0 to 11.
	Color/BW (ICR)	Off / On / Auto1 (Normal) / Auto2 (IR Light) / Auto3 (SCC)
	Digital Noise Reduction	The level can be set in the range of 0 to 255.
	Video Motion Detection (VMD)	On / Off, 4 areas available
	Intelligent VMD (i-VMD) <sup>3</sup>	Type 4 *optional plug-in software WV-SAE200
	Stabilizer <sup>3</sup>	On / Off (available only in the 30 fps mode)
	Privacy Zone	On / Off (up to 8 zones available)
	Image rotation <sup>4</sup>	0° / 90° / 180° / 270°
	Camera Title (OSD)	On / Off Up to 20 characters (alphanumeric characters, marks)
	Focus Adjustment	Auto back focus / Manual
<b>Browser GUI</b>	Camera Control	Brightness, AUX On / Off
	Audio	Mic (Line) Input : On / Off Volume adjustment : Low / Middle / High Audio Output : On / Off Volume adjustment : Low / Middle / High
	GUI / Setup Menu Language	English, Italian, French, German, Spanish, Portuguese, Russian, Chinese, Japanese
<b>Network</b>	Network IF	10Base-T / 100Base-TX, RJ45 connector
	Resolution	<b>*2 mega pixel [16 : 9] (30/60 fps)</b> 1,920 x 1,080 / 1,280 x 720 / 640 x 360 / 320 x 180 <b>*3 mega pixel [4 : 3] (30 fps)</b> 2,048 x 1,536 <sup>5</sup> / 1,280 x 960 / 800 x 600 / 640 x 480 / 400 x 300 / 320 x 240
	H.265/ H.264 <sup>6</sup> Transmission Mode	Constant bit rate / VBR / Frame rate / Best effort
	H.265/ H.264 <sup>6</sup> Transmission Type	Unicast / Multicast
	JPEG Image Quality	10 steps
	Smart Coding	Smart Facial Coding <sup>3</sup> : On (Smart Facial Coding) / On (Auto VIQS) / Off *Smart Facial Coding is only available with Stream(1). GOP (Group of pictures) : On (Advanced) / On (Low) / On (Mid) / Off *On(Advanced) is only available with H.265.
	Audio Compression	G.726 (ADPCM) : 16 kbps / 32 kbps G.711 : 64 kbps AAC-LC <sup>7</sup> : 64 kbps / 96 kbps / 128 kbps
	Audio transmission mode	Off / Mic (Line) input / Audio output / Interactive (Half duplex) / Interactive (Full duplex)

<b>Network</b>	Supported Protocol	IPv6 : TCP/IP, UDP/IP, HTTP, HTTPS, RTP, FTP, SMTP, DNS, NTP, SNMP, DHCPv6, MLD, ICMP, ARP, IEEE 802.1X, DiffServ IPv4 : TCP/IP, UDP/IP, HTTP, HTTPS, RTSP, RTP, RTP/RTCP, FTP, SMTP, DHCP, DNS, DDNS, NTP, SNMP, UPnP, IGMP, ICMP, ARP, IEEE 802.1X, DiffServ
	No. of Simultaneous Users	Up to 14 users (Depends on network conditions)
<b>Alarm</b>	SDXC/SDHC/SD Memory Card (Option)	H.265 / H.264 recording : Manual REC / Alarm REC (Pre/Post) / Schedule REC / Backup upon network failure JPEG recording : Manual REC / Alarm REC (Pre/Post) / Backup upon network failure Compatible SDXC/SDHC/SD Memory Card : Panasonic 2 GB, 4 GB*, 8 GB*, 16 GB*, 32 GB*, 64 GB**, 128 GB**, 256 GB** model *SDHC card, ** SDXC card (except miniSD card and microSD card)
	Mobile Terminal Compatibility	iPad, iPhone, Android™ mobile terminals
<b>Input/ Output</b>	Alarm Source	3 terminals input, VMD alarm <sup>8</sup> , Command alarm, Audio detection alarm
	Alarm Actions	SDXC/SDHC/SD memory recording, E-mail notification, HTTP alarm notification indication on browser, FTP image transfer, Panasonic alarm protocol output
<b>General</b>	Monitor Output (for adjustment)	VBS : 1.0 V [p-p] / 75 Ω, composite, Pin jack An NTSC or PAL signal can be outputted from camera
	Audio input	ø3.5 mm stereo mini jack Input impedance: Approx. 2 kΩ (unbalanced) (Applicable microphone : Plug-in power type) Supply voltage : 2.5 V ±0.5 V
	Audio Output	ø3.5 mm stereo mini jack (monaural output) Output impedance : Approx. 600 Ω (unbalanced)
<b>General</b>	External I/O Terminals	ALARM IN 1 (Black & white input, Auto time adjustment input) (x1), ALARM IN 2 (ALARM OUT) (x1), ALARM IN 3 (AUX OUT) (x1)
	Safety	UL (UL60950-1), CE, IEC60950-1
<b>General</b>	EMC	FCC (Part15 ClassA), EN55022 ClassB, EN55024
	Power Source and Power Consumption	DC power supply : DC12 V 460 mA, Approx. 5.6 W PoE (IEEE802.3af compliant) Device : DC48 V 120 mA, Approx. 5.8 W (Class 2 device)
<b>General</b>	Ambient Operating Temperature	-10 °C to +50 °C (14 °F to 122 °F)
	Ambient Operating Humidity	10 to 90 % (no condensation)
<b>General</b>	Dimensions	75 mm (W) x 57 mm (H) x 146 mm (D) {2-15/16 inches (W) x 2-1/4 inches (H) x 5-3/4 inches (D)} (excluding lens / power cord plug)
	Mass (approx.)	350 g (0.77 lbs.)
<b>General</b>	Finish	Main body : PC / ABS resin (Sail white)

\*1 Converted value

\*2 Super Dynamic function is automatically set off on 60 fps mode.

\*3 Stabilizer, Smart Facial Coding, i-VMD can not be used at the same time.

\*4 When "3 mega pixel [4 : 3](30fps mode)" is selected for "Image capture mode", "90 °" and "270 °" cannot be selected.

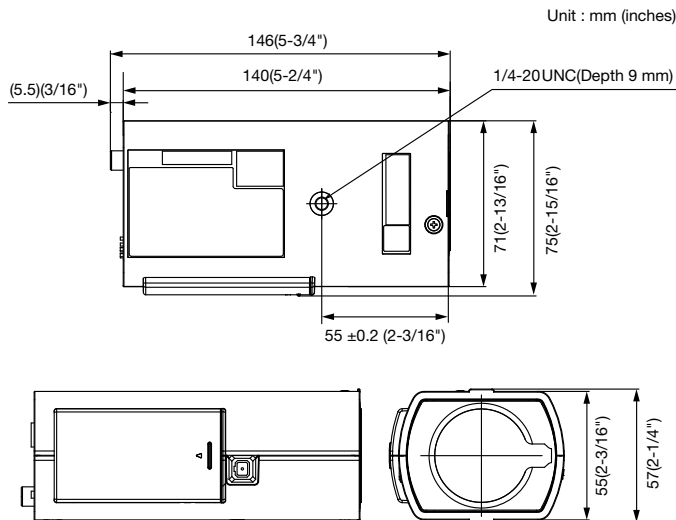
\*5 Used by super resolution techniques

\*6 Transmission for 4 streams can be individually set.

\*7 Only use AAC-LC (Advanced Audio Coding - Low Complexity) when recording audio on an SD memory card.

\*8 Including alarms from Plug-in Software

## Appearance



### Trademarks and registered trademarks

- iPad and iPhone are registered trademarks of Apple Inc.
- Android is a trademark of Google Inc.
- ONVIF and the ONVIF logo are trademarks or registered trademarks of ONVIF Inc.
- All other trademarks identified herein are the property of their respective owners.

• Masses and dimensions are approximate. • Specifications are subject to change without notice.

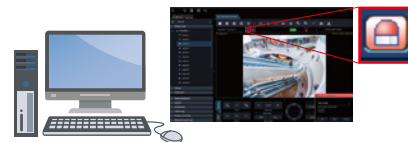
## Optional Accessory

### Plug-in Software for i-VMD

#### WV-SAE200

i-VMD is possible to detect objects in the specified area by advanced video analysis technology.

i-VMD : Intruder Detection, Loitering Detection, Direction Detection, Scene Change Detection, Object Detection, Cross Line Detection



Notification sent to the monitoring screen

### Important

- Safety Precaution : Carefully read the Important Information, Installation Guide and operating instructions before using this product.
- Panasonic cannot be responsible for the performance of the network and/or other manufacturers' products used on the network.

DISTRIBUTED BY :

# Panasonic

<https://security.panasonic.com>

<http://www.facebook.com/PanasonicNetworkCamera>

(2A-170DA)