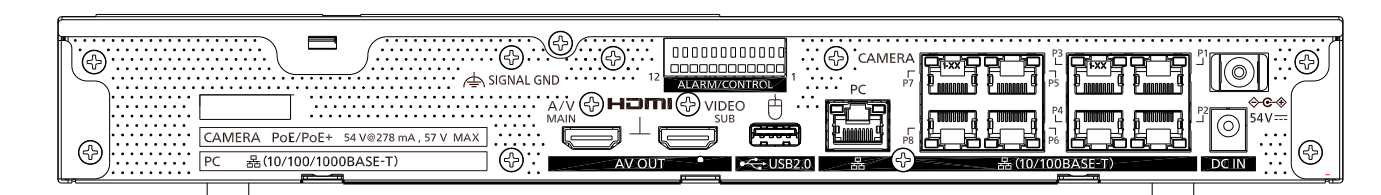
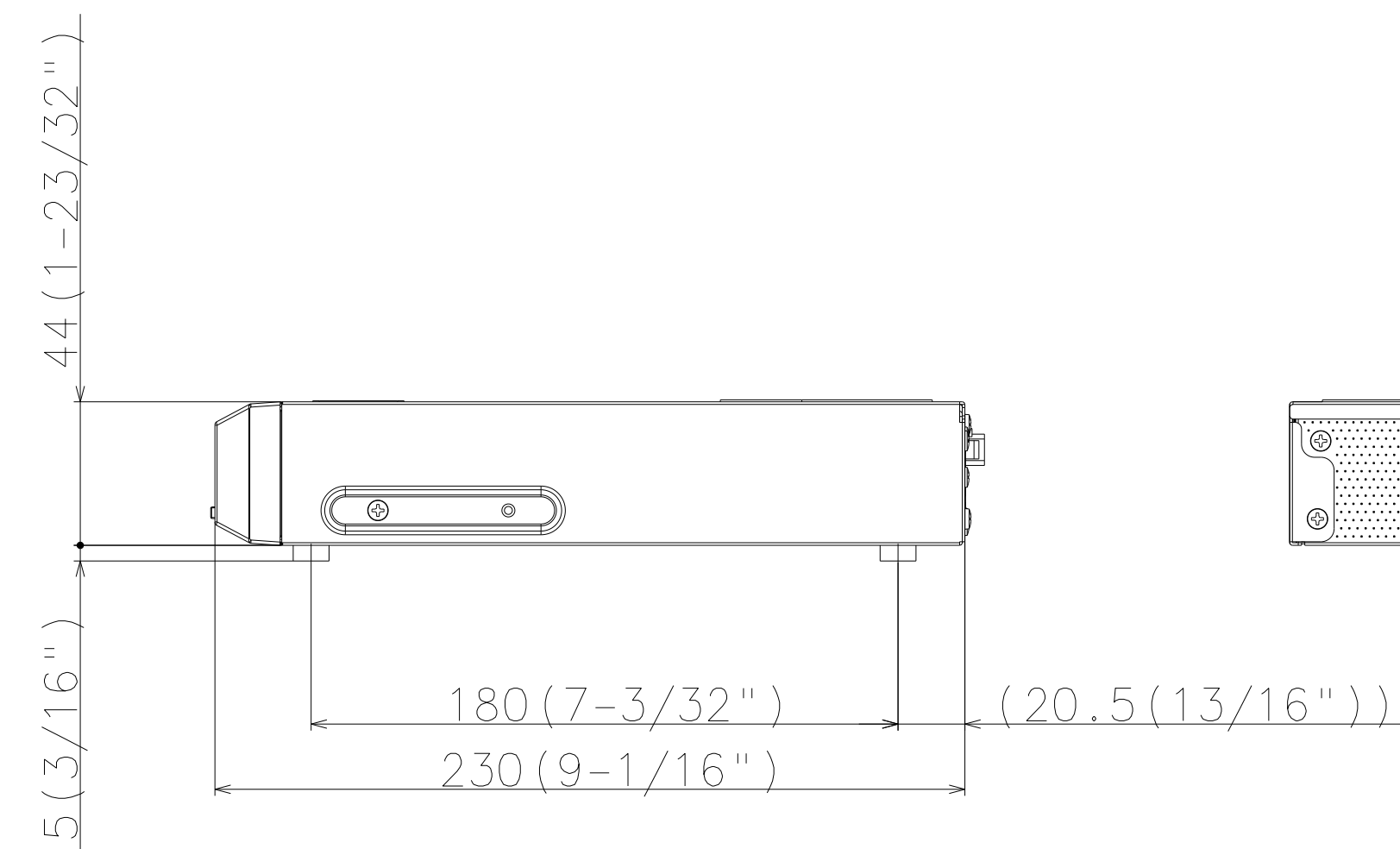
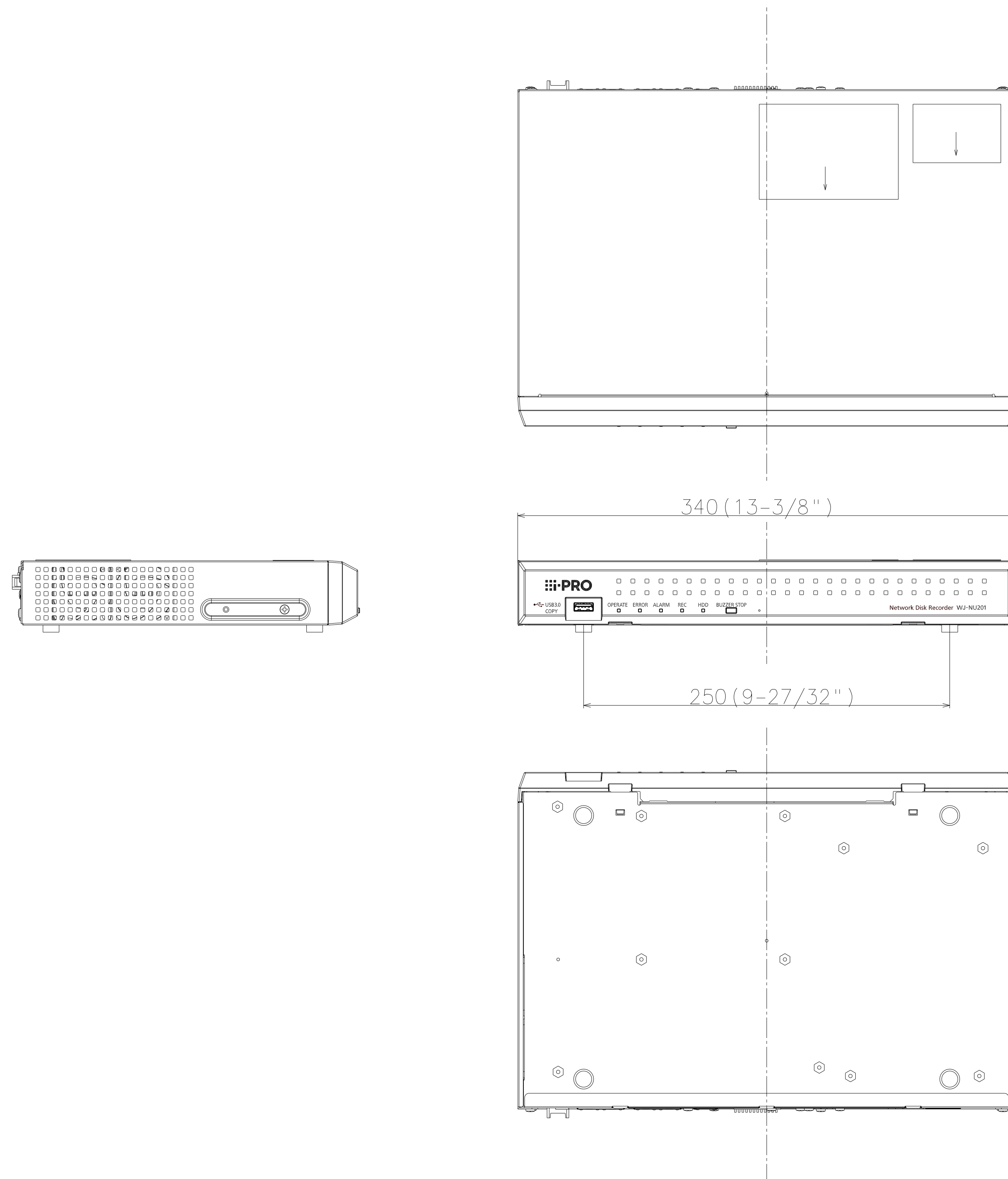


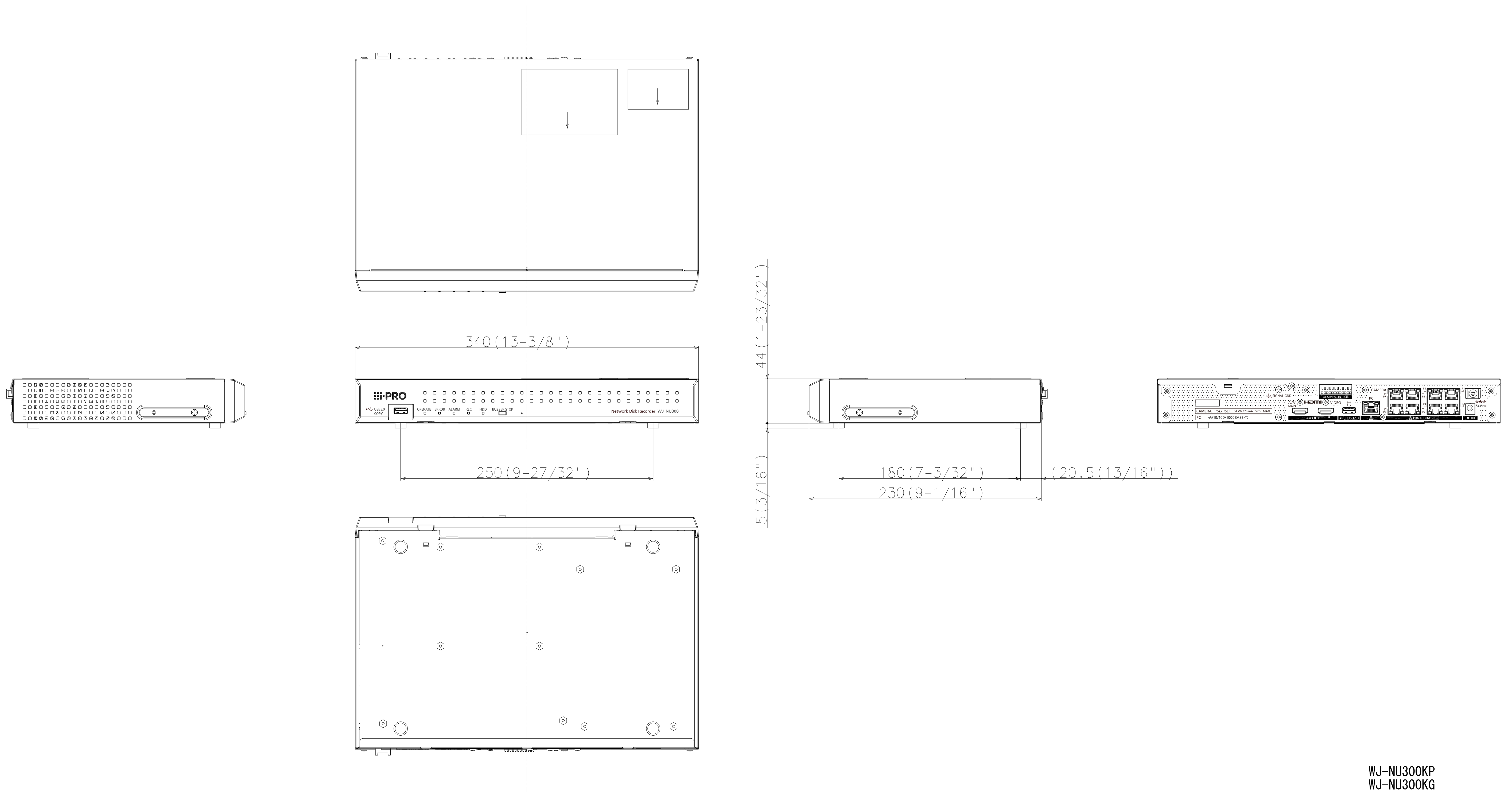
WJ-NU101KP
WJ-NU101KG

Desktop installation



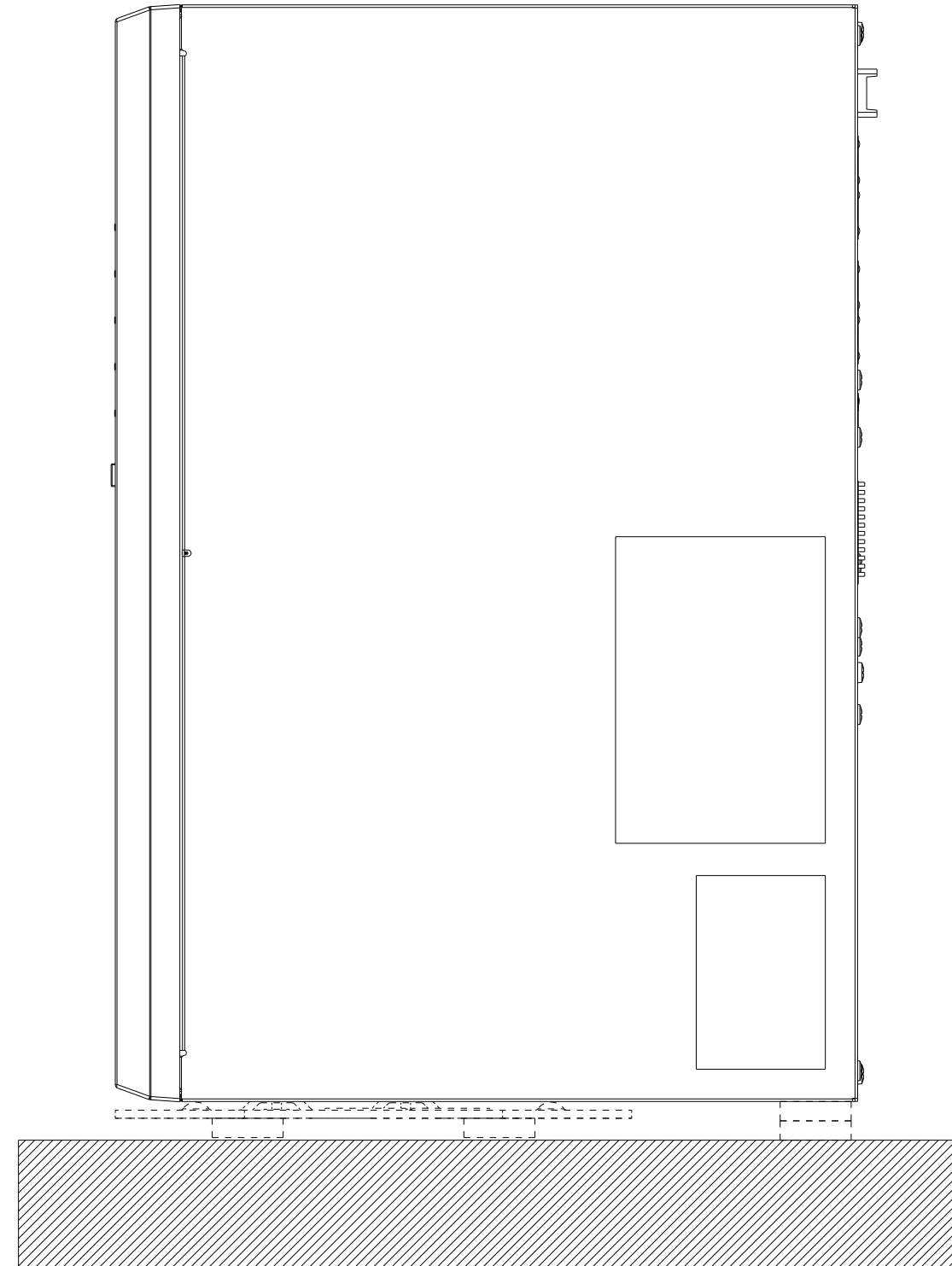
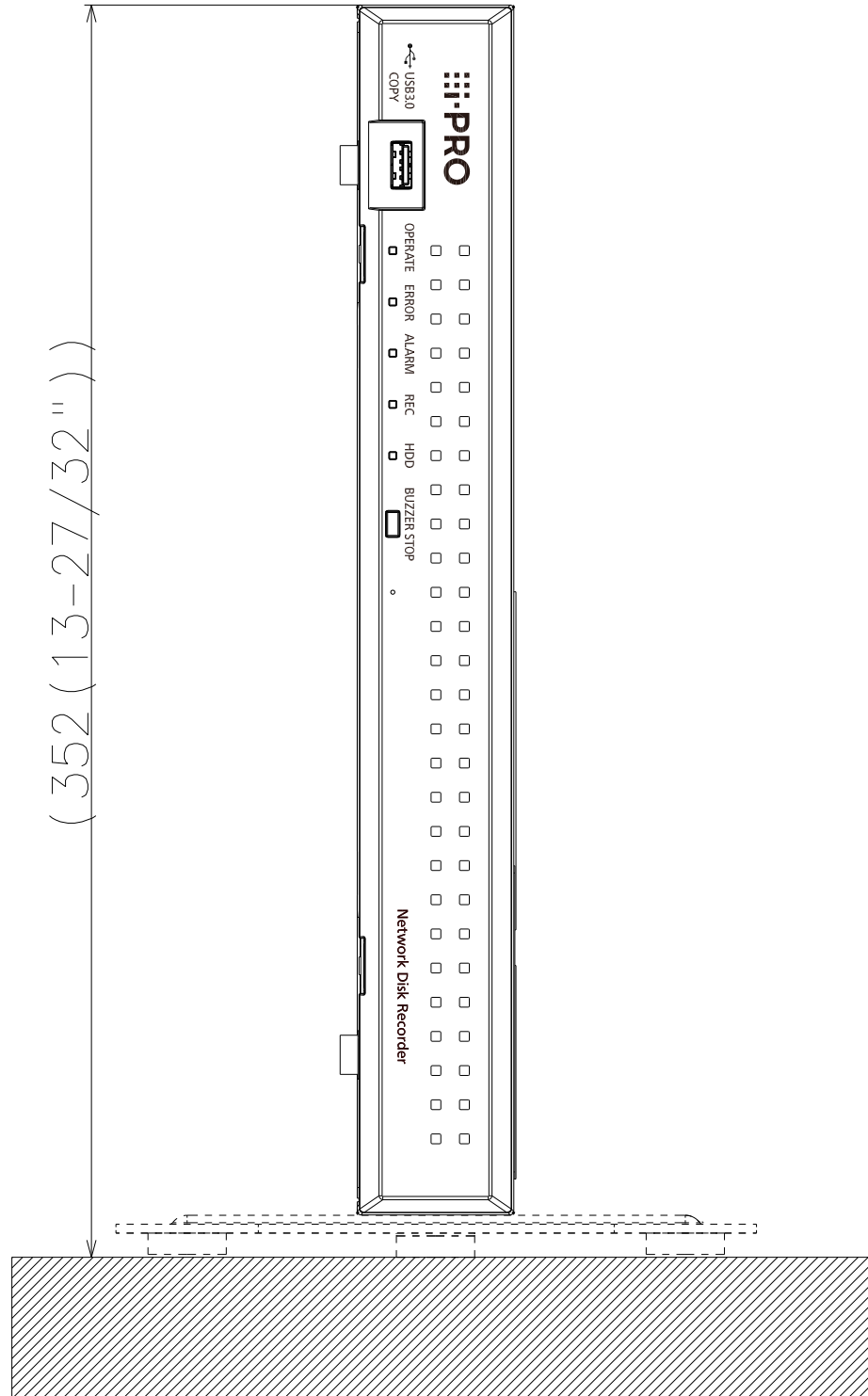
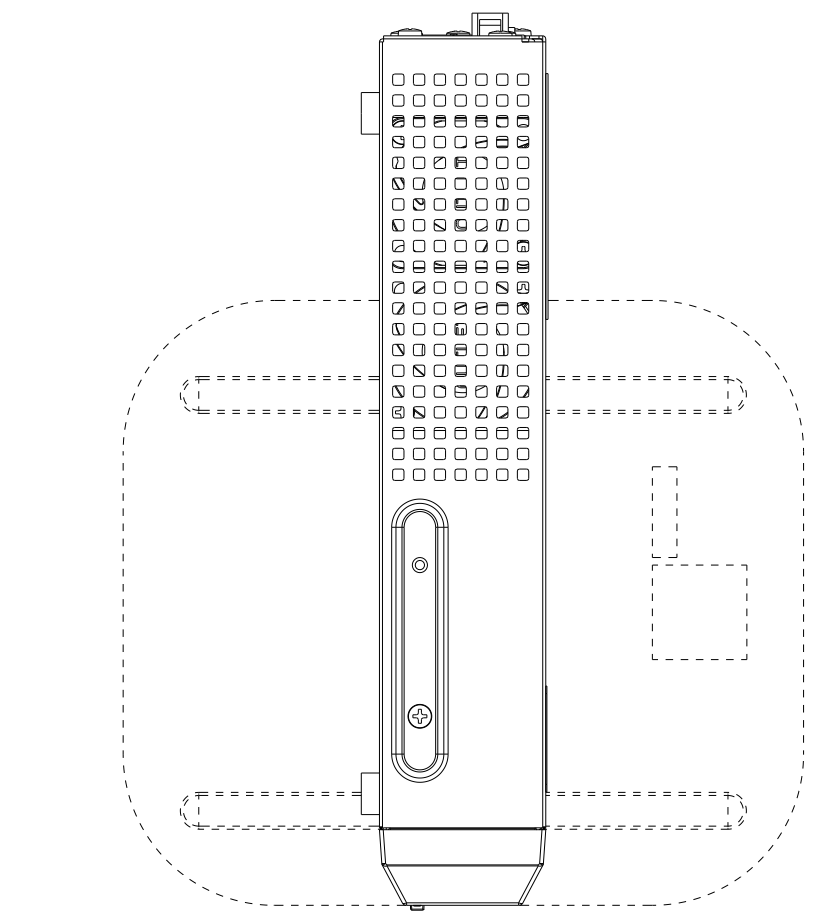
WJ-NU201KP
WJ-NU201KG

Desktop installation

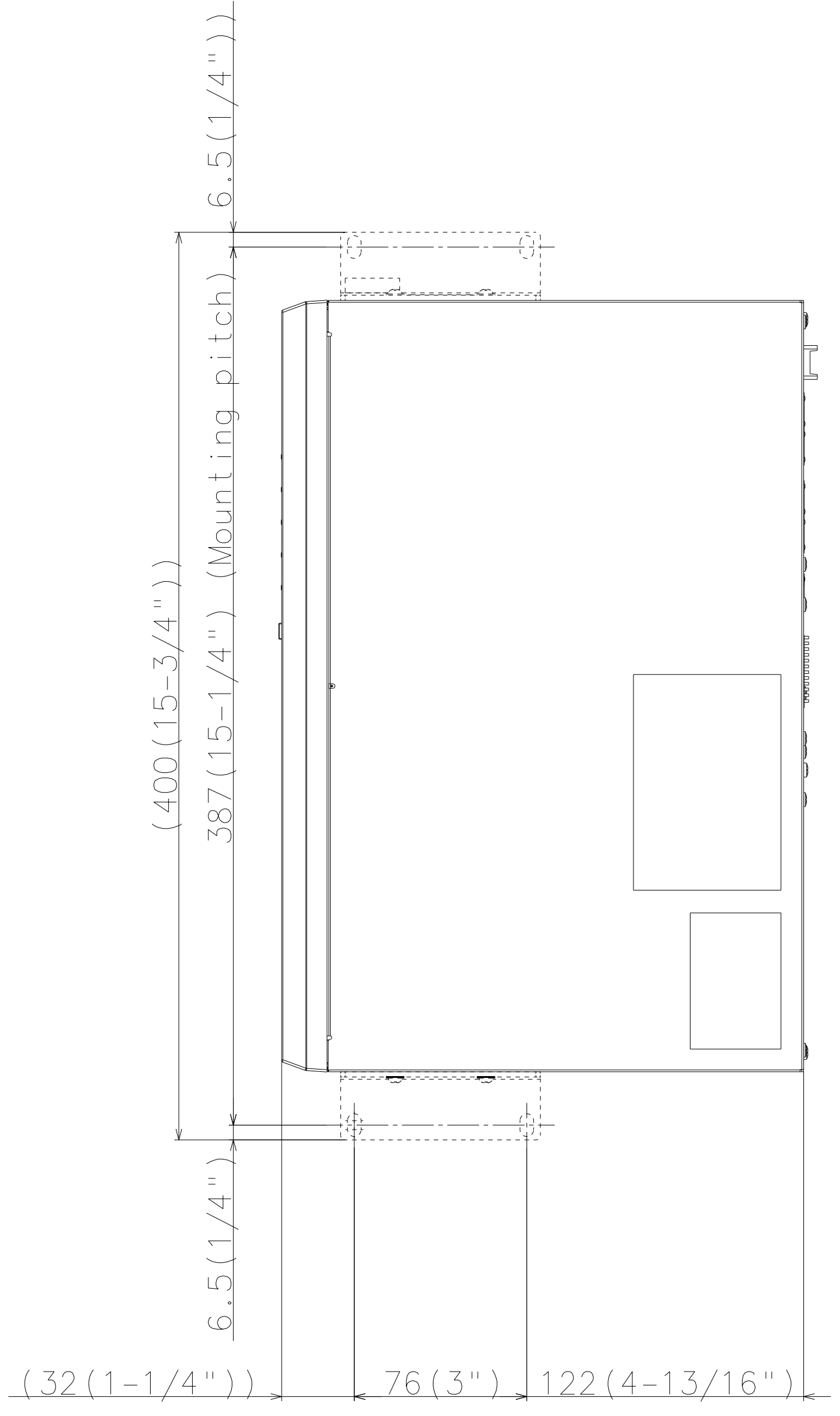
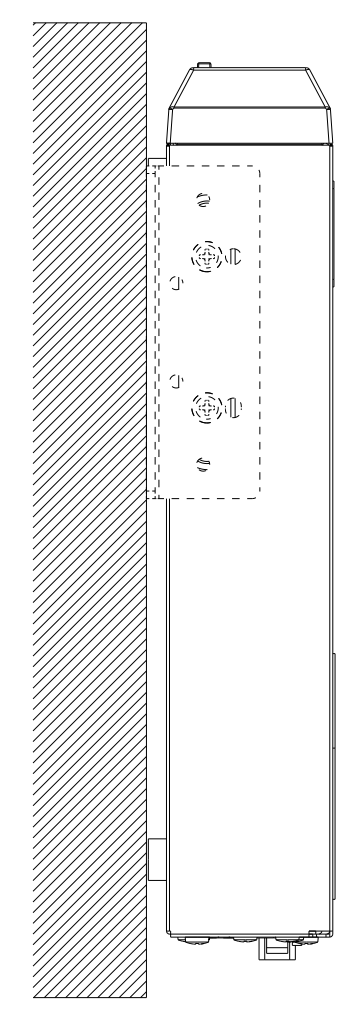
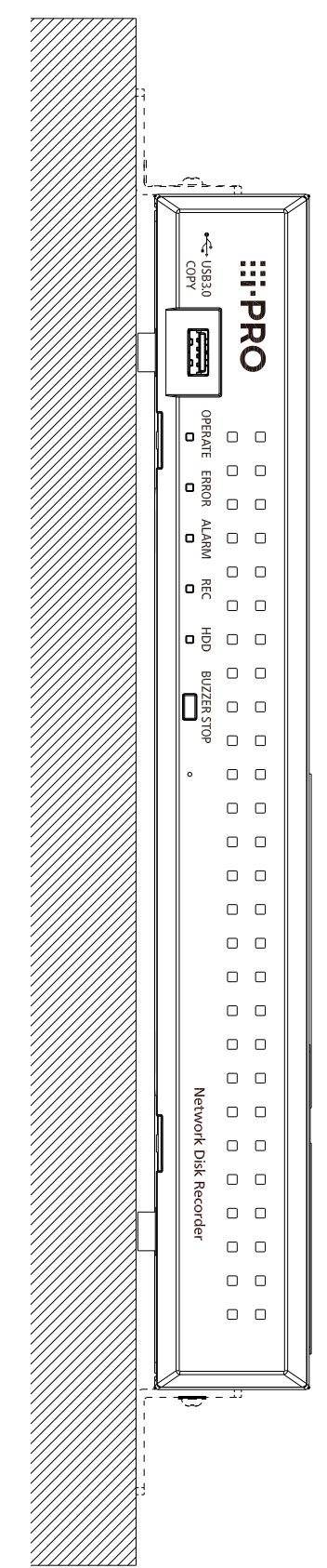
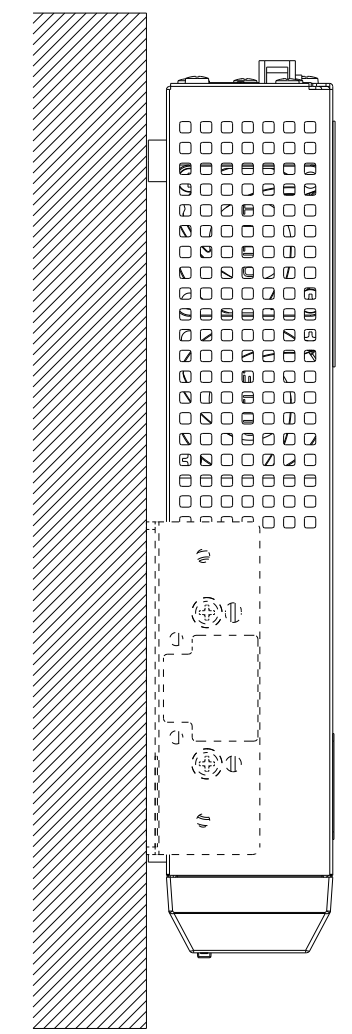
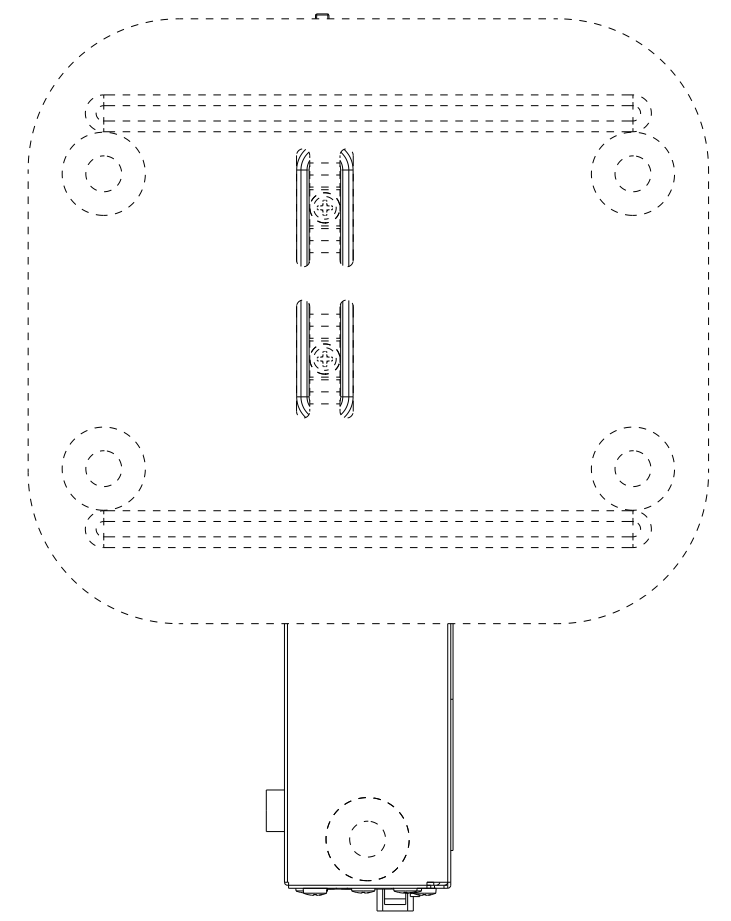


WJ-NU300KP
WJ-NU300KG

Desktop installation

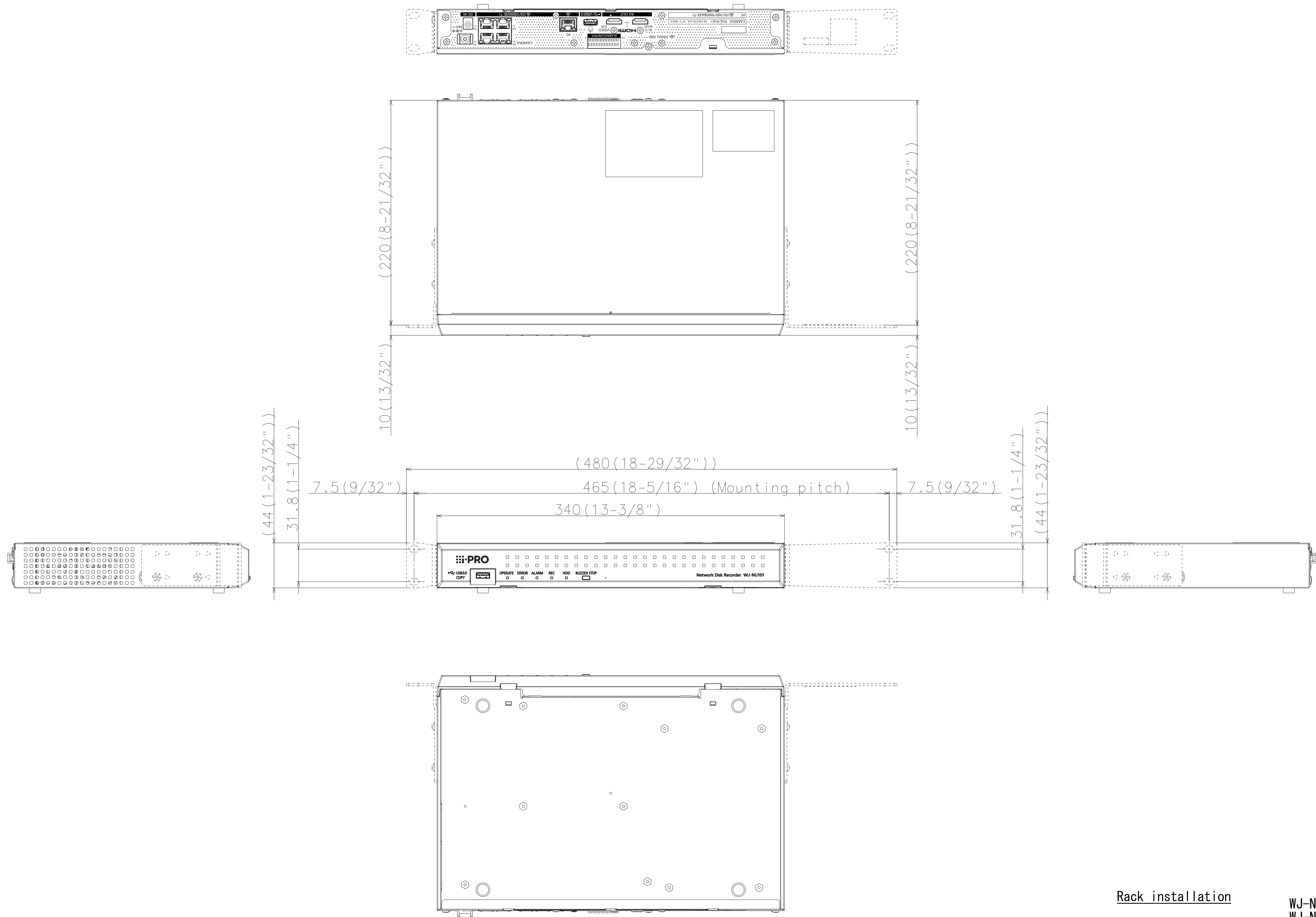


Vertical installation



Wall installation

- WJ-NU101KP
- WJ-NU101KG
- WJ-NU201KP
- WJ-NU201KG
- WJ-NU300KP
- WJ-NU300KG



Rack installation

- WJ-NU101KP
- WJ-NU101KG
- WJ-NU201KP
- WJ-NU201KG
- WJ-NU300KP
- WJ-NU300KG