

---

**S P E C F I L E**

---

**Product Number :** PT-**JX200HBU / JX200HWU**  
PT-**JX200GBE / JX200GWE**  
PT-**JX200GBD / JX200GWD**

**Product Name :** DLP™Projector

**Specifications**

**Main unit**

Power supply	PT-JX200HBU/JX200HBW : AC 120V 50/60Hz PT-JX200GBE/JX200GWE/JX200GBD/JX200GWD : AC 100 - 240V 50/60Hz									
Power consumption	PT-JX200HBU/JX200HBW : 240W(2.3A) PT-JX200GBE/JX200GWE/JX200GBD/JX200GWD : 240W(2.7 - 1.1A) Standby: 0.4W[HBU/HWU] 0.5W[GBE/GWE/GBD/GWD] in Eco mode Standby: 0.5W[HBU/HWU] 0.7W[GBE/GWE/GBD/GWD] in Network mode, Standby: 12 W in Normal mode (when fan is stopped)									
	<table border="0"> <tr> <td></td> <td style="text-align: center;">PT- JX200HBU/ JX200HWU</td> <td style="text-align: center;">PT- JX200GBE/JX200GWE/ JX200GBD/JX200GWD</td> </tr> <tr> <td>Standby(in Eco mode):</td> <td style="text-align: center;">0.4W</td> <td style="text-align: center;">0.5W</td> </tr> <tr> <td>Standby(in Network mode):</td> <td style="text-align: center;">0.5W</td> <td style="text-align: center;">0.7W</td> </tr> </table>		PT- JX200HBU/ JX200HWU	PT- JX200GBE/JX200GWE/ JX200GBD/JX200GWD	Standby(in Eco mode):	0.4W	0.5W	Standby(in Network mode):	0.5W	0.7W
	PT- JX200HBU/ JX200HWU	PT- JX200GBE/JX200GWE/ JX200GBD/JX200GWD								
Standby(in Eco mode):	0.4W	0.5W								
Standby(in Network mode):	0.5W	0.7W								
DLP® chip	0.55 (For screen aspect ratio of 4:3) DLP® chip x1, DLP® method 786,432 pixels (equivalent to XGA)									
Lens	Powered zoom (1.3 - 2.9:1), Powered focusing method F=2.0 - 2.7, f=15.2 mm - 32.7 mm									
Light source	Laser Diode (Laser class: Class 1*) *Class 3R for North America. Luminance life for set: 20,000 hours at half luminance 0.76–5.08 m (30–200 inches) (4:3 aspect ratio)									
Screen size	2,000 lumens									
Brightness*1	80%									
Center-to-corner uniformity*1	1,000:1 (Full white / Full black)									
Contrast*1	525p(480i): fH 15.7kHz; fV 59.9Hz; fclk 27.0MHz 625p(576i): fH 15.6kHz; fV 50.0Hz; fclk 27.0MHz 525p(480p): fH 31.5kHz; fV 59.9Hz; fclk 27.0MHz 625p(576p): fH 31.3kHz; fV 50.0Hz; fclk 27.0MHz 750(720)/60p: fH 45.0KHz; fV 60.0Hz; fclk 74.3MHz 750(720)/50p: fH 37.5KHz; fV 50.0Hz; fclk 74.3MHz 1125(1080)/60i; fH 33.8kHz; fV 60.0Hz; fclk 74.3MHz 1125(1080)/50i; fH 33.8kHz; fV 50.0Hz; fclk 74.3MHz 1125(1080)/60p; fH 67.5kHz; fV 60.0Hz; fclk 148.5MHz 1125(1080)/50p; fH 56.3kHz; fV 50.0Hz; fclk 148.5MHz 640x480(VGA60); fH 31.5kHz; fV 59.9Hz; fclk 25.2MHz 800x600(SVGA56): fH 35.2kHz; fV 56.3Hz; fclk 36.0Mhz 800x600(SVGA60): fH 37.9kHz; fV 60.3Hz; fclk 40.0MHz 1024x768(XGA60): fH 48.4KHz; fV 60.0Hz; fclk 65.0MHz 1280x1024(SXGA60): fH 64.0kHz; fV 60.0Hz; fclk 108.0MHz 1280x720/50: fH 37.1kHz; fV 49.8Hz; fclk 60.5MHz 1280x720/60: fH 44.8kHz; fV 59.9Hz; fclk 74.5MHz 1280x768/50: fH 39.6kHz; fV 49.9Hz; fclk 65.3MHz 1280x768/60: fH 47.8kHz; fV 59.9Hz; fclk 79.5MHz 1280x800/50: fH 41.3kHz; fV 50.0Hz; fclk 68.0MHz 1280x800/60: fH 49.7kHz; fV 59.8Hz; fclk 83.5MHz 1600x900/50: fH 46.4kHz; fV 49.9Hz; fclk 96.5MHz 1600x900/60: fH 56.0kHz; fV 59.9Hz; fclk 118.3MHz									
Scanning frequency (HDMI input)										
Optical axis shift	Vertical: Fixed at 33% (1:2)									
Keystone correction range	Vertical: Max. ±40°, Horizontal: Max. ±40° (Max. values in each direction only) With corner keystone function (Correction within above range)									
Installation	Front/Rear (Vertical flip display can be turned on or off using "Vertical Flip")									
Terminals	HDMI IN HDMI 19-pin x1, Compatible with HDCP, Audio signal: linear PCM (sampling frequencies: 48 kHz, 44.1 kHz, 32 kHz) AUDIO OUT M3 x 1 (monitor out, stereo) 0–2.0 Vrms, variable, output impedance: 2.2 kilohms or less LAN RJ-45 x 1 for network connection 10Base-T/100Base-TX, PLink™ DC OUT USB Type A x 1, for power supply (DC5 V, max 900 mA)									

**DLP™ Projector PT-JX200HBU/JX200HWU/JX200GBE/JX200GWE/JX200GBD/JX200GWD**

Wireless LAN	Compliance	PT-JX200HBU/JX200HBW
	Mirroring mode	IEEE802.11b/g/n:2.412GHz-2.462GHz IEEE802.11a/n:5.180GHz-5.240GHz, 5.745GHz-5.805GHz
	M-Direct mode	IEEE802.11b/g/n:2.412GHz-2.472GHz IEEE802.11a/n:5.180GHz-5.240GHz, 5.745GHz-5.825GHz
	User mode	IEEE802.11b/g/n:2.412GHz-2.472GHz IEEE802.11a/n: 5.180GHz-5.240GHz, 5.260GHz-5.320GHz 5.500GHz-5.700GHz(except 5.600GHz-5.650GHz) 5.745GHz-5.825GHz
		PT-JX200GBE/JX200GWE/JX200GBD/JX200GWD
	Mirroring mode	IEEE802.11b/g/n:2.412GHz-2.462GHz IEEE802.11a/n:5.18GHz-5.240GHz
	M-Direct/User mode model	IEEE802.11b/g/n:2.412GHz-2.472GHz IEEE802.11a/n:5.18GHz-5.240GHz
	Wireless channels used	
		PT-JX200HBU/JX200HBW
	Mirroring mode	IEEE802.11b/n/g:1-11 channel IEEE802.11a/n:36/40/44/48/149/153/157/161 channel
	M-Direct mode	IEEE802.11b/n/g:1-11 channel IEEE802.11a/n:36/40/44/48/149/153/157/161/165 channel
	User mode	IEEE802.11b/n/g:1-11 channel(Active scanning) IEEE802.11a/n:36/40/44/48 channel(Active scanning) 52/56/60/64 channel(Passive scanning) 100/104/108/112/116/132/136/140 channel(Passive scanning) IEEE802.11a/n:149/153/157/161/165 channel(Active scanning)
		PT-JX200GBE/JX200GWE/JX200GBD/JX200GWD
	Mirroring mode	IEEE802.11b/n/g:1-11 channel IEEE802.11a/n:36/40/44/48 channel
	M-Direct/User mode model	IEEE802.11b/n/g:1-13 channel IEEE802.11a/n:36/40/44/48 channel
	Transmission distance	Approx. 30 m (However, varies depending on the operating environment)
Card slot		SD card slot x 1 (SDHC memory card compatible) Operation checked for Panasonic SD memory cards up to 2 GB capacity and Panasonic SDHC memory cards up to 32 GB capacity
Cabinet materials		Molded plastic
Dimensions	Projection Unit (ø x L)	ø170 x 278.8 mm (6-11/16 x 10-31/32 inches)
	Power Unit (L x H x D)	PT-JX200HBU/JX200HBW 464.5 x 69.5 x 84 mm (18-9/32 x 2-3/4 x 3-5/16 inches) PT-JX200GBE/JX200GWE/JX200GBD/JX200GWD 443.6 x 78.3 x 84 mm (17-15/32 x 3-3/32 x 3-5/16 inches) (without adaptor) 471-491 x 83.4 x 84 mm (18-17/32 - 19-11/32 x 3-9/32 x 3-5/16 inches) (with adaptor)
Weight		Approx. 4.5Kg (9.9lbs)
Operation noise		33 dB (Light source: in Normal mode) 30 dB (Light source: in ECO mode)
Operating environment	Operating temperature*2	0-40°C (32-104°F) (Less than 1,000m (3,281 ft) above sea level) 0-35°C (32-95°F) (Less than 1,000m (3,281 ft) to 2,700m (8,858 ft) above sea level)
	Operating humidity	10%-80% (no condensation)
<b>Remote control unit</b>		
	Power supply	3 V DC (R03/LR03/AAA type battery x 2)
	Operation range	Approx. 7 m (22 ft 12 in) when operated from directly in front of the signal receptor
	Dimensions (W x H x D)	44 x 105 x 20.5 mm (1-23/32 x 4-1/8 x 13/16inches)
	Weight	Approx. 63 g (2.2 oz) (including batteries)
<b>Supplied accessories</b>		
	Wireless remote control unit (x 1)	Batteries for remote control (R03/AAA type x 2)
	Software CD-ROM (Multi Monitoring & Control Software for Windows, Wireless Manager ME6.3 for Windows/Mac) (x 1)	
	Card slot cap (x 1)	HDMI terminal cap (x 1)
	LAN terminal cap (x 1)	Allen wrench (x 1)
	Adaptor (x 1)	Adaptor cover (x 1)
	Connector secure lock (x 1)	Safety wire (x 1)
	String (x1)	

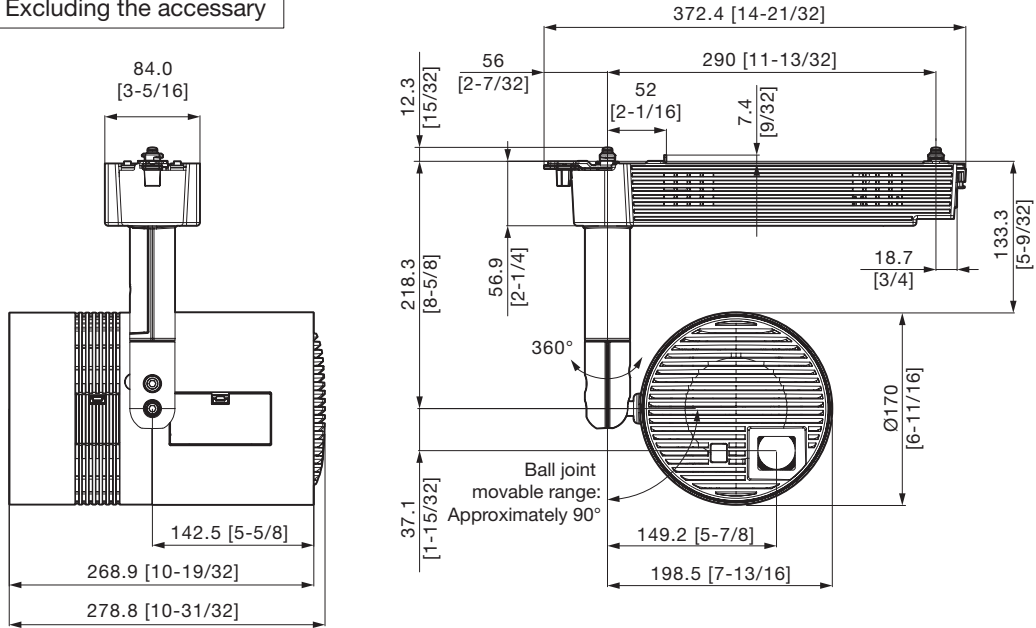
\*1 Measurement, measuring conditions, and method of notation all comply with ISO/IEC 21118 : 2012 international standards.

\*2 Limits the luminance when used in locations from 0m to 1,000m (0ft to 3,281ft) above sea level at ambient temperatures of 35°C (95°F) or higher, or from 1,000m to 2,700m (3,281ft to 8,858ft) above sea level at ambient temperatures of 30°C (86°F) or higher.

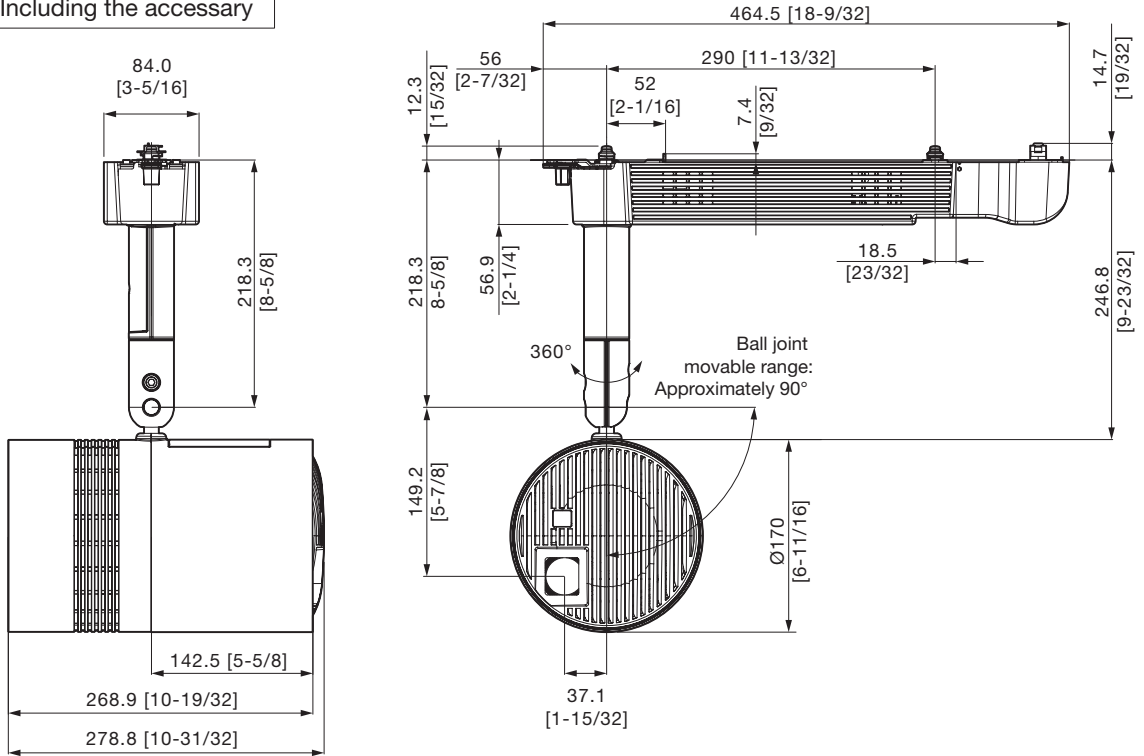
Dimensions

PT-JX200HBU/JX200HWU

Excluding the accessory



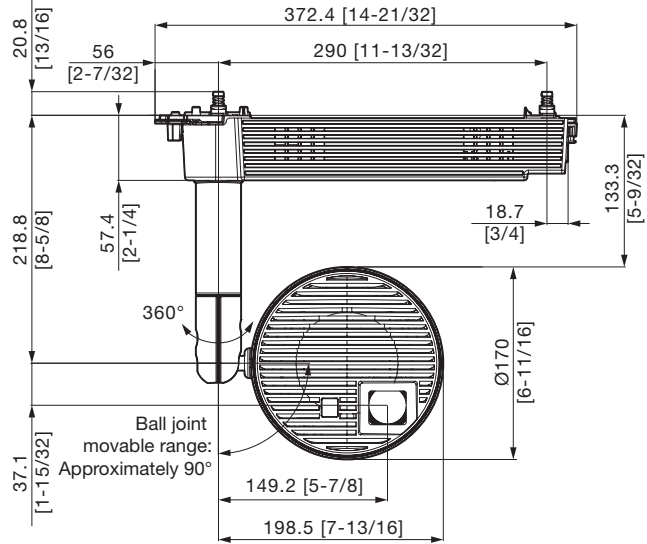
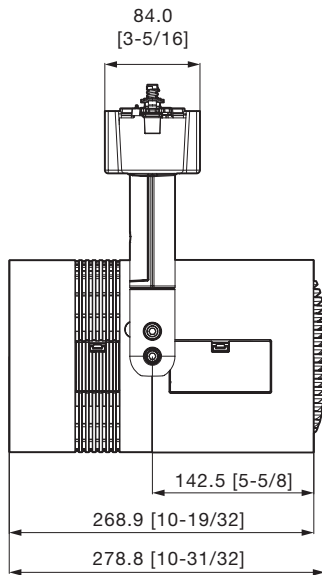
Including the accessory



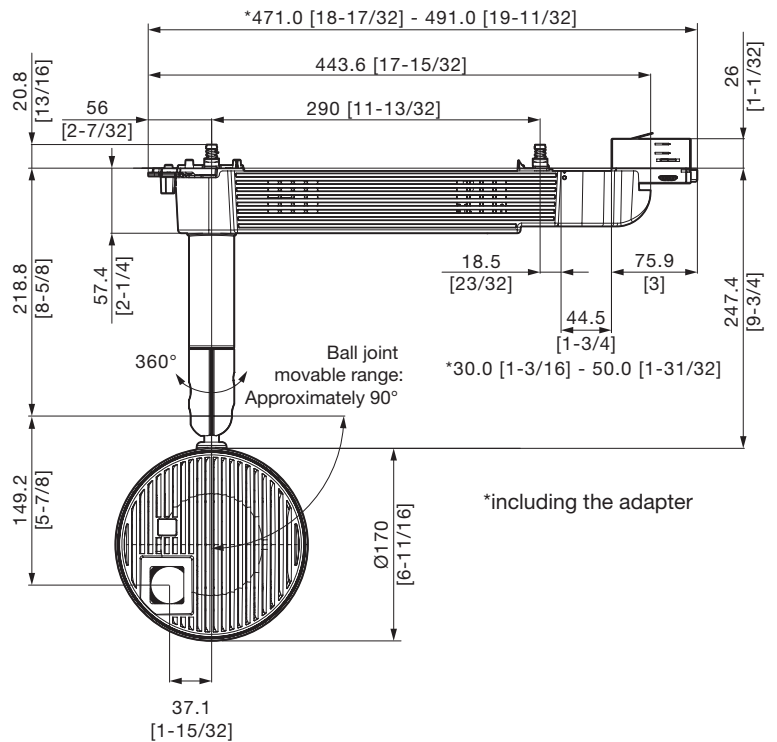
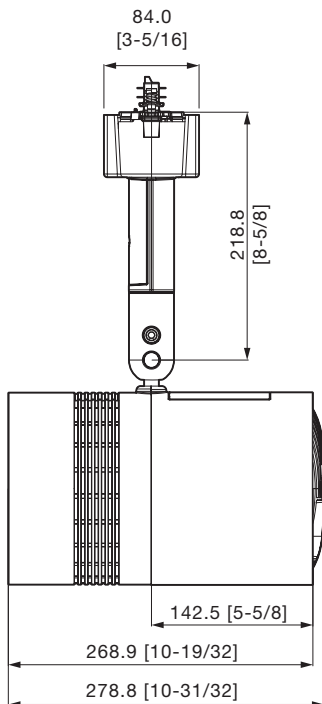
**Dimensions**

**PT-JX200GBE/JX200GWE/JX200GBD/JX200GWD**

Excluding the accessory

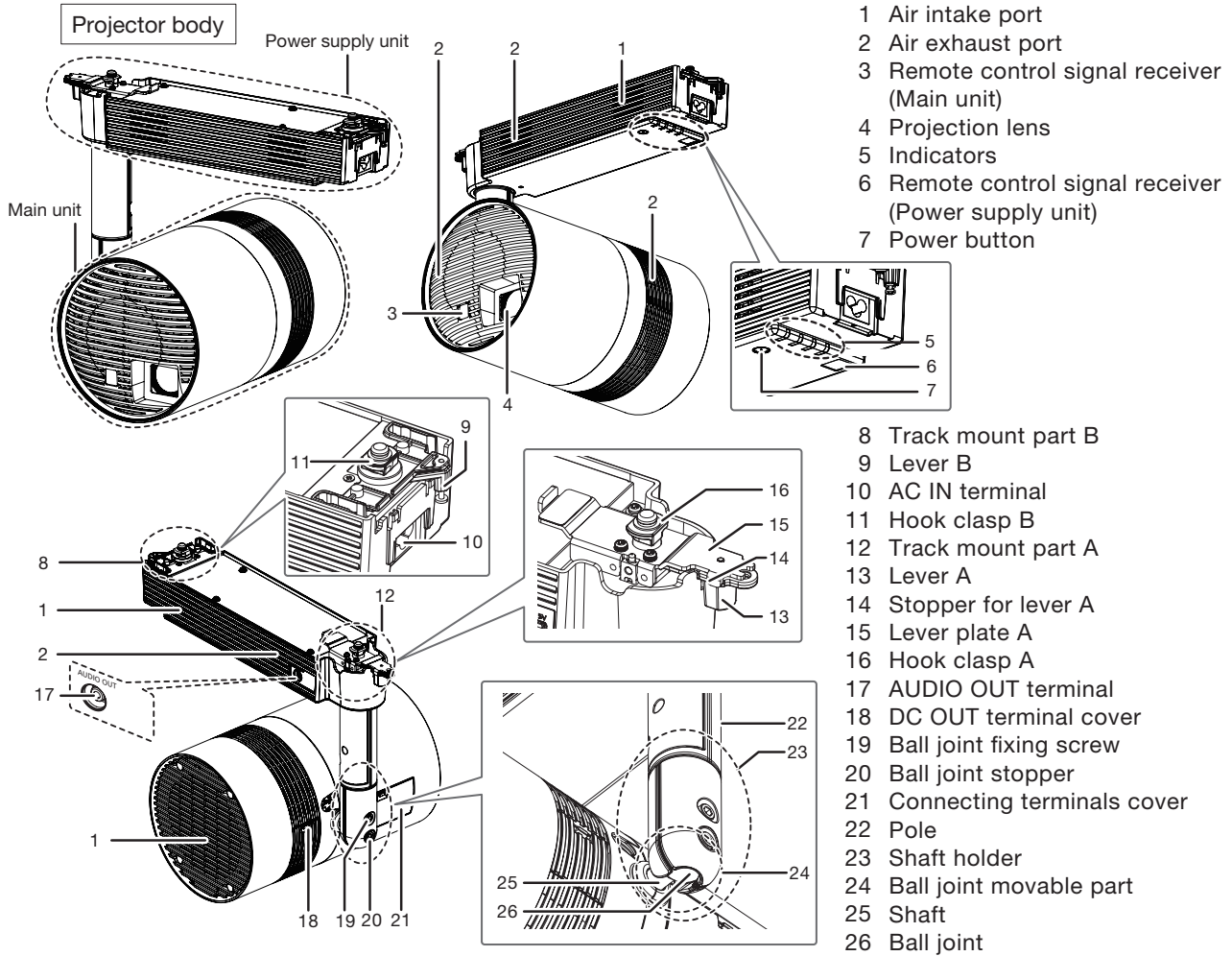


Including the accessory

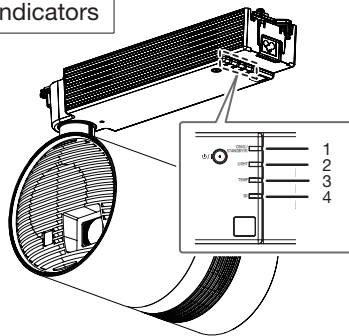


**Name of Parts**

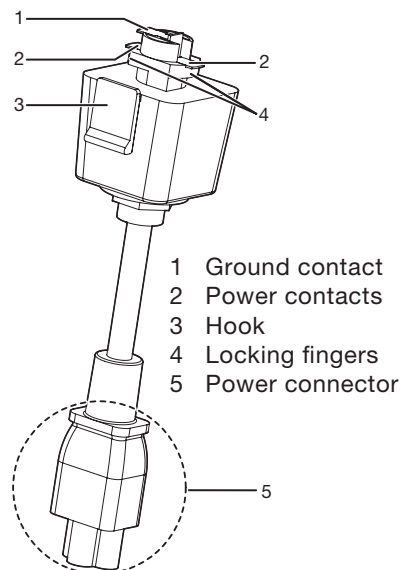
**PT-JX200HBU/JX200HMU**



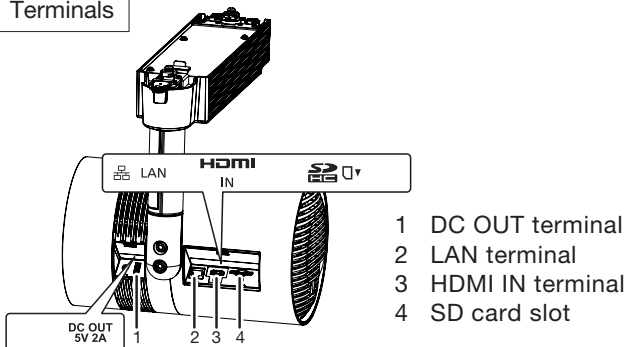
**Indicators**



**Adapter**

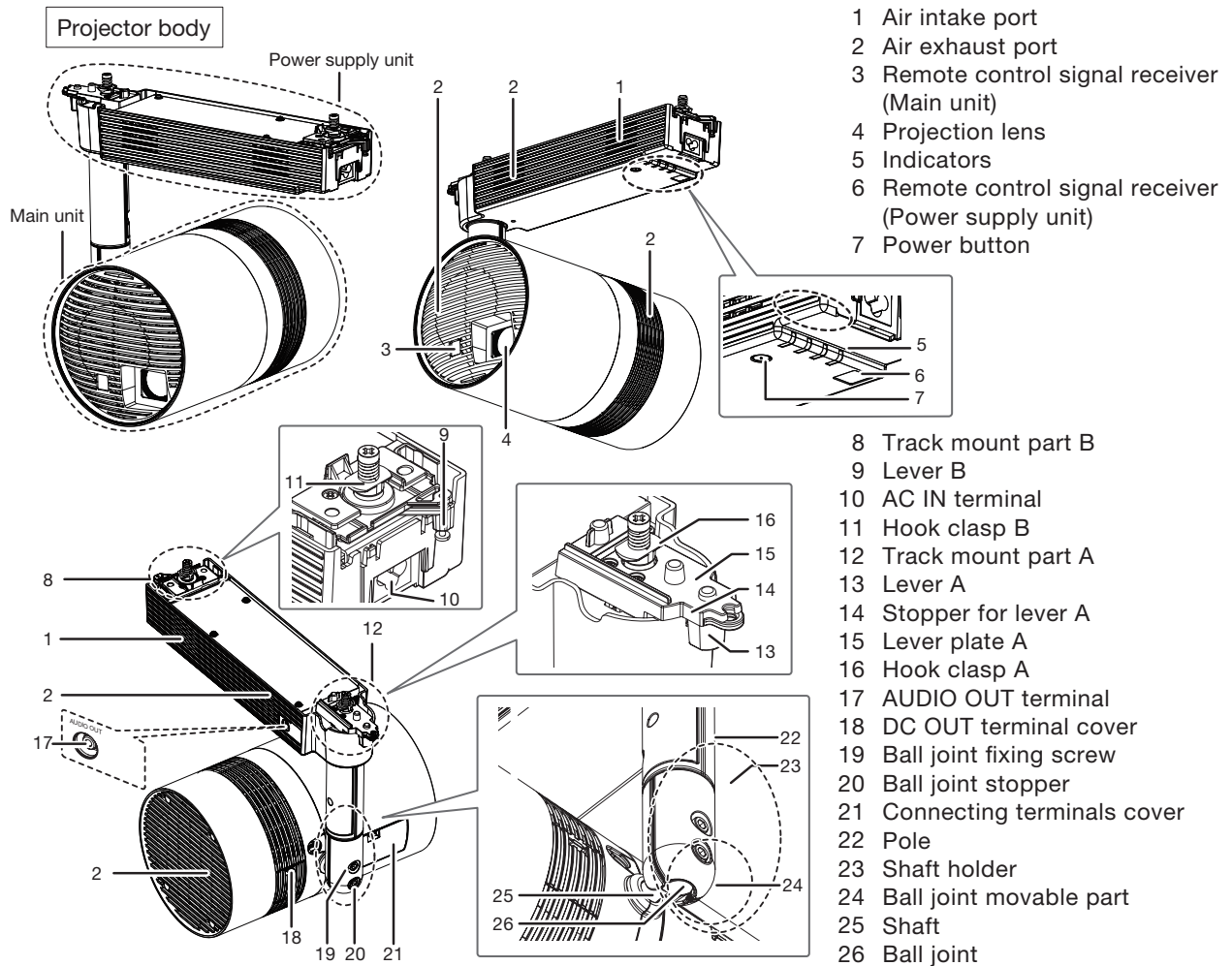


**Terminals**

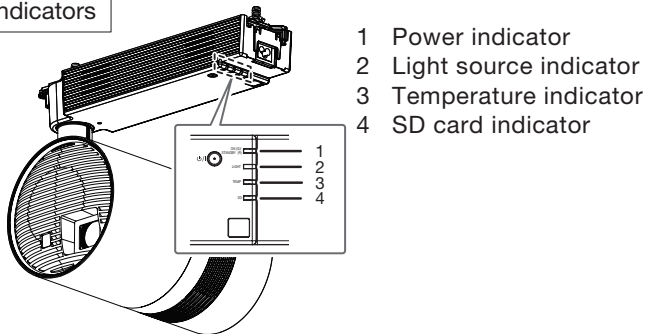


**Name of Parts**

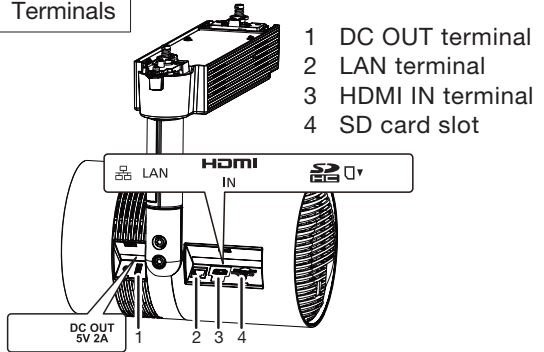
**PT-JX200GBE/JX200GWE/JX200GBD/JX200GWD**



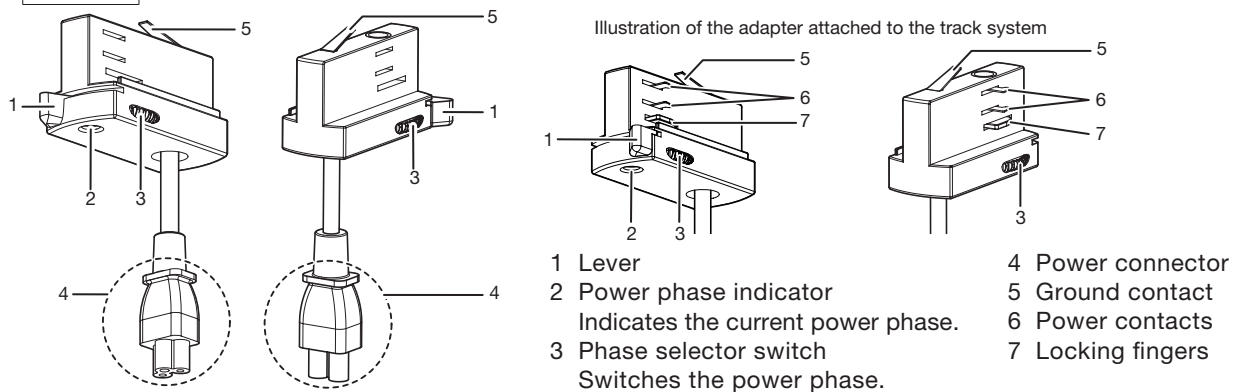
**Indicators**



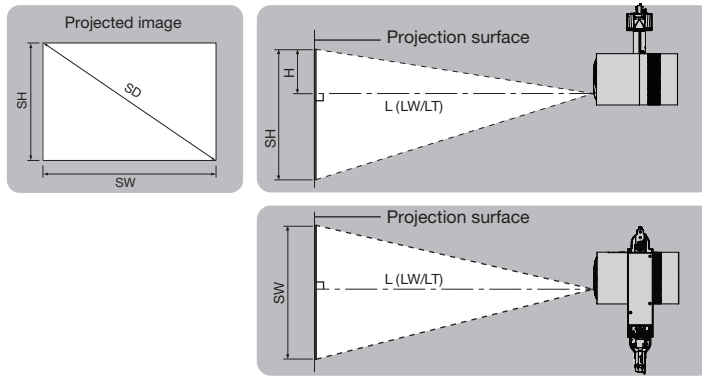
**Terminals**



**Adapter**



**Projection dimension diagrams**



L(LW/LT)*	Projection distance (Distance from surface of projection lens to projection surface) (m)
SH	Image height (m)
SW	Image width (m)
SD	Diagonal screen size (m)
H	Distance from the lens center to the image upper end (m)

This illustration is not drawn to scale.

**NOTE:**

- To maintain performance and ensure safety, the work of installing the projector to a ceiling should be carried out by the place of purchase or a properly-qualified technician.
- Install to a wiring duct which is directly installed to a horizontal ceiling and which can bear the full weight of the projector.

**Projection distance for 4:3 aspect ratio screen**

unit: meters (feet)

Projection size			Projection distance		Distance from the lens center to the image upper end [H]
diagonal [m] [in]	height [SH]	width [SW]	Min [LW]	Max [LT]	
0.76 / 30	0.46 (1.5)	0.61 (2.0)	0.79 (2.6)	1.75 (5.7)	0.15 (0.5)
1.02 / 40	0.61 (2.0)	0.81 (2.7)	1.06 (3.5)	2.35 (7.7)	0.20 (0.7)
1.27 / 50	0.76 (2.5)	1.02 (3.3)	1.34 (4.4)	2.94 (9.6)	0.25 (0.8)
1.52 / 60	0.91 (3.0)	1.22 (4.0)	1.62 (5.3)	3.54 (11.6)	0.31 (1.0)
1.78 / 70	1.07 (3.5)	1.42 (4.7)	1.89 (6.2)	4.14 (13.6)	0.36 (1.2)
2.03 / 80	1.22 (4.0)	1.63 (5.3)	2.17 (7.1)	4.73 (15.5)	0.41 (1.3)
2.29 / 90	1.37 (4.5)	1.83 (6.0)	2.45 (8.0)	5.33 (17.5)	0.46 (1.5)
2.54 / 100	1.52 (5.0)	2.03 (6.7)	2.72 (8.9)	5.92 (19.4)	0.51 (1.7)
3.05 / 120	1.83 (6.0)	2.44 (8.0)	3.28 (10.8)	7.12 (23.4)	0.61 (2.0)
3.81 / 150	2.29 (7.5)	3.05 (10.0)	4.10 (13.5)	8.90 (29.2)	0.76 (2.5)
5.08 / 200	3.05 (10.0)	4.06 (13.3)	5.48 (18.0)	11.88 (39.0)	1.02 (3.3)

**NOTE:**

- The value for L (distance to screen) varies slightly within ±5% depending on the zoom lens characteristics.
- The zoom lens characteristics may cause slight image distortion.
- When vertical keystone correction is used, the image is corrected in the direction that reduces its projected size.
- The brightness varies depending on the zoom setting.

**Calculation of the projection distance**

For a screen size different from the above, use the equation below to calculate the projection distance.

Aspect ratio 4:3

Minimum projection distance  $L = (\text{diagonal screen size in meters}) \times 1.0907 - 0.0507$

Maximum projection distance  $L = (\text{diagonal screen size in meters}) \times 2.3468 - 0.0379$

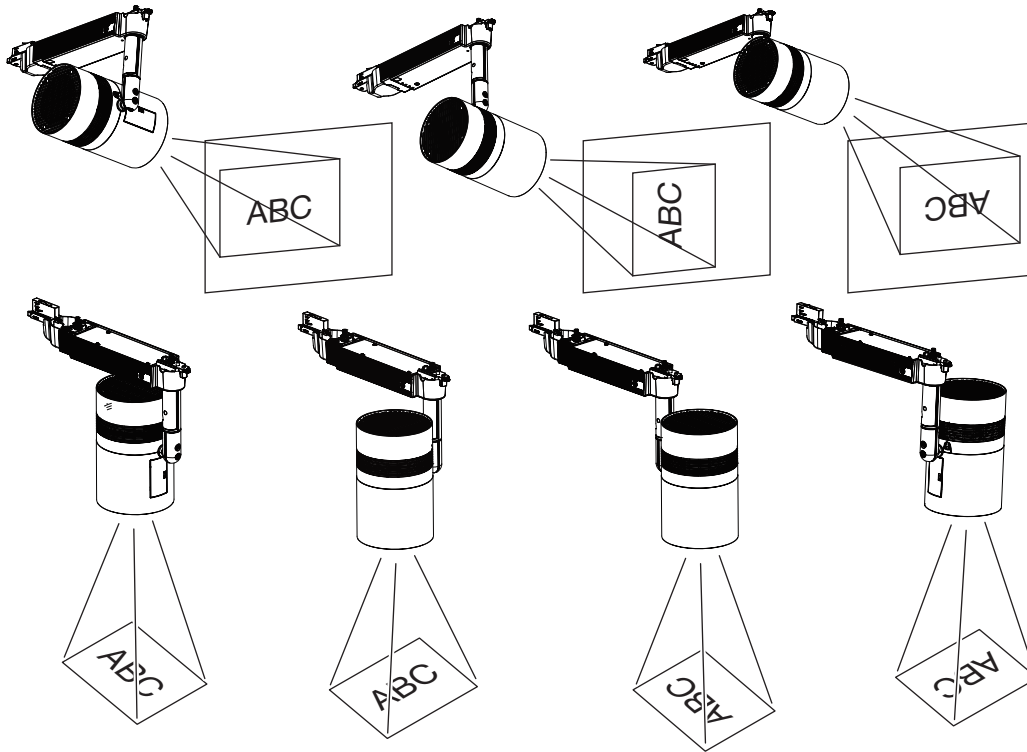
**NOTE:**

- Distances calculated with the above equations will include slight deviations.



**Projection direction**

The diagrams below show examples with "Projection method" set to "Front" and "Flip Vertical" set to "Off".



**List of compatible signals**

Following are the HDMI input image signals which this projector is able to project.

Display mode	Display resolution (dots)	Scanning frequency H (kHz)	V (Hz)	Dot clock frequency (MHz)	Plug and Play*
525 (480) /60i	1440(720) x 480	15.7	59.9		—
625 (576) /50i	1440(720) x 576	15.6	50.0		—
525p (480) /60p	720 x 483	31.5	59.9	27.0	✓
625p (576) /50p	720 x 576	31.3	50.0		✓
750 (720) /60p	1280 x 720	45.0	60.0		✓
750 (720) /50p		37.5	50.0		✓
1125 (1080) /60i	1920 x 1080	33.8	60.0	74.3	✓
1125 (1080) /50i		28.1	50.0		✓
1125 (1080) /60p		67.5	60.0	148.5	✓
1125 (1080) /50p		56.3	50.0		✓
640 x 480	640 x 480	31.5	59.9	25.2	✓
800 x 600	800 x 600	35.2	56.3	36.0	✓
		37.9	60.3	40.0	✓
1024 x 768	1024 x 768	48.4	60.0	65.0	✓
1280 x 720	1280 x 720	37.1	49.8	60.5	—
		44.8	59.9	74.5	—
1280 x 768	1280 x 768	39.6	49.9	65.3	—
		47.8	59.9	79.5	—
1280 x 800	1280 x 800	41.3	50.0	68.0	—
		49.7	59.8	83.5	✓
1280 x 1024	1280 x 1024	64.0	60.0	108.0	—
1600 x 900	1600 x 900	46.4	49.9	96.5	—
		56.0	59.9	118.3	—

\* Signals with a ✓ in the Plug and play columns are signals described in EDID (extended display identification data) of the projector. If a signal has no ✓ in the Plug and play columns but has an entry in the Format column, it can be input. For signals without a ✓ in the Plug and play columns, there are instances when resolution cannot be selected on the computer even though the projector supports them.

**NOTE:**

For some types of image signal, the image processing which is carried out may cause deterioration in the projected images.

**Images that can be played back by the memory viewer function**

This projector can play back the following still images and video files.

Still images	Extension	Format	Limitations
	jpg/jpeg	JPEG	Resolution: Max. 8000 x 8000 (Max. 4096 x 4096 for progressive format) YUV format: Only compatible with YUV444, YUV422 and YUV411. Color mode: Only compatible with RGB
bmp	Windows Bitmap	Resolution: Max. 2000 x 2000 (Compatible with 1-bit, 8-bit, 16-bit, 24-bit, 32-bit) The following formats are not compatible with this projector. Run-length encoding, bit field, top-down, transparent data	

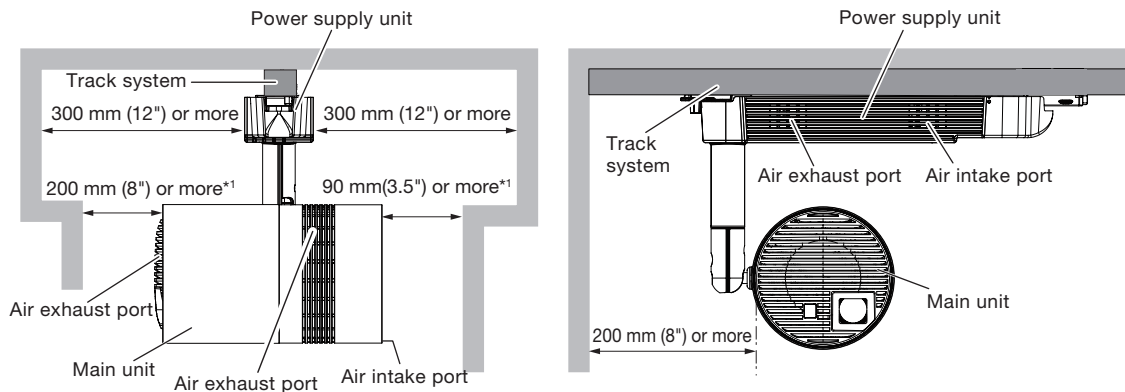
  

Video	Extension	Codec		Limitations	
		Images	Audio	Images	Audio
	mov	H.264/MPEG-4 AVC Motion JPEG	AAC Linear PCM	Resolution: Max. 1920 x 1080 Min. 240 x 180 Frame rate: Max. 30 fps Bit rate: Max. 40 Mbps	Sampling rate: Max. 48 kHz (Max. 16 kHz for linear PCM) Channels: Max. 2 channels Bit rate: Max. 384 Kbps
avi	H.264/MPEG-4 AVC Motion JPEG MPEG-4	MPEG-1/2 Audio Layer-3 (MP3) AAC Linear PCM			
mp4	H.264/MPEG-4 AVC Motion JPEG	AAC MPEG-4 AAC-LC			
mpg/mpeg	MPEG-2	MPEG-1/2 Audio Layer-2			
wmv	WMV9	WMA			

- The following video files are not compatible with this projector.
- Image codec is WMV7, WMV8, DivX or Xvid
  - Uncompressed images
  - Multi-angle images
  - Profile is Advanced Simple Profile @ Level 0 or Advanced Simple Profile @ Level 1

**Notes on projector placement and operation**

- Do not block the ventilation ports (intake and exhaust) of the projector.
- Prevent hot and cool air from the air conditioning system to blow directly to the ventilation ports (intake and exhaust) of the projector.



\*1 Distance from the wall or ceiling surface which will block the whole air intake & Air exhaust port

- Do not install the projector in a confined space.  
When installing the projector in a confined space, provide air conditioning or ventilation separately.  
Exhaust heat may accumulate when the ventilation is not enough, triggering the protection circuit of the projector.
- DLP, DLP logo are trademarks or registered trademarks of Texas Instruments.
- HDMI, the HDMI logo and High-Definition Multimedia Interface are trademarks or registered trademarks of HDMI Licensing LLC in the United States and other countries.
- PJLink™ is a registered trademark or pending trademark in Japan, the United States, and other countries and regions.  
Furthermore, all other trademarks and product trademarks are the property of their respective owners even if not explicitly stated.